

SINCE 1971...

There's something about the spirit of the people that work at Cannondale.

It's a mindset that's fiercely competitive. Not so much with other bicycle companies or the various disciplines of the sport. But rather with an invention that, in its simplest form, hasn't changed for more than 150 years.

Today, we live and ride in a world where millimeters and grams can make a difference. The expansion of a tube here and the machining away of a gram there can be significant in how a bike performs.

Performance at this level requires starting every project with a blank sheet of paper where standards don't exist.

Sometimes our creations might look different in order to make them perform better. We find that the term 'conventional wisdom' is not appropriate to our goals.

We like to think that our struggle with form and function, millimeters and grams can make a difference. When executed correctly, fresh bike designs can put more "butts on bikes". And that's better for everybody involved.

These are the things we fight for.

It's a good fight.



OPTIMIZED FOR
CARBONDALE
FACTORY RACING

LEFTY.

The Last Word in Suspension. So revolutionary that it still turns heads more than 10 years after it was released. The Lefty continues to gain converts and gather accolades because it is a no-holds-barred performer. It is, in fact, the last word in suspension: Stiffer and lighter than the competition, the Lefty outperforms every other fork in its class.



HOLLOWGRAM.

Lighter. Better. Faster. Stronger. At 570 grams, the Hollowgram Si SL could be the difference in a bunch sprint or alpine climb. It remains the lightest production crankset in the industry and boasts the best stiffness-to-weight numbers of any crank available today.



S.A.V.E.

Ride Longer. Ride Faster. Ride More. Cannondale S.A.V.E. stays are organically shaped to function like a micro-suspension system, absorbing road vibrations without sacrificing the lateral stiffness needed for pedaling efficiency. The result is improved comfort, improved control and increased enjoyment. Road, MTB and recreational cyclists can ride longer or ride more, and multisport athletes come off the bike fresher for the run. S.A.V.E. yourself!



BB30.

Oversized Matters. First we revolutionized BB size for ourselves. Then we did it for the industry. Put simply, we freely released our BB30 standard to the rest of the industry so that riders everywhere could benefit from the improved torsional resistance and increased power transfer. Lighter and stiffer than other systems, the BB30 is the barometer of bottom bracket performance.



ROAD.
RACE READY.

SUPERSIX

A REVOLUTION HITS THE ROAD.
Pellizotti won the Tour de France KOM aboard one. The unmatched power transfer on the new SuperSix made Pelli's run possible.



Crank Options:
 Cannondale Hollowgram SL BB30 Double, 53/39;
 Includes Compact 50/34 rings, spider and locking tool

- 1 STIFFNESS-TO-WEIGHT:**
 Cannondale's engineers have again shaved weight without sacrificing stiffness, making the new SuperSix an extraordinarily efficient road machine. For riders, the SuperSix wastes none of their energy.
- 2 POWER TRANSFER:**
 The SuperSix uses matching-radius overwraps on the massively oversized BB shell and chain stays. The design does away with flexy lugs and maximizes carbon contact surfaces – resulting in superior power transfer.
- 3 COMPLIANCE:**
 Some carbon frames ride like dead wood. Cannondale perfected 'lively' ride feel with alloy frames and have injected carbon frames with the same ride qualities via our proprietary layup methods. Snappy, responsive frames instantly transmit pavement conditions for improved road manners and performance.

SUPERSIX HI-MOD ULTIMATE

Matte Carbon w/White accents (matte) (CRB).

Frame SuperSix Hi-MOD Carbon BB30	Shifters SRAM Red, 10 speed	Brakes Zero Gravity, Zero G Ti
Fork SuperSix Hi-MOD full carbon fork	Rear Derailleur SRAM Red, 10 speed	Tires Schwalbe Custom Ultrero Tubulars, 700 x 21c
Wheels DT Swiss RRC425F, RRC525R Carbon Tubulars	Crank Cannondale Hollowgram SL BB30, 53/39, SRM	Sizes 48, 50, 52, 54, 56, 58, 60, 63cm



SUPERSIX HI-MOD TEAM

Liquigas Team (gloss) (LIQ).

Frame SuperSix Hi-MOD Carbon BB30	Shifters Campagnolo Super Record Carbon ErgoShifters, 11 speed	Brakes Campagnolo Super Record Skeleton
Fork SuperSix Hi-MOD full carbon fork	Rear Derailleur Campagnolo Super Record, 11 speed	Tires Schwalbe Ultramo, 700 x 23c, foldable
Wheels Mavic Cosmic Carbon SLR clincher	Crank Cannondale Hollowgram SL BB30, 53/39, SRM	Sizes 48, 50, 52, 54, 56, 58, 60, 63cm



Crank Option:
Cannondale Hollowgram SL
BB30 Double, 53/39 FSA
Campy 11s Rings.



Crank Option:
Cannondale Hollowgram SL
BB30 Compact, 50/34
Campy 11s Rings



SUPERSIX HI-MOD DI2

Race Red, Jet Black w/White accents (gloss) (RED).

Frame SuperSix Hi-MOD Carbon, Di2 Compatible	Shifters Shimano Di2, 10 speed	Brakes Shimano Dura-Ace 7900
Fork SuperSix Hi-MOD full carbon fork	Rear Derailleur Shimano Di2, 10 speed	Tires Schwalbe Ultramo, 700 x 23c, foldable
Wheels Mavic Ksyrium SL, black	Crank Shimano Dura-Ace 7900 Double, 53/39	Sizes 48, 50, 52, 54, 56, 58, 60, 63cm



Crank Option:
Shimano Dura Ace 7900
Compact, 50/34



SUPERSIX HI-MOD 1

Race Red, Jet Black w/White accents (gloss) (RED).

Frame SuperSix Hi-MOD Carbon BB30	Shifters Shimano Dura-Ace 7900, 10 speed	Brakes Shimano Dura-Ace 7900
Fork SuperSix Hi-MOD full carbon fork	Rear Derailleur Shimano Dura-Ace 7900, 10 speed	Tires Schwalbe Ultramo, 700 x 23c, foldable
Wheels Mavic Ksyrium SL, black	Crank Cannondale Hollowgram SL BB30, 53/39, SRM	Sizes 48, 50, 52, 54, 56, 58, 60, 63cm



Crank Option:
Cannondale Hollowgram SL BB30 Double, 53/39;
FSA DA-79 rings; Includes Compact 50/34 rings,
spider and locking tool



SUPERSIX 2

Cannondale Yellow, Jet Black w/White accents (gloss) (YEL).

Frame SuperSix Carbon BB30	Shifters SRAM Red, 10 speed	Brakes SRAM Red
Fork SuperSix full carbon fork	Rear Derailleur SRAM Red, 10 speed	Tires Schwalbe Ultramo, 700 x 23c, foldable
Wheels Mavic Ksyrium Elite, black	Crank Cannondale by SRAM carbon BB30 Compact, 50/34	Sizes 48, 50, 52, 54, 56, 58, 60, 63cm

Crank Option:
Cannondale by SRAM
carbon BB30 Double, 53/39



Magnesium White, Jet Black w/Red accents (gloss) (RED).



SUPERSIX 3

Jet Black w/White accents (gloss/matte) (BLK).

Frame SuperSix Carbon BB30	Shifters Shimano Ultegra 6700, 10 speed	Brakes Shimano Ultegra 6700
Fork SuperSix full carbon fork	Rear Derailleur Shimano Ultegra 6700, 10 speed	Tires Schwalbe Ultramo, 700 x 23c, foldable
Wheels Shimano RS80 carbon/alloy	Crank FSA SL-K Light BB30, DA-79 Double, 53/39	Sizes 48, 50, 52, 54, 56, 58, 60, 63cm

Crank Option:
FSA SL-K Light BB30,
DA-79 Compact, 50/34



Magnesium White, Jet Black w/Red accents (gloss) (RED).

SIX CARBON

1 MONOCOQUE:

More than 100 grams lighter than the '09 version, the Six Carbon retains an ultra stiff, precisely oriented uni-directional monocoque front triangle that boosts lateral and torsional stiffness for excellent power transfer in the final sprint.

2 BB30:

The Cannondale-developed BB30 standard brings new levels of efficiency to BB shells and cranksets. The oversized design resists power loss from twisting and allows our engineers to shave weight.

3 COMPLIANCE:

The 15mm hourglass-shaped seat stays lend compliance for greater rider comfort over the long haul, but yield no energy-sapping lateral movement.



Crank Option:
FSA SL-K Light BB30,
DA-79 Compact, 50/34

SIX CARBON 3

Carbon, Cannondale Yellow w/Black accents (gloss) (YEL). Magnesium White, Nu Team Blue w/Black accents (gloss) (BLU).

Frame Six Carbon BB30	Shifters Shimano Ultegra 6700, 10 speed	Brakes Tektro R580 w/cartridge pads
Fork Six Premium full carbon	Rear Derailleur Shimano Ultegra 6700, 10 speed	Tires Vittoria Diamante Pro Light, foldable
Wheels Mavic Aksium, black	Crank FSA SL-K Light BB30, DA-79 Double, 53/39	Sizes 48, 50, 52, 54, 56, 58, 60, 63cm



Crank Option:
FSA Gossamer BB30
Compact, 50/34



SIX CARBON 5

Jet Black, Carbon w/White accents (matte) (BBQ). Race Red, Jet Black w/White accents (gloss) (RED). Paint & graphics see Six Carbon 6

Frame Six Carbon BB30	Shifters Shimano 105, 10 speed	Brakes Tektro R580 w/cartridge pads
Fork Six Premium full carbon	Rear Derailleur Shimano 105, 10 speed	Tires Vittoria Zaffiro Pro Slick, foldable
Wheels Shimano RS10	Crank FSA Gossamer BB30 Double, 52/38	Sizes 48, 50, 52, 54, 56, 58, 60, 63cm



Crank Option:
Shimano Tiagra Triple,
50/39/30



SIX CARBON 6

Race Red, Jet Black w/White accents (gloss) (RED). Magnesium White, Nu Team Blue w/Black accents (gloss) (BLU). Paint & graphics see Six Carbon 3

Frame Six Carbon BB30	Shifters Shimano Tiagra, 9 speed	Brakes Shimano Tiagra
Fork Six, carbon blades	Rear Derailleur Shimano Tiagra, 9 speed	Tires Vittoria Zaffiro Pro Slick, foldable
Wheels Shimano WH-R500A	Crank Shimano Tiagra Double, 53/39	Sizes 48, 50, 52, 54, 56, 58, 60, 63cm

CAAD9

1 ALLOY PERFORMANCE:

The legendary CAAD9 is, quite simply, the finest alloy road frame on the planet. Cannondale's quarter century of aluminum design experience means the CAAD9 is the most refined and technologically advanced alloy frame available. So good, it puts most carbon frames to shame.

2 BB30:

Now on the CAAD9! The BB30 was invented to give riders everywhere more power from every pedal revolution. Shave weight, minimize pedaling effort and ride faster. With the Hollowgram Si SL, it's the lightest crankset/BB combo in the world.

3 VERSATILITY:

As an Elite frame in Cannondale's road line, the CAAD9 has Pro-Tour geometry that's at home in continental pelotons. But it's equally suited for multi-day charity rides and remains a cult favorite when knocking elbows at the local crit race.



Crank Option:
FSA SL-K Light BB30,
DA-79 Compact, 50/34



CAAD9 1

Magnesium White w/Red, Grey and Black accents (gloss) (WHT).
Jet Black (matte) (BBQ).

Frame CAAD9 BB30	Shifters Shimano Dura-Ace 7900, 10 speed	Brakes Tektro R580 w/cartridge pads
Fork Slice Premium, full carbon	Rear Derailleur Shimano Dura-Ace 7900, 10 speed	Tires Schwalbe Ultremo, foldable
Wheels Shimano RS80 carbon/alloy	Crank FSA SL-K Light BB30, DA-79 Double, 53/39	Sizes 48, 50, 52, 54, 56, 58, 60, 63cm



Crank Option:
SRAM Force BB30
Compact, 50/34



CAAD9 4

Race Red w/White and Black accents (gloss) (RED).
Jet Black (matte) (BBQ).

Frame CAAD9 BB30	Shifters SRAM Rival, 10 speed	Brakes Tektro R580 w/cartridge pads
Fork Slice Premium, full carbon	Rear Derailleur SRAM Rival, 10 speed	Tires Vittoria Zaffiro Pro Slick, foldable
Wheels Shimano RS10	Crank SRAM Force BB30 Double, 53/39	Sizes 48, 50, 52, 54, 56, 58, 60, 63cm



CAAD9 5

Frame CAAD9 BB30
Fork Slice Premium, full carbon
Wheels Shimano RS10

Charcoal Grey w/Red and White accents (gloss) (GRY).

Shifters Shimano 105, 10 speed
Rear Derailleur Shimano 105, 10 speed
Crank FSA Gossamer BB30 Double, 52/38



Nu Team Blue w/White and Black accents (gloss) (BLU).

Brakes Tektro R580 w/cartridge pads
Tires Vittoria Zaffiro Pro Slick, foldable
Sizes 48, 50, 52, 54, 56, 58, 60, 63cm



Crank Option:
FSA Gossamer BB30
Compact, 50/34

1 COMPLIANCE:

Like those stays found on our more expensive road frames, the hourglass-shaped seat stays lend compliance for greater rider comfort over the long haul, but yield no energy-sapping lateral movement.

2 GEOMETRY:

A slightly more upright riding position gives riders comfortable, predictable handling. The geometry straddles Elite and Performance ride characteristics for the best of both worlds.

3 MANUFACTURING QUALITY:

Cannondale's trademark double-pass smooth-welded technology virtually eliminates the stress risers possible on machine-welded frames and gives the frames a finished, handcrafted aesthetic.



CAAD8 6

Frame CAAD8 S
Fork Slice Ultra, carbon blades
Wheels Maddux DRX 4000

Race Red, Jet Black (gloss) (RED).

Shifters Shimano Tiagra, 9 speed
Rear Derailleur Shimano Tiagra, 9 speed
Crank Shimano Sora Compact, 50/34



Nu Team Blue, Magnesium White (gloss) (BLU).

Brakes Cannondale C4 w/cartridge pads
Tires Vittoria Zaffiro
Sizes 48, 51, 54, 56, 58, 61cm



Crank Option:
Shimano Sora Triple,
50/39/30



CAAD9 6

Frame CAAD9 BB30
Fork Slice Ultra, carbon blades
Wheels Shimano WH-R500A

Nu Team Blue w/White and Black accents (gloss) (BLU).

Shifters Shimano Tiagra, 9 speed
Rear Derailleur Shimano Tiagra, 9 speed
Crank Shimano Tiagra Double, 53/39



Magnesium White w/Black and Silver accents (gloss) (WHT).

Brakes Tektro R520 w/cartridge pads
Tires Vittoria Zaffiro
Sizes 48, 50, 52, 54, 56, 58, 60, 63cm



Crank Option:
Shimano Tiagra Triple,
50/39/30



CAAD8 8

Frame CAAD8 S
Fork Slice Ultra, carbon blades
Wheels Maddux DRX 4000

Charcoal Grey, Fine Silver (gloss) (GRY).

Shifters Shimano 2300, 8 speed
Rear Derailleur Shimano 2300, 8 speed
Crank FSA Tempo Triple, 52/42/30



Magnesium White, Jet Black (gloss) (BLK).

Brakes Cannondale C4 w/cartridge pads
Tires Vittoria Zaffiro
Sizes 48, 51, 54, 56, 58, 61cm



Crank Option:
FSA Tempo Compact,
50/34

SLICE



Crank Option:
Cannondale Hollowgram
SL BB30 Double, 54/42
FSA TT Rings

WFAPON OF CHOICE.

Don't just beat the competition. Demoralize them. Demolish your personal best times. Do it aboard the Slice and S.A.V.E. yourself for the run.

1 S.A.V.E.:

Transition off the bike with more energy for the run! That's the benefit of the Slice's Active Vibration Damping, which soaks up road buzz so riders don't have to. Chrissie Wellington has broken world records using the Slice, so imagine what it can do for you.

2 AERO DESIGN:

Class-leading aerodynamics achieve higher bike speeds. Our reduction of laminar drag has been confirmed by third-party wind tunnels and at Tour magazine's labs. Smooth bikes go faster.

3 LIGHTWEIGHT:

The Slice frameset is one of the absolute lightest on the planet and has the best stiffness-to-weight ratio in the industry. Light bikes climb easier and get up to speed faster after the transition.

SLICE HI-MOD ULTIMATE

Magnesium White, Race Red w/Black accents (gloss) (WHT).

Frame Slice Hi-MOD Carbon BB30

Shifters SRAM 1090 R2C, 10 speed

Brakes SRAM Red w/SRAM 900 carbon TT levers

Fork Slice Aero Hi-MOD full carbon

Rear Derailleur SRAM Red, 10 speed

Tires Schwalbe Custom Ultramo Tubulars, 700 x 21c

Wheels Zipp 808 front, 1080 rear, tubular

Crank Cannondale Hollowgram SL BB30, 54/42, SRM

Sizes 51, 54, 56, 58, 60cm



SLICE HI-MOD 2

Magnesium White, Race Red w/Black accents (gloss) (WHT).

Frame Slice Hi-MOD Carbon BB31	Shifters SRAM 1090 R2C, 10 speed	Brakes SRAM Red w/Vision Aero TT
Fork Slice Aero Hi-MOD full carbon	Rear Derailleur SRAM Red, 10 speed	Tires Schwalbe Ultrero, foldable
Wheels Mavic Aksium, black	Crank SRAM Force TT BB30 Double, 53/39	Sizes 51, 54, 56, 58, 60cm



SLICE 4

Jet Black, Berserker Green w/White accents (gloss) (GRN).

Frame Slice Carbon BB30	Shifters SRAM 1090 R2C, 10 speed	Brakes Tektro R580 w/Cannondale C1 carbon levers
Fork Slice Aero full carbon	Rear Derailleur SRAM Rival, 10 speed	Tires Vittoria Diamante Pro Light, foldable
Wheels Fulcrum Racing 7	Crank FSA Gossamer BB30 Double, 52/38	Sizes 51, 54, 56, 58, 60cm



SLICE 5

Jet Black, Charcoal Grey w/Silver accents (gloss) (BLK).

Frame Slice Carbon BB30	Shifters Shimano Dura-Ace bar end, 10 speed	Brakes Tektro R520 w/alloy aero levers
Fork Slice Aero full carbon	Rear Derailleur Shimano 105, 10 speed	Tires Vittoria Zaffiro Pro Slick, foldable
Wheels Shimano WH-R500A	Crank FSA Gossamer BB30 Double, 52/38	Sizes 51, 54, 56, 58, 60cm



Jet Black, Berserker Green w/White accents (gloss) (GRN).



Chrissie Wellington successfully defends her 2008 title at Port McQuarie, Australia. Gareth Christian

SYNAPSE

COMPETE. COMMUTE. REPEAT.
Proven at Paris-Roubaix and RAGBRAI! A supremely comfortable, stylish road bike that's purpose-built for performance and comfort. From Saint-Python to Philly, ride cobbles without pain.



- 1 S.A.V.E.:**
The Synapse's Active Vibration Damping eliminates numbing road buzz and high frequency vibrations without any power loss.
- 2 GEOMETRY:**
A more upright riding position gives riders comfortable, predictable handling. The result is ride-all-day handling qualities – vitally important for long-distance charity events or relaxed training days.
- 3 RIDE FEEL:**
Rocketship-like acceleration and the comfort of S.A.V.E. stays. The Synapse has it all, matching Elite-level ride performance with the stable handling and comfort-enhancing traits every rider can love.



SYNAPSE HI-MOD RED

Magnesium White, Jet Black w/Red accents (gloss) (WHT).
 Indigo Blue, Fine Silver w/Black accents (gloss) (BLU).

Frame Synapse HI-MOD Carbon S.A.V.E. BB30	Shifters SRAM Red, 10 speed	Brakes SRAM Red
Fork Synapse HI-MOD S.A.V.E. full carbon	Rear Derailleur SRAM Red, 10 speed	Tires Schwalbe Ultramo, foldable
Wheels Mavic Cosmic Carbon SLR, clincher	Crank Cannondale Hollowgram SL BB30 Compact, 50/34	Sizes 48, 51, 54, 56, 58, 61cm



SYNAPSE HI-MOD DI2

Magnesium White, Jet Black w/Red accents (gloss) (WHT).

Frame Synapse Hi-MOD Carbon S.A.V.E., Di2 compatible	Shifters Shimano Di2, 10 speed	Brakes Shimano Dura Ace 7900
Fork Synapse Hi-MOD S.A.V.E. full carbon	Rear Derailleur Shimano Di2, 10 speed	Tires Schwalbe Ultremo, foldable
Wheels Mavic Ksyrium SL, black	Crank Shimano Dura Ace 7900 Compact, 50/34	Sizes 48, 51, 54, 56, 58, 61cm



SYNAPSE HI-MOD 1

Indigo Blue, Fine Silver w/Black accents (gloss) (BLU). Magnesium White, Jet Black w/Red accents (gloss) (WHT). Paint & graphics see Synapse Hi-MOD Di2

Frame Synapse Hi-MOD Carbon S.A.V.E. BB30	Shifters Shimano Dura Ace 7900, 10 speed	Brakes Shimano Dura Ace 7900
Fork Synapse Hi-MOD S.A.V.E. full carbon	Rear Derailleur Shimano Dura Ace 7900, 10 speed	Tires Schwalbe Ultremo, foldable
Wheels Mavic Ksyrium SL, black	Crank FSA SL-K Light BB30, DA-79 Compact, 50/34	Sizes 48, 51, 54, 56, 58, 61cm

Belgium in April can only mean one thing: Spring Classics!
Team Liquigas chose the Synapse Hi-MOD for the cobbles.
Chris Milliman





Crank Option:
FSA SL-K Light BB30
Triple, 52/39/30

SYNAPSE CARBON 3

Magnesium White, Race Red w/Black accents (gloss) (RED).
Fine Silver, Magnesium White w/Blue and Black accents (gloss) (SLV). Paint & graphics see Synapse Carbon 6

Frame Synapse Carbon S.A.V.E. BB30	Shifters Shimano Ultegra 6700, 10 speed	Brakes Shimano Ultegra 6700
Fork Synapse full carbon, S.A.V.E.	Rear Derailleur Shimano Ultegra 6700, 10 speed	Tires Schwalbe Ultremo, foldable
Wheels Shimano RS80 carbon/alloy	Crank FSA SL-K Light BB30 Compact, 50/34	Sizes 48, 51, 54, 56, 58, 61cm



Crank Option:
FSA Gossamer BB30
Triple, 52/39/30

SYNAPSE CARBON 5

Magnesium White, Indigo Blue w/Black accents (gloss) (BLU).
Jet Black, Magnesium White w/Red accents (gloss) (BLK). Paint & graphics see Synapse Carbon 6

Frame Synapse Carbon S.A.V.E. BB30	Shifters Shimano 105, 10 speed	Brakes Tektro R580 w/cartridge pads
Fork Synapse full carbon, S.A.V.E.	Rear Derailleur Shimano 105, 10 speed	Tires Vittoria Zaffiro Pro Slick, foldable
Wheels Shimano RS10	Crank FSA Gossamer BB30 Compact, 50/34	Sizes 48, 51, 54, 56, 58, 61cm



SYNAPSE CARBON 4

Jet Black, Berserker Green w/White accents (gloss) (GRN).
Magnesium White, Indigo Blue w/Black accents (gloss) (BLU). Paint & graphics see Synapse Carbon 5

Frame Synapse Carbon S.A.V.E. BB30	Shifters SRAM Rival, 10 speed	Brakes Tektro R580 w/cartridge pads
Fork Synapse full carbon, S.A.V.E.	Rear Derailleur SRAM Rival, 10 speed	Tires Vittoria Diamante Pro Light, foldable
Wheels Mavic Aksium, black	Crank FSA Gossamer BB30 Compact, 50/34	Sizes 48, 51, 54, 56, 58, 61cm



Crank Option:
Shimano Tiagra Triple,
50/39/30

SYNAPSE CARBON 6

Fine Silver, Magnesium White w/Blue and Black accents (gloss) (SLV).

Jet Black, Magnesium White w/Red accents (gloss) (BLK).

Frame Synapse Carbon S.A.V.E. BB30	Shifters Shimano Tiagra, 9 speed	Brakes Shimano Tiagra
Fork Synapse S.A.V.E., carbon blades	Rear Derailleur Shimano Tiagra, 9 speed	Tires Vittoria Zaffiro Pro Slick, foldable
Wheels Shimano WH-R500A	Crank Shimano Tiagra Compact, 50/34	Sizes 48, 51, 54, 56, 58, 61cm



Crank Option:
FSA Gossamer MegaExo
Triple, 52/39/30



SYNAPSE 5

Magnesium White w/Red and Black accents (gloss) (WHT).
Indigo Blue w/White and Black accents (gloss) (BLU). Paint & graphics see Synapse 6

Frame Synapse Alloy, S.A.V.E.	Shifters Shimano 105, 10 speed	Brakes Tektro R538 long reach w/cartridge pads
Fork Synapse S.A.V.E., carbon blades	Rear Derailleur Shimano 105, 10 speed	Tires Vittoria Zaffiro Pro Slick, foldable
Wheels Shimano RS10	Crank FSA Gossamer MegaExo Compact, 50/34	Sizes 48, 51, 54, 56, 58, 61cm



Crank Option:
Shimano Tiagra Triple,
50/39/30

SYNAPSE 6

Indigo Blue w/White and Black accents (gloss) (BLU).

Race Red w/White and Black accents (gloss) (RED).

Frame Synapse Alloy, S.A.V.E.	Shifters Shimano Tiagra, 9 speed	Brakes Tektro R316 long reach w/cartridge pads
Fork Synapse S.A.V.E., carbon blades	Rear Derailleur Shimano Tiagra, 9 speed	Tires Vittoria Zaffiro
Wheels Shimano WH-R500A	Crank Shimano Tiagra Compact, 50/34	Sizes 48, 51, 54, 56, 58, 61cm

1 BB30:

The Cannondale-developed BB30 standard brings new levels of efficiency to BB shells and cranksets. The oversized design resists power loss from twisting and allows our engineers to shave weight.

2 PODIUM-READY:

The winningest North American team last year rode CAAD9 'crossers to victory. Spec'd by in-house former racers, these 'cross bikes have competition-ready geometry and are bred for action right out of the box.

3 COMMUTER OR COMPETITOR?

It can do both. Cannondale's 'cross frames are comfortable on the street or on the course. The clearance to run fatter tires makes these 'cross bikes capable commuters, too!



CYCLOCROSS RED

Ball Burnished (gloss) (BBS).
Jet Black (matte) (BBQ).

Frame CAAD9 Cyclocross BB30 Optimo alloy	Shifters SRAM Red, 10 speed	Brakes TRP Euro X Magnesium, White
Fork Easton EC90x, full carbon Cyclocross	Rear Derailleur SRAM Red	Tires Vittoria XM EVO, Tubular
Wheels Mavic Ksyrium Tubular	Crank Cannondale Hollogram Si SL BB30 Cyclocross Compact, 46/36	Sizes 47, 50, 52, 54, 56, 58, 60cm



CYCLOCROSS 3

Race Red (gloss) (RED).

Frame CAAD9 Cyclocross BB30 Optimo alloy	Shifters Shimano Ultegra 6700, 10 speed	Brakes TRP Euro X Alloy, Black
Fork Easton EC90x, full carbon Cyclocross	Rear Derailleur Shimano Ultegra 6700	Tires Kenda Small Block 8, 120 TPI, 700 X 35c, foldable
Wheels Mavic Aksium Race	Crank FSA BB30 SLK Cyclocross Compact, 46/36	Sizes 47, 50, 52, 54, 56, 58, 60cm



Crank Option:
FSA Gossamer MegaExo Triple, 52/39/30

CYCLOCROSS 5

Brushed Aluminum (gloss) (RAW).

Frame CAAD8 Cyclocross, double butted, mech formed, 6061 alloy	Shifters Shimano 105, 10 speed	Brakes Tektro CR720 Cantilevers w/cartridge Pads
Fork Ultra X Cyclocross Carbon blades	Rear Derailleur Shimano 105	Tires Kenda Small Block 8, 120 TPI, 700 X 35c, foldable
Wheels Maddux DRX6000, w/eyelets, 32 hole	Crank FSA Gossamer Cyclocross Compact, 46/36	Sizes 44, 48, 51, 54, 56, 58, 61cm



Crank Option:
FSA Omega Triple, 50/39/30

CYCLOCROSS 6

Jet Black (matte) (BBQ).

Frame CAAD8 Cyclocross, double butted, mech formed, 6061 alloy	Shifters Shimano Sora, 10 speed	Brakes Tektro CR520 Cantilever
Fork Ultra X Cyclocross Carbon blades	Rear Derailleur Shimano Tiaga	Tires Kenda Small Block 8, 120 TPI, 700 X 35c, foldable
Wheels Maddux DRX6000, w/eyelets, 32 hole	Crank FSA Omega Cyclocross Compact, 46/36	Sizes 44, 48, 51, 54, 56, 58, 61cm



Tim Johnson hops barriers in 2008 with his XTJ in hand. *Chris Millman*

Muddy legs, Cannondale Factory Racing
Team after Maremma Cup in Massa
Marittima, Italy. Chris Milliman

GET DIRTY WITH THE BEST.
MOUNTAIN. LEAVE THE REST.

MOTO

1 UPDATED LINKS:

New suspension links hone suspension response and lower the BB shell for better handling in tight technical terrain. Tackle all the trails on the best-performing long-travel bike available today.

2 HATCHET DRIVE:

The design re-oriens shock forces in two directions for better force dispersion and, because it actuates from two directions, it breaks seal stiction faster for premium suspension performance.

3 PEDALING EFFICIENCY:

The BB is the nexus of power on the Moto. This year, select models use the Cannondale-developed BB30 shell for superb power transfer and ISCG tabs – for greater flexibility when racing or when choosing to use the innovative HammerSchmidt™ crank system.



MOTO CARBON 1

Magnesium White w/Jet Black and Stealth Grey (gloss) (GRY).

Frame Moto Carbon w/ISCG, BB30, 160mm, Fox DHX Air 5.0	Shifters SRAM X-0, 9 speed	Brakes Magura Louise BAT Carbon 180/180mm S-M, 203/180mm L-X
Fork Fox 36 TALAS RC2, 160mm, 1.5, Thru-20	Rear Derailleur SRAM X-0	Tires Kenda Nevegal, 26 x 2.35", Iron Cap, foldable, UST
Wheels Mavic Crossmax SX, tubeless	Crank FSA K-Force Light BB30, 44/32/22	Sizes S, M, L, X



MOTO CARBON 2

Magnesium White w/Jet Black and Berserker Green (gloss) (GRN).

Frame Moto Carbon w/ISCG, BB30, 160mm, Fox RP23 w/BV	Shifters SRAM X-9, 9 speed	Brakes Magura Louise BAT 180/180mm S-M, 203/180mm L-X
Fork Fox 36 TALAS R, 160mm, 1.5, Thru-20	Rear Derailleur SRAM X-9	Tires Kenda Nevegal, 26 x 2.35", Iron Cap, foldable
Wheels DT Swiss E540, DT Swiss 340 front and rear	Crank FSA Afterburner BB30 w/Carbon Spider, 44/32/22	Sizes S, M, L, X



MOTO 3

Galvanized (gloss) (GZD).

Frame Moto Alloy w/ISCG, 160mm, Rock Shox Monarch 4.2	Shifters SRAM X-9, 9 speed	Brakes Avid Elixir R 180/180mm S-M, 203/180mm L-X
Fork Rock Shox Lyrik IS U-Turn, 160-115mm, 1.5, Thru-20	Rear Derailleur SRAM X-9, Mid Cage	Tires Schwalbe Fat Albert w/Snakeskin, 26 x 2.4", foldable
Wheels DT Swiss E540, Formula DC91 front, Formula DC36 rear	Crank Truvativ Hammerschmidt AM, 22T 36/22	Sizes S, M, L, X



MOTO 4

Magnesium White w/Jet Black and Berserker Green (gloss) (GRN).
Jet Black w/Fine Silver (gloss) (BLK).

Frame Moto Alloy w/ISCG, 160mm, Rock Shox Monarch 3.1	Shifters SRAM X-7, 9 speed	Brakes Magura Louise 180/180mm S-M, 203/180mm L-X
Fork Rock Shox Lyrik IS U-Turn, 160-115mm, 1.5, Thru-20	Rear Derailleur SRAM X-9	Tires Kenda Nevegal, 26 x 2.35", Iron Cap, foldable
Wheels DT Swiss E540, Formula DC91 front, Formula DC36 rear	Crank Truvativ Stylo 3.2, 44/32/22	Sizes S, M, L, X



MOTO 5

Magnesium White w/Jet Black and Race Red (gloss) (WHT).

Jet Black (matte) (BBQ).

Frame Moto Alloy w/ISCG, 160mm, Rock Shox Monarch 2.1	Shifters SRAM X-5, 9 speed	Brakes Hayes Stroker Ryde 180/180mm S-M, 203/180mm L-X
Fork Rock Shox Domain 302 U-Turn 160-115mm, 1.5	Rear Derailleur SRAM X-9	Tires Kenda Nevegal, 26 x 2.35", Iron Cap, foldable
Wheels Sun Single Track SL, Formula DC91 Front, Shimano FH-M475 rear	Crank Truvativ GXP2, 36/22	Sizes S, M, L, X



1 SYSTEM INTEGRATION:

Constrained by industry standards? Never! Cannondale's System Integration philosophy encourages engineers to push product to the next level. We know that you can't ride a frame, a fork, or any individual component: You ride the whole bike. So, when bolt-on off-the-shelf products are not good enough, our engineers set to work on a truly new and innovative design like the Lefty that is lighter, stronger, and out performs everything out there.

2 INVERTED DOUBLE-CLAMP DESIGN:

The head tube sees an amazing amount of stress. Forces come from the trail and get transmitted through the wheel, and forces come via the rider through the handlebar. Because of this, the Lefty's unique inverted structure puts the largest and strongest parts at this highest-stressed area of the fork – at the top and bottom of the head tube – to get optimum fore, aft, and lateral stiffness.

3 88 NEEDLE BEARING TECHNOLOGY:

At the heart of all HeadShok suspension, this single sided telescoping design relies on four strips of stainless steel needle bearings. These bearings are sandwiched between flat inner and outer races to smoothly roll through the fork's travel – instead of sliding like traditional, flexy bushing-equipped forks. The result is the Lefty's stiction-free travel, greater durability, and un-paralleled steering precision.

4 ONE PIECE INTEGRATION (OPI):

At Cannondale "less equals more." By capitalizing on 25 years of metal forming experience, our engineers are able to replace multiple parts with a single forged part. The end result is the elimination of overlapping material and hardware, which creates a lighter system without any loss in stiffness.

5 PBR W/NEW POP TOP PISTON:

Building on the success of the first-generation PBR damper, this latest version maintains the intuitive and easy to reach button-and-dial assembly but combines it with a new, blowoff-equipped lockout piston. The new Pop Top piston gives riders a second performance option on the trail: With the Pop Top mode engaged, the rider will feel a firm threshold which offers greater efficiency on climbs and smoother trails.

HEADSHOK

LEFTY MAX

All-mountain forks at XC fork weights.

- 140 mm
- Featured on RZ One Forty
- On/Off Lockout button on PBR models controls new blowoff piston
- Solo Air spring system is light and makes set-up easy on all PBR models
- FOX RLC is full featured and coil sprung to tackle any terrain
- All-mountain specific clamps and carbon layup for outer tube give added stiffness and steering precision



LEFTY MAX

2.83 lbs. / 1284 g



CARBON W/FOX RLC

3.41 lbs. / 1545 g



W/PBR

3.08 lbs. / 1395 g

LEFTY SPEED

A no-compromises race fork. Our competition sacrifices stiffness and performance to save weight, but the Speed has it all.

- 110 mm
- Featured on Scalpel, Flash
- DLR damper is race proven to be fast and reliable
- Solo Air spring system is light and makes set-up easy on all models
- Carbon SL model optimizes carbon leg and clamps to save weight
- OPI technology on alloy outer and spindle saves up to 180 grams over '09 versions



LEFTY SPEED

2.56 lbs. / 1159 g



CARBON W/DLR

2.92 lbs. / 1325 g



W/DLR

3.01 lbs. / 1365 g

LEFTY ULTRA

The Lefty Ultra has perfect balance of light weight and performance for Marathon and 24-hour riders.

- 120 mm
- Featured on RZ One Twenty
- On/Off Lockout button on PBR models controls new blowoff piston
- DLR damper is race proven to be fast and reliable
- Solo Air spring system is light and makes set-up easy on all models
- Carbon SL model optimizes carbon leg and clamps to drop weight



LEFTY ULTRA

2.75 lbs. / 1245 g



W/PBR

3.08 lbs. / 1395 g



W/DLR

3.09 lbs. / 1400 g

LEFTY 29'ER

The Lefty structure is ideal for 29-inch wheels because the fork's stiffness makes it a perfect-steering structure while still being the lightest on the planet.

- 80 mm
- Featured on Flash 29'er
- DLR damper is race proven to be fast and reliable
- Solo Air spring system is light and makes set-up easy on all models
- Carbon SL model optimizes carbon leg and clamps to save weight
- OPI technology on alloy outer and spindle saves up to 180 grams over '09 versions



LEFTY 29'ER

2.60 lbs. / 1179 g



CARBON W/DLR

2.97 lbs. / 1345 g



W/DLR

3.06 lbs. / 1385 g

RZ ONE FORTY

ONE BIKE TO RULE THEM ALL. Whether built into a flyweight all-mountain ride or a fast-and-furious 4X racing rig, the RZ One Forty wins over riders – even justifiably picky bike journalists who've heaped praise upon the RZ One Forty since its release.



- 1 BACKBONE:**
The RZ One Forty introduced new metal forming technology to the industry. The one-piece seat tube, BB shell and lower pivot housing are three-dimensionally forged for the ultimate in strength and better power transfer. No welds. No weak points.
- 2 PEDALING EFFICIENCY:**
Easy climbing on a bike with 140mm of suspension? They said it couldn't be done. But that was before the RZ One Forty! Perfect power transfer is achieved via the BB30 and the ISCG tabs on select models (for the innovative HammerSchmidt™ system), to make molehills out of mountains.
- 3 EXCELLENT TRACKING:**
Nobody likes riding flexy bikes with a wandering rear wheel. That's why the swingarm on the RZ One Forty uses an oversized bridge that maximizes torsional stiffness for better control. Asymmetric chain stays also transfer pedaling forces for the ultimate power output.

RZ ONE FORTY CARBON 1

Jet Black (gloss) (BLK).

Frame RZ One Forty Carbon, w/BB30, 140mm, Rock Shox Monarch 4.2	Shifters Shimano XT, 9 speed	Brakes Avid Elixir CR Mag, 185/160mm S-M, 185/185mm L-X
Fork Lefty Max Carbon w/PBR, 140 mm	Rear Derailleur Shimano XTR	Tires Schwalbe Nobby Nic EVO Folding w/UST, 26 x 2.25"
Wheels Mavic Crossmax ST, tubeless	Crank FSA K-Force Light BB30, 44/32/22	Sizes S, M, L, X



RZ ONE FORTY CARBON 2

Race Red w/Jet Black (gloss) (RED).

Frame RZ One Forty Carbon, w/BB30, 140mm, Fox Float RP23	Shifters SRAM X-9, 9 speed	Brakes Avid Elixir CR Carbon, 185/160mm S-M, 185/185mm L-X
Fork Lefty Max Carbon w/RLC, 140mm	Rear Derailleur SRAM X-0	Tires Schwalbe Nobby Nic EVO Folding w/UST, 26 x 2.25"
Wheels Mavic X-Trail, tubeless	Crank FSA Afterburner BB30 w/Carbon Spider, 44/32/22	Sizes S, M, L, X



RZ ONE FORTY 3Z

Galvanized (gloss) (GZD).

Frame RZ One Forty w/SCG, BB30, 140mm, Rock Shox Monarch 4.2	Shifters SRAM X-9 Mid Cage, 9 speed	Brakes Avid Elixir R 185/185mm
Fork Rock Shox Revelation Team Air U-Turn, 140mm, Thru-20	Rear Derailleur SRAM X-9	Tires Schwalbe Nobby Nic folding w/Snakeskin, 26 x 2.25"
Wheels Sun EQ27, Formula DC91 front, Sun Dirty Flea rear	Crank Truvativ Hammerschmidt AM 24T (38/24)	Sizes S, M, L, X



RZ ONE FORTY 4

Nu Team Blue w/Jet Black (gloss) (BLU).

Frame RZ One Forty, w/BB30, 140mm, Fox Float RP2	Shifters Shimano SLX, 9 speed	Brakes Hayes Stroker Ryde 180/160mm S-M, 180/180mm L-X
Fork Fox 32 Float RL 140, 1.5	Rear Derailleur Shimano XT	Tires Schwalbe Nobby Nic folding w/Snakeskin, 26 x 2.25"
Wheels Sun EQ25, Shimano HB-M525 front, FH-M525 rear	Crank Shimano FC-M542, 44/32/22	Sizes S, M, L, X



Charcoal Grey (gloss) (GRY).



RZ ONE FORTY 3

Jet Black (matte) (BBQ).

Frame RZ One Forty, w/BB30, 140mm, Rock Shox Monarch 3.3	Shifters SRAM X-9, 9 speed	Brakes Avid Elixir R, 185/160mm S-M, 185/185mm L-X
Fork Lefty Max w/PBR, 140mm	Rear Derailleur SRAM X-9	Tires Schwalbe Nobby Nic Folding w/Snakeskin, 26 x 2.25"
Wheels DT Swiss X430, Lefty SL front, Sun Dirty Flea rear	Crank Truvativ Stylo 3.2, 44/32/22	Sizes S, M, L, X



Ruby Red (gloss) (RED).



RZ ONE FORTY 5

Jet Black (matte) (BBQ).

Frame RZ One Forty, w/BB30, 140mm, X-Fusion 02 RLZ	Shifters SRAM X-5, 9 speed	Brakes Shimano BR-M486 180/160mm S-M, 180/180mm L-X
Fork RST Deuce 140, 15 mm, 1.5	Rear Derailleur SRAM X-7	Tires Kenda Nevegal, 26 x 2.1", wire bead
Wheels Maddux DC3.0, double wall with eyelet, disc specific	Crank Shimano FC-M442-8, 44/32/22	Sizes S, M, L, X



Magnesium White w/Jet Black (gloss) (WHT).

RZ ONE TWENTY



THE ENDURANCE MASTER.
As an improved, shorter-travel version of the much-heralded RZ One Forty, the One Twenty is ideal for ultra-endurance riders. Rising-rate suspension, excellent rear wheel tracking and light weight make the One Twenty a perfect choice for the trail.

- 1 BACKBONE:**
Borrowed from the RZ One Forty, the one-piece seat tube, BB shell and lower pivot housing on the RZ One Twenty are three-dimensionally forged for the ultimate in strength. No welds. No weak points.
- 2 THE DETAILS:**
Sometimes small things matter most on a ride. Like the fact that the smallest size of the RZ One Twenty still can fit a water bottle in the main frame. No more reaching under the down tube in hairy conditions. Small details matter.
- 3 IMPROVED STANDOVER:**
Using size-appropriate links lowers standover clearance on smaller sizes – ideal for female and short-statured riders. It also boosts maneuverability in tight technical terrain for unmatched trail performance.

RZ ONE TWENTY 1

Magnesium White (gloss) (WHT).

Frame RZ One Twenty Alloy, w/BB30, Fox Float RP23

Shifters SRAM X-9, 9 speed

Brakes Avid Elixir CR, 160/160mm

Fork Lefty Ultra Carbon w/PBR, 120mm

Rear Derailleur SRAM X-9

Tires Schwalbe Racing Ralph EVO Folding, 26 x 2.25"

Wheels DT Swiss XCR 1.5 Custom

Crank FSA Afterburner BB30 w/Carbon Spider, 44/32/22

Sizes S, M, L, X



RZ ONE TWENTY 2

Jet Black (gloss) (BLK).
Fine Silver (matte) (SLV).

Frame RZ One Twenty Alloy, w/BB30, Fox Float RP2

Shifters SRAM X-7, 9 speed

Brakes Avid Elixir R, 160/160mm

Fork Lefty Ultra w/PBR, 120mm

Rear Derailleur SRAM X-9

Tires Schwalbe Racing Ralph EVO Folding, 26 x 2.25"

Wheels DT Swiss X430, Lefty SL front, Shimano FH-M525 rear

Crank FSA V-Drive BB30, 44/32/22

Sizes S, M, L, X



RZ ONE TWENTY 3

Race Red (gloss) (RED).

Frame RZ One Twenty Alloy, Rock Shox Monarch 3.3

Shifters Shimano Deore, 9 speed

Brakes Hayes Stroker Ryde, 160/160mm

Fork Lefty Ultra w/DLR, 120mm

Rear Derailleur Shimano XT

Tires Schwalbe Racing Ralph EVO Folding, 26 x 2.25"

Wheels Sun EQ 25, Lefty SL front, Shimano FH-M525 rear

Crank Shimano FC-M542, 44/32/22

Sizes S, M, L, X



Jet Black (matte) (BBQ).



RZ ONE TWENTY 4

Magnesium White (gloss) (WHT).

Frame RZ One Twenty Alloy, X-Fusion 02 RLZ

Shifters Shimano Deore, 9 speed

Brakes Shimano BR-M486, 160/160mm

Fork RST Deuce 1.5 Air, 120 mm, 15 mm thru axle

Rear Derailleur Shimano Deore

Tires Kenda Nevegal Wire, 26 x 2.1"

Wheels Maddux DC3.0, double wall with eyelet, disc specific

Crank Shimano FC-M442-8, 44/32/22

Sizes S, M, L, X



Nu Team Blue (gloss) (BLU).

SCALPEL

1 LIGHTEN THE LOAD:

The new magnesium link ensures the same great performance from the Zero Pivot suspension system on the Scalpel, AND lightens total frame weight by 30 grams!

2 ULTRA-EFFICIENT:

New for 2010, the Hi-MOD layup of the Scalpel Team bike optimizes lateral and torsional stiffness while shaving an astounding 100 grams from the frame weight. The winningest frame on the World Cup circuit continues to get better.

3 LATERALLY STIFF:

The seat stay bridge has been redesigned for improved lateral stiffness. More power now transfers directly to the rear wheel for better climbs, improved rear-wheel tracking, and sprint-winning finishes at UCI races.



SCALPEL CARBON TEAM

Team Replica (gloss) (REP).

Frame Scalpel Hi-MOD w/BB30, 100 mm, Rock Shox Monarch 4.2

Shifters SRAM XX, 10 speed Matchmaker

Brakes SRAM XX, 160/140mm Matchmaker

Fork Lefty Speed Carbon SL, 110mm

Rear Derailleur SRAM XX

Tires (F/R) Schwalbe Rocket Ron, 26 x 2.1" UST, Furious Fred, 26 x 2.1" UST

Wheels Mavic Crossmax SLR, tubeless

Crank Cannondale Hollowgram SL BB30, 42/28

Sizes S, M, L, X



Cannondale Factory Racing rider Martin Guaján chases teammate Marco Aurelio Fontana on a Scalpel at the 2009 Offenburg World Cup, Germany. Armin Köstenbrück



SCALPEL CARBON 1

Nu Team Blue w/Jet Black (gloss) (BLU).

Frame Scalpel Hi-MOD w/BB30, 100 mm, Fox Float RP23	Shifters Shimano XT, 9 speed	Brakes Shimano XT, 160/160mm
Fork Lefty Speed Carbon SL, 110mm	Rear Derailleur Shimano XTR	Tires (F/R) Schwalbe Rocket Ron, 26 x 2.1" UST, Furious Fred, 26 x 2.1" UST
Wheels Shimano XTR, tubeless	Crank FSA K-Force Light BB30, 44/32/22	Sizes S, M, L, X



SCALPEL 3

Jet Black (gloss) (BLK).

Frame Scalpel Alloy w/BB30, 100mm, Fox Float RPL	Shifters SRAM X-9, 9 speed	Brakes Avid Elixir CR, 160/160mm
Fork Lefty Speed Carbon w/DLR, 110mm	Rear Derailleur SRAM X-9	Tires Schwalbe Racing Ralph, 26 x 2.1" Folding DD
Wheels DT Swiss XCR 1.5 Custom	Crank FSA V-Drive BB30, 44/32/22	Sizes S, M, L, X



SCALPEL CARBON 2

Jet Black w/Race Red accents (gloss) (RED).

Frame Scalpel Hi-MOD w/BB30, 100 mm, Rock Shox Monarch 3.1	Shifters SRAM X-9, 9 speed	Brakes Avid Elixir CR Carbon, 160/160mm
Fork Lefty Speed Carbon w/DLR, 110mm	Rear Derailleur SRAM X-0	Tires Schwalbe Racing Ralph, 26 x 2.1" Folding DD
Wheels DT Swiss XCR 1.4 Custom	Crank FSA Afterburner BB30 w/Carbon Spider, 44/32/22	Sizes S, M, L, X



SCALPEL 4

Magnesium White w/Race Red and Jet Black (gloss) (WHT).

Frame Scalpel Alloy w/BB30, 100mm, Rock Shox Monarch 2.1	Shifters Shimano SLX, 9 speed	Brakes Avid Elixir 5, 160/160mm
Fork Lefty Speed w/DLR, 110mm	Rear Derailleur Shimano XT	Tires Schwalbe Racing Ralph, 26 x 2.1" Folding DD
Wheels Sun EQ 25, Lefty SL Front, Formula DC32 Rear	Crank Shimano FC-M542, 44/32/22	Sizes S, M, L, X

FLASH



RIDE TO WIN.

Lighter, stiffer, stronger, faster. Seriously. At 16 pounds even, the Flash is a purebred race machine. Combined with the Lefty, it's the most efficient, lightweight hardtail frame on the World Cup scene.

1 ULTRA-EFFICIENT:

For 25 years, Cannondale has been shaping and optimizing tubing to continuously better frame performance. The Flash is no different. A radically shaped seat tube and top tube junction unifies the front triangle, giving this race-ready hardtail the stiffest frame ever.

2 LAYUP WITH PURPOSE:

No bull: Fibers want to be straight. After all, that's when they're lightest and strongest. The Flash's use of continuous-fiber technology allows carbon fiber orientation to run uninterrupted the length of the frame, maximizing torsional stiffness and minimizing weight.

3 SINGLETRACK PERFORMER:

Oversized head tube diameter stiffens the top tube to down tube junction for the best possible steering precision. The ultra-efficient frame and point-and-shoot steering of the Flash make it a natural for technical singletrack.

FLASH CARBON ULTIMATE

Team Replica, Carbon (gloss) (REP).

Frame Flash Carbon HI-MOD, w/S.A.V.E., Si BB30

Shifters SRAM XX, 10 speed Matchmaker

Brakes SRAM XX, 160/140mm Matchmaker

Fork Lefty Speed Carbon SL w/DLR, 110mm

Rear Derailleur SRAM XX

Tires Schwalbe Furious Fred, 26 x 2.1" Evo, foldable

Wheels DT Swiss XCR 1.2 Carbon Custom

Crank Cannondale Hollowgram SL BB30, 42/28

Sizes S, M, L, X



FLASH CARBON 1

Carbon w/Race Red and White accents (gloss) (RED).

Frame Flash Carbon Hi-MOD, w/S.A.V.E., Si BB30	Shifters Shimano XTR, 9 speed	Brakes Shimano XTR, 160/160mm
Fork Lefty Speed Carbon SL w/DLR, 110mm	Rear Derailleur Shimano XTR	Tires Schwalbe Racing Ralph, 26 x 2.1" Evo, foldable
Wheels Shimano XTR, tubeless	Crank FSA K-Force Light BB30, 44/32/22	Sizes S, M, L, X



F1

Magnesium White (gloss) (WHT).

Frame Flash, 6061 T-6 Double Butted w/S.A.V.E., BB30	Shifters SRAM X-7, 9 speed	Brakes Avid Elixir R, 160/160mm
Fork Lefty Speed Carbon w/DLR, 110mm	Rear Derailleur SRAM X-9	Tires Kenda Small Block Eight, 26 x 2.1", foldable
Wheels DT Swiss X430, Lefty SL Front, DT Swiss 370 Rear	Crank Truvativ Fire-X 3.2, 44/32/22	Sizes S, M, L, X



F2

Race Red (gloss) (RED).

Frame Flash, 6061 T-6 Double Butted w/S.A.V.E., BB30	Shifters SRAM X-7, 9 speed	Brakes Avid Elixir 5, 160/160mm
Fork Lefty Speed w/DLR, 110mm	Rear Derailleur SRAM X-7	Tires Kenda Small Block 8, 26 x 2.1", foldable
Wheels Sun EQ25, Lefty SL Front, Shimano FH-M525 Rear	Crank Shimano FC-M521, 44/32/22	Sizes S, M, L, X



FLASH CARBON 2

Carbon w/Nu Team Blue and White accents (gloss) (BLU).

Frame Flash Carbon Standard Mod, w/S.A.V.E., Si BB30	Shifters SRAM X-7, 9 speed	Brakes Avid Elixir R, 160/160mm
Fork Lefty Speed Carbon w/DLR, 110mm	Rear Derailleur SRAM X-9	Tires Schwalbe Racing Ralph, 26 x 2.1" Evo, foldable
Wheels DT Swiss XCR 1.5 Custom	Crank FSA V-Drive BB30, 44/32/22	Sizes S, M, L, X



F3

Jet Black (matte) (BBQ).

Frame Flash, 6061 T-6 Double Butted w/S.A.V.E., BB30	Shifters SRAM X-5, 9 speed	Brakes Avid Juicy 3, 160/160mm
Fork Lefty Speed w/DLR, 110mm	Rear Derailleur SRAM X-7	Tires Kenda Nevegal, 26 x 2.1"
Wheels Maddux DC3.0, double wall with eyelet	Crank Shimano FC-M442 Octalink, 44/32/22	Sizes S, M, L, X



Nu Team Blue (gloss) (BLU).

1 MANUFACTURING QUALITY:

Cannondale's trademark double-pass smooth-welded technology virtually eliminates the stress risers possible on machine-welded frames and gives the frames a finished, handcrafted aesthetic.

2 DOUBLE-BUTTED:

We know alloy frame manufacturing better than anyone else. After all, we've been at it longer than anyone else. That's why the Trail SL uses double-butteted tubing for an increase in frame strength and stiffness with no weight penalty.

3 STEER STRAIGHT:

The Trail uses the OnePointFive Standard head tube. The oversized design is part of our belief in System Integration, which simultaneously lightens and stiffens the frame. Stiffer frames steer better.

1 ALL-PURPOSE RIG:

Sometimes bikes have to fulfill multiple roles, like getting to class on time and handling trails in the exclusive Huron Mountain Club during a Saturday poaching session. Enter the CO2. Competent performance, excellent value, all-purpose build.

2 COMFORTABLE STAYS:

Whether riders just go around the block or ride across the country, the comfort-giving properties of the CO2 hourglass seat stays help cushion harsh trail feel and provide exceptional power transfer.

3 POWERPYRAMID DOWN TUBE:

Cannondale's engineers design each tube shape to maximize performance. On the PowerPyramid, the tube wall is thicker at the head tube junction for impact resistance, while the oversized, thinner wall diameter at the BB shell resists torsional flex.



F4

Magnesium White (gloss) (WHT).

Charcoal Grey (gloss) (GRY).

Frame Trail SL, Double Butted, 6061 T-6 alloy w/S.A.V.E	Shifters Shimano Deore, 9 speed	Brakes Tektro Auriga Comp Hydraulic Disc, 160/160mm
Fork RST Deuce 1.5 Air w/Rebound and lock-out, 100mm	Rear Derailleur Shimano Deore	Tires Kenda Nevegal, 26 x 2.1"
Wheels Maddux DC3.0, double wall with eyelet, disc specific	Crank Shimano FC-M442 Octalink, 44/32/22	Sizes S, M, L, X, J



F5

Jet Black (matte) (BBQ).

Race Red (gloss) (RED).

Frame Trail SL, Double Butted, 6061 T-6 alloy w/S.A.V.E	Shifters SRAM X-5, trigger 9 speed	Brakes SRAM BB5 Mechanical Disc, 160/160mm
Fork RST Deuce 1.5 Coil w/rebound and lock-out, 100mm	Rear Derailleur SRAM X-5	Tires Kenda Nevegal, 26 x 2.1"
Wheels Maddux DC3.0, double wall with eyelet, disc specific	Crank FSA Dyna-Drive, 44/32/22	Sizes S, M, L, X, J



F7

Magnesium White w/Nu Team Blue (gloss) (BLU).
Fine Silver w/Charcoal Grey (gloss) (SLV).

Frame CO2, 6061 T-6 alloy, 1 1/8	Shifters SRAM X-4, trigger 8 speed	Brakes SRAM BB5 Mechanical Disc, 160/160mm
Fork RST Gila Pro w/rebound and lock-out, 100mm	Rear Derailleur SRAM X-4	Tires Kenda Small Block 8, 26 x 2.1"
Wheels Alex DC4.5, double wall with eyelet, disc specific	Crank Shimano FC-M311, 42/32/22	Sizes S, M, L, X, J

FLASH 29'ER

1 29'ER SOUL:

For 29'er addicts, riding a big-wheeled bike is a soulful experience. The easy-rolling wheels are perfectly suited for the Lefty fork and, when combined with the ultra-efficient Flash frame, the result is a podium winner.

2 WINNING DESIGN:

Matt Lee, four-time winner of the Great Divide race, knows a thing or two about bikes. He chooses Cannondale's 29'ers for the versatility, light weight, and ride performance when hammering out 2,000 miles in 16 days!

3 SINGLETRACK PERFORMER:

Oversized head tube diameter stiffens the top tube to down tube junction for the best possible steering precision. The ultra-efficient frame and point-and-shoot steering of the Flash make it a natural for technical singletrack.



F8

Magnesium White w/ Jet Black and Race Red accents (gloss) (RED).

Jet Black w/ Charcoal Grey (gloss) (BLK).

Frame CO2, 6061 T-6 alloy, 1 1/8	Shifters Shimano ST-EF50, EZ Fire 8 speed	Brakes Tektro IO Mechanical Disc, 160/160mm
Fork RST Gila T, 80mm	Rear Derailleur Shimano Acera	Tires Kenda Small Block 8, 26 x 2.1"
Wheels Alex DC4.5, double wall with eyelet, disc specific	Crank Shimano FC-M311, 42/32/22	Sizes S, M, L, X, J



FLASH CARBON 29'ER 1

Carbon w/ Race Red accents (gloss) (RED).

Frame New Flash Carbon 29, w/S.A.V.E. and BB30	Shifters SRAM X-0, 9 speed	Brakes Avid Elixir CR Carbon, 185/160mm
Fork Lefty 29'er Carbon SL w/DLR, 80mm	Rear Derailleur SRAM X-0	Tires Schwalbe Racing Ralph, 29 x 2.25" Evo, foldable
Wheels Stan's ZTR Arch, Lefty SL Front, DT Swiss 240S Rear	Crank FSA K-Force Light BB30, 44/32/22	Sizes M, L, X



F9

Nu Team Blue w/ Jet Black (gloss) (BLU2).

Race Red w/ Jet Black (gloss) (RED).

Frame CO2, 6061 T-6 alloy, 1 1/8	Shifters Shimano ST-EF50, EZ Fire 8 speed	Brakes Tektro 836 linear pull
Fork RST Gila T, 80mm	Rear Derailleur Shimano Acera	Tires Kenda Small Block 8, 26 x 2.1"
Wheels Maddux EC5.0, double wall	Crank Shimano FC-M311, 42/32/22	Sizes S, M, L, X, J



FLASH CARBON 29'ER 2

Jet Black w/ Magnesium White accents (gloss) (WHT).

Frame New Flash Carbon 29, w/S.A.V.E. and BB30	Shifters SRAM X-7, 9 speed	Brakes Avid Elixir R, 185/160mm
Fork Lefty 29'er Carbon w/DLR, 80mm	Rear Derailleur SRAM X-9	Tires Schwalbe Racing Ralph, 29 x 2.25" Evo, foldable
Wheels DT Swiss X470, Lefty SL Front, DT Swiss 340 Rear	Crank FSA V-Drive BB30, 44/32/22	Sizes M, L, X

TRAIL SL 29'ER



29'ER 1

Ball Burnished (gloss) (BBS).

Frame Flash Alloy 29, w/BB30 and S.A.V.E, 6061 T-6 alloy	Shifters Shimano XT, 9 speed	Brakes Shimano XT, 180/160mm
Fork Lefty 29'er Carbon w/DLR, 80mm	Rear Derailleur Shimano XTR	Tires Schwalbe Racing Ralph, 29 x 2.25" Evo, foldable
Wheels Stan's ZTR Arch, Lefty SL Front, Sun Dirty Flea rear	Crank FSA Afterburner BB30 w/Carbon Spider, 44/32/22	Sizes M, L, X



29'ER 2

Jungle Green (matte) (GRN).

Frame Flash Alloy 29, w/BB30 and S.A.V.E, 6061 T-6 alloy	Shifters SRAM X-7, 9 speed	Brakes Avid Elixir 5, 185/160mm
Fork Lefty 29'er w/DLR, 80 mm	Rear Derailleur SRAM X-7	Tires Kenda Small Block Eight, 29 x 2.1" Foldable
Wheels DT Swiss X470 29, Lefty SL Front, Shimano FH-M529 Rear	Crank FSA V-Drive BB30, 44/32/22	Sizes M, L, X



29'ER 3

Magnesium White (gloss) (WHT).

Frame Flash Alloy 29, w/BB30 and S.A.V.E, 6061 T-6 alloy	Shifters SRAM X-5, 9 speed	Brakes Avid Juicy 3, 185/160mm
Fork Lefty 29'er w/DLR, 80mm	Rear Derailleur SRAM X-7	Tires Kenda Small Block Eight, 29 x 2.1" Wire
Wheels Maddux DC3.0 Disc 29, double wall, w/eyelets	Crank Shimano FC-M442-8, 44/32/22	Sizes M, L, X

1 29'ER SOUL:

For 29'er addicts, riding a big-wheeled bike is a soulful experience. The easy-rolling wheels are perfectly suited for the Lefty fork and, when combined with the efficient, affordable Trail frame, it's a sure winner.

2 TUBING THAT PERFORMS:

We've been building aluminum bikes for longer than some of our riders have been alive. In that time, we've perfected the art of alloy bike building. Better performance at lighter weights. That's the Cannondale alloy promise.

3 STEER STRAIGHT:

The Trail uses the OnePointFive Standard head tube. The oversized design is part of our belief in System Integration, which simultaneously lightens and stiffens the frame. Stiffer frames steer better.



29'ER 4

Jet Black (matte) (BBQ).

Frame Trail SL 29, 6061 T-6 alloy w/S.A.V.E	Shifters Shimano Deore, 9 speed	Brakes Tektro Auriga Comp Hydraulic Disc, 185/160mm
Fork RST Deuce 29'er 1.5 Air, 80mm, 32 mm stanchions	Rear Derailleur Shimano Deore	Tires Kenda Small Block Eight, 29 x 2.1" Wire
Wheels Maddux DC3.0 Disc 29, double wall, w/eyelets	Crank Shimano FC-M442-8, 44/32/22	Sizes M, L, X



29'ER 5

Race Red (gloss) (RED).

Frame Trail SL 29, 6061 T-6 alloy w/S.A.V.E	Shifters None	Brakes Avid BB5 Mechanical Disc, 185/160mm
Fork Rigid Aluminum Post Mount 29'er	Rear Derailleur None	Tires Kenda Small Block Eight, 29 x 2.1" Wire
Wheels Maddux DC3.0 Disc 29, double wall, w/eyelets	Crank Truvativ Isoflow 1.0G, 33T	Sizes M, L, X



**RECREATION
& URBAN**

FOR FITNESS, FUN, AND TRAVEL.

QUICK

1 PERFORMANCE:

At EUROBIKE 2009, spectators' jaws dropped when they saw the Stealth Concept bike. The Quick brings the industrial design of that concept bike to the street, it includes performance-oriented System Integration like BB30, boasts comfort features like S.A.V.E. and has the utility features of Urban bikes – such as eyelets for rack and fenders.

2 S.A.V.E.:

Borrowed from the Synapse for the Quick, the Active Vibration Elimination gives compliance in the stays for rider comfort, but retains lateral stiffness for no power loss or pedaling inefficiency. From Navy Pier to Nashville, commuters and fitness riders alike can enjoy the comfort of S.A.V.E. stays.

3 PEDALING EFFICIENCY:

Fitness bikes should have performance features, too. The Cannondale-developed BB30 shell on the Quick delivers superb power transfer and allows riders to use the Hollowgram – the lightest crankset on the market.



QUICK CARBON 1

Matte UD Carbon (CRB).

Frame Quick, Full Carbon, BB30 Si

Fork Quick, Full Carbon, Si

Wheels Formula XERO Element CXR

Shifters Shimano SL-R770, 10 speed

Rear Derailleur Shimano Ultegra 6700

Crank FSA SLK BB30 Compact MegaExo, 50/34

Brakes TRP Mini-V CX9 w/cartridge pads

Tires Kenda Kwick Roller Sport, 700 X 28c

Sizes S, M, L, X, J



Peter Bradshaw and his Quick: part of the pedestrian traffic near Boston Harbor.
Chris Millman



Crank Option:
FSA Gossamer BB30 Triple, 52/39/30

QUICK CARBON 2

Matte UD Carbon (CRB).

Frame Quick, Full Carbon, BB30 Si

Fork Quick, Full Carbon, Si

Wheels Formula XERO Element CXR

Shifters Shimano SL-R770, 10 speed

Rear Derailleur Shimano 105 Black

Crank FSA Gossamer BB30 Compact, 50/34

Brakes TRP Mini-V CX9 w/cartridge pads

Tires Kenda Kwick Roller Sport, 700 X 28c

Sizes S, M, L, X, J



QUICK 1

Ball Burnished w/Gloss Clearcoat (gloss) (BBS).

Frame Quick, Hydroformed 6061 alloy w/carbon seat stays	Shifters Shimano SL-R770, 10 speed	Brakes Tektro Mini-V w/cartridge pads
Fork Ultra X All-Conditions Carbon	Rear Derailleur Shimano Ultegra SL double	Tires Kenda Kwick Roller Sport, 700 X 28c
Wheels Mavic Aksium Race	Crank FSA Gossamer Compact MegaExo, 50/34	Sizes S, M, L, X, J



QUICK 4

Patriot Blue (gloss) (BLU).

Frame Quick, mech formed, 6061 alloy	Shifters SRAM X-5 trigger, 8 speed	Brakes Tektro TK-B18 linear pull w/cartridge pad
Fork Ultra X All-Conditions Carbon	Rear Derailleur SRAM X-5	Tires Kenda Kwick Trax, 700 X 32c
Wheels Cannondale C3, Shimano RM40/30, 32 hole	Crank Shimano FC-M341, 48/38/28	Sizes S, M, L, X, J



Charcoal Grey (gloss) (GRY).



QUICK 2

Jet Black w/Matte Clearcoat (matte) (BBQ).

Frame Quick, Hydroformed 6061 alloy w/carbon seat stays	Shifters Shimano SL-R440, 9 speed	Brakes Tektro Mini-V
Fork Ultra X All-Conditions Carbon	Rear Derailleur Shimano 105 triple	Tires Kenda Kwick Roller Sport, 700 X 32c
Wheels Formula CXR 350	Crank FSA Omega MegaExo Triple, 50/39/30	Sizes S, M, L, X, J



Grey (matte) (GRY).



QUICK 5

Titanium Grey (gloss) (GRY).

Frame Quick, mech formed, 6061 alloy	Shifters Shimano SL-EF50 EZ-Fire, 8 speed	Brakes Lee Chi TX-120 linear pull
Fork Cannondale Alloy Straight Blades	Rear Derailleur Shimano Alivio	Tires Kenda Kwick Trax, 700 X 38c
Wheels Cannondale C4, Formula 31/32, 32hole	Crank Shimano FC-M151, 24/38/28	Sizes S, M, L, X, J



Jet Black (gloss) (BLK).



QUICK 3

Charcoal Grey (gloss) (GRY).

Frame Quick, Hydroformed 6061 alloy w/carbon seat stays	Shifters SRAM X-5 trigger, 9 speed	Brakes Tektro Mini-V
Fork Ultra X All-Conditions Carbon	Rear Derailleur SRAM X-7	Tires Kenda Kwick Roller Sport, 700 X 32c
Wheels Cannondale C3, Shimano RM40/30, 32 hole	Crank Shimano FC-M443, 48/36/26	Sizes S, M, L, X, J



Brilliant Blue (gloss) (BLU).



QUICK 6

Fine Silver (gloss) (SLV).

Frame Quick, mech formed, 6061 alloy	Shifters Shimano SL-EF40 EZ-Fire, 7 speed	Brakes Lee Chi TX-120 linear pull
Fork TiG-welded Cro-Mo, Straight Blades	Rear Derailleur Shimano Altus	Tires Kenda Kwick Trax, 700 X 38c
Wheels Cannondale C4, Formula 31/32, 32hole	Crank Shimano FC-M151, 48/38/28	Sizes S, M, L, X, J



Vivid Blue (gloss) (BLU).

QUICK CX

1 ALL-WEATHER COMMUTER:

With a mountain bike frame, disc brakes and fast-rolling 700c tires, the Quick CX is a commuter's dream bike. The flat bars give an upright seating position for dodging urban traffic, plus riders can run fenders and a rack for hauling groceries. The do-it-all bike has arrived.

2 GO EVERYWHERE IN STYLE:

Even people who haven't thought about bikes in years are drawn to the Quick CX. Thoughtful spec, anodized bits, and the practicality of nimble 700c wheels with front suspension and rack eyelets make it a go-anywhere choice.

3 COMPLETE INTEGRATION:

Cannondale's history of System Integration makes bikes lighter and improves performance. For example, HeadShok Fatty forks give 80mm of air-sprung travel at 1290 grams – and have the best stiffness-to-weight ratio in the industry. The stiction-free performance ensures you'll roll along in comfort!



QUICK CX ULTRA

Raw Hi-Bright (gloss) (RAW).

Frame Quick CX, double butted, mech formed, 6061 alloy w/internal disc mount
Fork HeadShok Fatty Ultra, air sprung DL 80 w/lock out
Wheels Maddux DC 3.0, Formula DC 20/22,32 hole

Shifters Shimano Deore, 9 speed
Rear Derailleur Shimano Deore
Crank Shimano M442, 48/38/28

Brakes Shimano 486 Disc
Tires Kenda Small block Eight, 700 x 35c, 120 TPI, folding
Sizes S, M, L, X, J



QUICK CX FS

Magnesium White (gloss) (WHT).

Frame Quick CX, double butted, mech formed, 6061 alloy w/internal disc mount
Fork RST Duece 29, Air sprung 80mm w/lock out
Wheels Maddux DC 3.0, Formula DC 20/22,32 hole

Shifters SRAM X-5, 8 speed
Rear Derailleur SRAM X-5
Crank Shimano M361, 48/38/28

Brakes Tektro Auriga Comp Hydraulic
Tires Kenda Small block Eight, 700 x 35c, 120 TPI, folding
Sizes S, M, L, X, J



QUICK CX RIGID

Charcoal Grey (gloss) (GRY).

Frame Quick CX, double butted, mech formed, 6061 alloy w/internal disc mount
Fork Fatty Rigid Alloy
Wheels Maddux DC 3.0, Formula DC 20/22,32 hole

Shifters SRAM X-4, 8 speed
Rear Derailleur SRAM X-4
Crank Shimano M361, 48/38/28

Brakes Tektro IO mechanical disc
Tires Kenda Small block Eight, 700 x 35c, 120 TPI, folding
Sizes S, M, L, X, J

BAD BOY

1 CAFÉ RACER:

The bike that started the matte black revolution is now even more coffee house avant garde. This year the Bad Boy has a solo Lefty rigid fork. Because the front wheel bolts on, it gives better theft protection in urban environments.

2 THE ORIGINAL BLACK BIKE:

A decade ago, Cannondale mechanics and product managers developed a bike that could swap disc-equipped 26-inch wheels with 700c wheels. Originally, it was a race-one-day, train-the-next-day bike for our XC racers. Then we painted it matte black and sold it to the masses. Since then, black bikes have become *de rigueur*.

3 DISC VERSATILITY:

Disc brake-equipped models of the Bad Boy give riders sure-footed braking in all weather. They also allow riders to swap wheelsets. Want a road ride? Use 700c wheels. Going on a trail ride? Swap out the 700c slicks for 26-inch knobbies.



BAD BOY SOLO

Jet Black (matte) (BBQ).

Frame Bad Boy Caffeine, MTB, 6061 alloy	Shifters SRAM X-7, 9 speed	Brakes Avid Juicy 3
Fork Fatty Solo DL 50 Urban w/lock out	Rear Derailleur SRAM X-7	Tires Schwalbe Kojak, 700 X 28c Bad Boy
Wheels Jalco SR300 Disc, Lefty SL/ Formula DC22, 32 hole	Crank FSA Bad Boy 48/36/26, 9-speed	Sizes P, S, M, L, X



BAD BOY DISC

Jet Black (matte) (BBQ).

Frame Bad Boy, mech formed, 6061 alloy, Urban 700c	Shifters Shimano Deore, 9 speed	Brakes Tektro Auriga Comp
Fork Fatty Solo Rigid	Rear Derailleur Shimano Deore	Tires Schwalbe Kojak, 700 x 28c Bad Boy
Wheels Cannondale C3 Urban, Lefty SL/Shimano RM30, 32 hole	Crank FSA Bad Boy, 48/36/26	Sizes S, M, L, X



BAD BOY

Jet Black (matte) (BBQ).

Frame Bad Boy, mech formed, 6061 alloy, Urban 700c	Shifters Shimano Acera, 8 speed	Brakes Tektro V-brake
Fork Fatty Rigid	Rear Derailleur Shimano Alivio	Tires Schwalbe Kojak, 700 x 28c Bad Boy
Wheels Cannondale C3 Urban, Formula OV31/Shimano RM30, 32 hole	Crank FSA Bad Boy, 48/38/28	Sizes S, M, L, X

HOOLIGAN

CAPO

1 DELTA V:

One of the strongest frame designs on the market, Cannondale's venerable Delta V frame has been resurrected for use on the Hooligan. It's ready for anything – from shenanigans on the front steps of city hall, to long commutes on pothole-filled streets.

2 PLAY BIKE POTENTIAL:

The best 'play' bike on the market is the Hooligan. It's nimble, fast and fun. But it's loaded with enough performance that riders won't suffer when they join their families on long Sunday rides along the rail trail. The adjustable stem allows riders to fine tune their fit.

3 URBAN SOLUTION:

Small wheels might just be the ultimate solution for urban environments. The 20-inch wheels are incredibly nimble to better deal with dodgy traffic, but they also reduce the overall wheelbase – which makes the Hooligan more convenient to carry up to second-story duplexes.

1 LEGIT:

Impress all your hardcore bike friends: With track wheels and choice of drops or a flat bar, the 2010 Capo is a modern day iteration of the Indiana Little 500 winner. Race it in the local keirin or against the city's fleet of cabbies.

2 SIMPLICITY:

Riding a one-speed bike – whether it's fixed or freewheel – is a commentary on simplicity. It's the embrace of austerity and wholesale rejection of complexity. All of which makes Cannondale's pure alloy craftsmanship and powerfully raw tube shapes the perfect ride for the Luddites among us.

3 POWERPYRAMID DOWN TUBE:

Cannondale's engineers design each tube shape to maximize performance. On the PowerPyramid, the tube wall is thicker at the head tube junction for impact resistance, while the oversized, thinner wall diameter at the BB shell resists torsional flex.



HOOLIGAN 3

Jet Black (matte) (BBQ).

Magnesium White (gloss) (WHT).

Frame	Hooligan Delta V, Urban Compact, 6061 alloy, 20" wheel
Fork	Cannondale Solo Rigid
Wheels	Jalco X320 Disc 20", LeftySL/SRAM I Motion 3

Shifters	SRAM I Motion, 3 speed
Rear Derailleur	N/A
Crank	FSA Vero Double Bash Guard, RED anodized 42

Brakes	AVID BB5, Cable Actuated Disc
Tires	Schwalbe Kojak 1.35" race guard
Sizes	One Size



HOOLIGAN 8

Magnesium White (gloss) (WHT).

Frame	Hooligan Delta V, Urban Compact, 6061 alloy, 20" wheel
Fork	Cannondale Fatty Rigid
Wheels	Jalco X320 Disc 20", Formula DC 20/22

Shifters	Shimano M410 Alivio, trigger, 8 speed
Rear Derailleur	Shimano 2300, 8-speed
Crank	FSA Tempo Double Bash Guard 42

Brakes	Tektro IO Cable Actuated Disc
Tires	Kenda Kwest 1.5"
Sizes	One Size



CAPO 1

Ball Burnished (gloss) (BBS).

Frame	CAAD5 Track, 6061 alloy
Fork	Aluminum Aero Low Profile
Wheels	Mavic Ellipse Track Aero

Shifters	N/A
Rear Derailleur	N/A
Crank	FSA Vero 46t, JIS BB 170mm

Brakes	Tektro R520, black w/cartridge pad
Tires	Vittoria Zaffiro Slick, 700 X 25c
Sizes	48, 50, 52, 54, 56, 58, 60, 63cm



CAPO 2

Jet Black (gloss) (BLK).

Frame	CAAD5 Track, 6061 alloy
Fork	Aluminum Aero Low Profile
Wheels	Jalco GX460 High Polish, Formula Track Hubs

Shifters	N/A
Rear Derailleur	N/A
Crank	FSA Vero 46t, JIS BB 170mm

Brakes	Tektro R520, black w/cartridge pad
Tires	Vittoria Zaffiro Slick, 700 X 25c
Sizes	48, 50, 52, 54, 56, 58, 60, 63cm

TANDEMS

1 INCREDIBLE PERFORMANCE:

Steel tandem frames simply can't match the power transfer of Cannondale's tandems. A redesigned boom tube, oversized pilot seat tube, PowerPyramid down tube, giant chain stays and dropouts all ensure that maximum power is applied to the rear wheel.

2 REVISED GEOMETRY:

Taller head tube and shorter top tube give the captain better control and more comfort, while a longer top tube for the stoker gives a more comfortable position.

3 DOUBLE YOUR FUN:

A sidekick. A comrade. A friend. Whatever you call it, most everything in life is better with a partner in crime. That's no less true with Cannondale's tandems. Get out and ride and take someone with you. You'll love it. We promise.



ROAD TANDEM 3

Jet Black (gloss) (BLK).
Mediterranean Blue (gloss) (MED).

Frame CAAD Tandem, mech formed, oversized, 6061 alloy, 700c	Shifters Shimano Tiagra, 9 speed	Brakes Cannondale Fire w/cartridge pad, Travel Agents
Fork Fatty R Tandem rigid	Rear Derailleur Shimano LX	Tires Vittoria Randonneur w/Double Shielding, 700 x 28c
Wheels Sun ME14A, Shimano Tandem, 40 hole	Crank FSA Gossamer Tandem, 53/39/30	Sizes MS, LS, XS, JM



ROAD TANDEM 2

Lightning White (gloss) (WHT).

Frame CAAD Tandem, mech formed, oversized, 6061 alloy, 700c	Shifters Shimano Ultegra, 10 speed	Brakes Avid BB7 Road Disc
Fork Fatty R Tandem rigid	Rear Derailleur Shimano Ultegra Triple	Tires Continental Ultra GatorSkin, 700 x 28c
Wheels Sun ME14A, White Industries Mi6, 40 hole	Crank FSA Gossamer Tandem, 53/39/30	Sizes MS, LS, XS, JM



STREET TANDEM

Vintage Moss (gloss) (GRN).
Jet Black (matte) (BBQ).

Frame CAAD Tandem, mech formed, oversized, 6061 alloy, 26"	Shifters SRAM X-4 trigger, 8 speed	Brakes Cannondale Fire w/cartridge pad
Fork Fatty R Tandem rigid	Rear Derailleur SRAM X-5	Tires Continental Town&Country, wire, 26 x 2.1"
Wheels Sun Rhyno Lite, Shimano Tandem, 40 hole	Crank Truvativ 5D Tandem, 48/38/28	Sizes MS, LS, XS, JM

TOURING

1 POWERPYRAMID DOWN TUBE:

Cannondale's engineers design each tube shape to maximize performance. On the PowerPyramid, the tube wall is thicker at the head tube junction for impact resistance, while the oversized, thinner wall diameter at the BB shell resists torsional flex.

2 WISHBONE STAYS:

They give the exceptional strength that round-the-world commuters need with the lateral stiffness to drive all of the cyclist's power to the rear wheel. Eyelets abound for fenders and racks – and the rear dropouts are trailer-friendly, too!

3 HISTORY AND LONGEVITY:

Back in 1983, Cannondale made its very first frame: A touring bike. Since then, it has always been in the line. So we know a little bit about touring. So from the market in Karachi to the grocery in Kalispell, Cannondale touring bikes have been there, done that.



TOURING 1

Lightning White (gloss) (WHT).

Frame CAAD Touring, 6061 alloy	Shifters Shimano Ultegra, 10 speed	Brakes Tektro Oryx cantilever w/cartridge pad
Fork Fatty R All-Conditions	Rear Derailleur Shimano Ultegra Triple	Tires Schwalbe Marathon Racer w/RaceGuard belt, 700 x 32c, Reflective
Wheels Mavic A719, Shimano LX, 36 hole	Crank Shimano 105 Triple, 30/39/50	Sizes S, M, L, X, J



TOURING 2

Jungle Green (gloss) (GRN).

Frame CAAD Touring, 6061 alloy	Shifters Shimano Tiagra, 9 speed	Brakes Tektro Oryx cantilever w/cartridge pad
Fork TIG-welded chromoly	Rear Derailleur Shimano LX	Tires Schwalbe Marathon Racer w/RaceGuard belt, 700 x 32c, Reflective
Wheels Mavic A119, Shimano LX, 36 hole	Crank Shimano FC-M443, 26/36/48	Sizes S, M, L, X, J

ADVENTURE

1 NEW GEOMETRY:

All new geometry for 2010 gives the Adventure a bit more performance. Inspired by the geometry of recreational bikes from Europe, the changes allow cyclists to ride more efficiently, whether commuting to work or pulling kids in a trailer on a quiet Saturday morning. The redesign also enhances the frame's S.A.V.E. features.

2 RACK AND FENDER READY:

Like most of Cannondale's recreational bikes, the Adventure is ready for duty. Eyelets for racks, clearance for fenders, and the ability to pull a trailer all define Cannondale's recreational series of bikes.

3 MANUFACTURING QUALITY:

Cannondale's trademark double-pass, smooth-welded technology virtually eliminates the stress risers possible on machine-welded frames and gives the frames a finished, handcrafted aesthetic.



ADVENTURE 2

Cadet Blue (matte) (BLU).

Frame Adventure, mech formed, 6061 alloy	Shifters Shimano Nexus Twist type, 8 speed	Brakes Cannondale V Brake, w/modulator
Fork Adventure Trail Si suspension, 35mm	Rear Derailleur N/A	Tires Kenda Kwick Trax, 700 x 38c
Wheels Cannondale C3, Shimano RM40/Nexus Premium 8 speed, 36 hole	Crank FSA Single Ring, 38	Sizes S, M, L, X, J



Touring Green (gloss) (GRN).



ADVENTURE 3

Velvet Red (gloss) (RED).

Frame Adventure, mech formed, 6061 alloy	Shifters SRAM SX5 Twist type, 8 speed	Brakes Cannondale V Brake, w/modulator
Fork Adventure Trail Si suspension, 35mm	Rear Derailleur SRAM X-7	Tires Kenda Kwick Trax, 700 x 38c
Wheels Cannondale C3, Shimano 40/30,36 hole	Crank Shimano M361 48/38/28	Sizes S, M, L, X, J

Jet Black (gloss) (BLK).

1 NEW GEOMETRY:

All new geometry for 2010 gives the Comfort a bit more performance. But all of the favorite Comfort features – wide, stable tires and a cushy seat with an upright stem – remain the same. The redesign also enhances the frame's S.A.V.E. features.

2 RACK AND FENDER READY:

Duty calls. Sometimes that means hauling a Burley trailer down the rail trail, and sometimes that means commuting to work when the family truckster is in the garage. Whatever the use, sturdy dropouts on the Comfort accommodate racks, fenders and trailers.

3 MANUFACTURING QUALITY:

Cannondale's trademark double-pass, smooth-welded technology virtually eliminates the stress risers possible on machine-welded frames and gives the frames a finished, handcrafted aesthetic.



ADVENTURE 4

Nu Team Blue (gloss) (BLU).

Danish Sand Castle Grey (matte) (GRY).

Frame Adventure, mech formed, 6061 alloy	Shifters SRAM SX4 Twist type, 8 speed	Brakes Cannondale V Brake, w/modulator
Fork Spinner Tridium AC 50mm Travel	Rear Derailleur SRAM X-5	Tires Kenda Kwick Trax, 700 x 38c
Wheels Cannondale C3, Formula FM21/32, 36hole	Crank Shimano M191 48/38/28	Sizes S, M, L, X, J



COMFORT 4

Velvet Red (gloss) (RED).

Danish Sand Castle Grey (matte) (GRY).

Frame Comfort, mech formed, 6061 alloy, relaxed geometry	Shifters SRAM SX4 Twist type, 8 speed	Brakes Cannondale V Brake, w/modulator
Fork Spinner Tridium CR w/preload adjust, 63 mm travel	Rear Derailleur SRAM X-5	Tires Kenda NPJ signature, 26 x 1.25"
Wheels Cannondale C3, Formula FM21/32, 36hole	Crank Shimano FC-M191, 48/38/28	Sizes S, M, L, X, J



ADVENTURE 5

Jet Black (gloss) (BLK).

Magnesium White (gloss) (WHT).

Frame Adventure, mech formed, 6061 alloy	Shifters Shimano Revo Twist type, 8 speed	Brakes Cannondale V Brake, w/modulator
Fork Spinner Tridium AC 50mm Travel	Rear Derailleur Shimano Alivio	Tires Kenda Kwick Trax, 700 x 38c
Wheels Cannondale C4, Formula FM21/32, 36hole	Crank Shimano M151 48/38/28	Sizes S, M, L, X, J



COMFORT 5

Jet Black (gloss) (BLK).

Nu Team Blue (gloss) (BLU).

Frame Comfort, mech formed, 6061 alloy, relaxed geometry	Shifters Shimano Revo Twist type, 8 speed	Brakes Cannondale V Brake, w/modulator
Fork Spinner Tridium CR, 63 mm travel	Rear Derailleur Shimano Alivio	Tires Kenda NPJ signature, 26 x 1.25"
Wheels Cannondale C4, Formula FM21/32, 36hole	Crank Shimano FC-M151, 48/38/28	Sizes S, M, L, X, J

Kyberli Fant waits for her riding partners, northern California.
Chris Millman



FÉMININE
FOR YOU.

SYNAPSE FÉMININE

1 FÉMININE BENEFITS:

The most comfortable bike in Cannondale's road line is now spec'd with bars, saddles, and the thoughtful geometry choices that give women and short-statured riders a more comfortable riding position.

2 S.A.V.E.:

Nobody wants a sore bum or numb wrists on a long ride. That's why the Synapse's Active Vibration Damping gives compliance in the stays to reduce annoying road buzz, but retains lateral stiffness for no power loss or pedaling inefficiencies.

3 GEOMETRY:

A more upright riding position gives riders comfortable, predictable handling. The result is ride-all-day handling qualities – vitally important for long-distance charity events or relaxed training days.



SYNAPSE HI-MOD FÉMININE 1

Jet Black, Magnesium White (gloss) (BLK).

Frame Synapse HI-MOD Carbon Féminine Si, S.A.V.E., BB30	Shifters Shimano Dura-Ace, reach adjust, 10 speed	Brakes Shimano Dura-Ace
Fork Synapse HI-MOD full carbon, S.A.V.E., carbon dropouts	Rear Derailleur Shimano Dura-Ace	Tires Schwalbe Ultramo DD, 700 x 25c, foldable
Wheels Mavic Ksyrium SL	Crank FSA SL-K Carbon Light BB30 Compact, 50/34	Sizes 44, 48, 51, 54cm



SYNAPSE CARBON FÉMININE 3

Fine Silver, Magnesium White (gloss) (SLV).

Frame Synapse Carbon Féminine Si, S.A.V.E., BB30	Shifters Shimano Ultegra 6700, reach adjust, 10 speed	Brakes Shimano Ultegra 6700
Fork Synapse full carbon, S.A.V.E.	Rear Derailleur Shimano Ultegra 6700	Tires Schwalbe Ultramo DD, 700 x 25c, foldable
Wheels Shimano RS80 Carbon Clincher	Crank FSA SL-K Carbon Light BB30 Compact, 50/34	Sizes 44, 48, 51, 54cm



SYNAPSE CARBON FÉMININE 4

Turquoise, Magnesium White (gloss) (BLU). Charcoal Grey, Fine Silver (gloss) (GRY). Paint & graphics see Synapse Carbon Féminine 5

Frame Synapse Carbon Féminine Si, S.A.V.E., BB30	Shifters SRAM Rival w/Carbon levers, reach adjust, 10 speed	Brakes Tektro R580 w/cartridge pads
Fork Synapse full carbon, S.A.V.E.	Rear Derailleur SRAM Rival	Tires Vittoria Diamante Pro, 700 x 25c, foldable
Wheels Mavic Aksium Race	Crank FSA Gossamer BB30 Compact, 50/34	Sizes 44, 48, 51, 54cm



Crank Option:
FSA Gossamer BB30
Triple, 52/39/30



Crank Option:
FSA Gossamer MegaExo
Triple, 52/39/30



SYNAPSE CARBON FÉMININE 5

Ruby Red, Magnesium White (gloss) (RED).
Charcoal Grey, Fine Silver (gloss) (GRY).

Frame Synapse Carbon Féminine Si, S.A.V.E., BB30	Shifters Shimano ST-R700, reach adjust, 10-speed	Brakes Tektro R580 w/cartridge pads
Fork Synapse full carbon, S.A.V.E.	Rear Derailleur Shimano 105	Tires Vittoria Zaffiro Pro Slick, 700 x 25c, foldable
Wheels Shimano RS10	Crank FSA Gossamer BB30 Compact, 50/34	Sizes 44, 48, 51, 54cm

SYNAPSE FÉMININE 5

Egyptian Blue (gloss) (BLU).
Magnesium White Pearl (gloss) (WHT).

Frame Synapse Féminine, S.A.V.E., 6061 alloy	Shifters Shimano ST-R700, reach adjust, 10-speed	Brakes Tektro R538 long reach w/cartridge pads
Fork Synapse S.A.V.E. carbon blades	Rear Derailleur Shimano 105	Tires Vittoria Zaffiro Pro Slick, 700 x 25c, foldable
Wheels Shimano RS10	Crank FSA Gossamer MegaExo Compact, 50/34	Sizes 44, 48, 51, 54cm



Crank Option:
Shimano Tiagra Triple,
50/39/30



Crank Option:
Shimano Tiagra Triple,
50/39/30

SYNAPSE CARBON FÉMININE 6

Magnesium White, Jet Black (gloss) (WHT).

Egyptian Blue, Magnesium White (gloss) (BLU).

Frame Synapse Carbon Féminine Si, S.A.V.E., BB30	Shifters Shimano Tiagra, 9 speed	Brakes Shimano Tiagra
Fork Synapse S.A.V.E. carbon blades	Rear Derailleur Shimano Tiagra	Tires Vittoria Zaffiro Pro Slick, 700 x 25c, foldable
Wheels Maddux R3.0 SL, Formula RB51/52 Hubs, 24/28 hole	Crank Shimano Tiagra Compact, 50/34	Sizes 44, 48, 51, 54cm

SYNAPSE FÉMININE 6

Green Pearl (gloss) (GRN).

Jet Black (gloss) (BLK).

Frame Synapse Féminine Si, S.A.V.E., 6061 alloy	Shifters Shimano Tiagra, 9 speed	Brakes Tektro R316 long reach w/cartridge pads
Fork Synapse S.A.V.E. carbon blades	Rear Derailleur Shimano Tiagra	Tires Vittoria Zaffiro Slick, 700 x 25c
Wheels Maddux R3.0 SL, Formula RB51/52 Hubs, 24/28 hole	Crank Shimano Tiagra Compact, 50/34	Sizes 44, 48, 51, 54cm

SIX FÉMININE

1 FÉMININE BENEFITS:

Race-bred performance for ladies. For women who join the local crit or travel to the cycling classics, the Six is a no-holds-barred competitor made just for you.

2 UNPARALLELED POWER DELIVERY:

The Six boasts a full carbon chain and seat stay triangle, down to the dropouts. Better performance, lighter weight and the raw performance you need at the finish line comes from the asymmetric chain stays and all-carbon rear structure.

3 COMPLIANCE:

The 15mm hourglass-shaped seat stays lend compliance for greater rider comfort over the long haul, but yield nothing to energy-sapping lateral movement.



Crank Option:
Shimano Ultegra
Compact, 50/34

SIX FÉMININE 3

Magnesium White, Jet Black (gloss) (WHT).

Frame Six Féminine Si, carbon rear triangle, carbon dropout

Shifters Shimano Ultegra 6700, reach adjust, 10 speed

Brakes Shimano Ultegra 6700

Fork Six mono-coque full carbon

Rear Derailleur Shimano Ultegra 6700

Tires Schwalbe Ultrero DD, 700 x 23c, foldable

Wheels Shimano RS80 Carbon Clincher

Crank Shimano Ultegra Double 53/39

Sizes 44, 48, 51, 54cm



Mandy Braverman suits up for the Wednesday night criterium as Luna keeps watch. Bethel, Connecticut. Adam Coppola



SIX FÉMININE 4

Turquoise, Jet Black (gloss) (BLU).

Frame Six Féminine Si, carbon rear triangle, carbon dropout

Shifters SRAM Rival w/Carbon levers, reach adjust, 10 speed

Brakes Tektro R580 w/cartridge pads

Fork Six mono-coque full carbon

Rear Derailleur SRAM Rival

Tires Vittoria Zaffiro Pro Slick, 700 x 23c, foldable

Wheels Mavic Aksium Race

Crank SRAM Rival Compact, 50/34

Sizes 44, 48, 51, 54cm

CAAD9 FÉMININE

1 FÉMININE BENEFITS:

The best performance available in a road bike, bar none. And now it's available for ladies! Shorter reach, better standover clearance, and a more comfortable riding position for women are hallmarks of Cannondale's CAAD9 Féminine.

2 ALLOY PERFORMANCE:

The CAAD9 is the best alloy bike at any price. Cannondale's quarter century of aluminum design experience means the CAAD9 is the most refined and technologically advanced alloy frame on the planet. In short, it outperforms lesser carbon frames.

3 BB30:

The Cannondale-developed BB30 standard brings new levels of efficiency to BB shells and cranksets. The oversized design resists power loss from twisting and allows our engineers to shave weight.



CAAD9 FÉMININE 5

Hi-Bright (gloss) (RAW).

Magnesium White (gloss) (WHT).

Frame CAAD9 Féminine Si, taper butted, Optimo alloy, BB30
Fork Slice Premium monocoque full carbon
Wheels Shimano RS10

Shifters Shimano ST-R700, reach adjust, 10-speed
Rear Derailleur Shimano 105
Crank FSA Gossamer BB30 Compact, 50/34

Brakes Tektro R580 w/cartridge pads
Tires Vittoria Zaffiro Pro Slick, 700 x 23c, foldable
Sizes 44, 48, 51, 54cm

CAAD8 S FÉMININE

1 FÉMININE BENEFITS:

Can't decide between an Elite bike or Cannondale's Synapse? Then choose the CAAD8. With women-friendly specs and geometry that's tweaked for all kinds of riding, you can compete, commute, and ride for fitness.

2 GEOMETRY:

A slightly more upright riding position gives riders comfortable, predictable handling. The geometry straddles Elite and Performance ride characteristics for the best of both worlds.

3 MANUFACTURING QUALITY:

Who doesn't love pretty? With Cannondale's trademark double-pass, smooth-welded technology the finished, handcrafted aesthetic shines through.



CAAD8 FÉMININE 6

Mediterranean Blue (gloss) (MED).

Magnesium White (gloss) (WHT).

Frame CAAD8 S Féminine Si, double butted, 6061 alloy
Fork Slice Ultra Carbon blades
Wheels Maddux R3.0, Formula RB51/52, 24/28 hole

Shifters Shimano Tiagra, 9 speed
Rear Derailleur Shimano Tiagra
Crank Shimano Sora Triple, 50/39/30

Brakes Cannondale C4 w/cartridge pads
Tires Vittoria Zaffiro, 700 x 25c
Sizes 44, 48, 51, 54cm



Crank Option:
Shimano Tiagra Triple, 50/39/30

CAAD9 FÉMININE 6

Magnesium White (gloss) (WHT).

Jet Black (gloss) (BLK).

Frame CAAD9 Féminine Si, taper butted, Optimo alloy, BB30
Fork Slice Ultra Carbon blades
Wheels Maddux R3.0 SL, Formula RB51/52 Hubs, 24/28 hole

Shifters Shimano Tiagra, 9 speed
Rear Derailleur Shimano Tiagra
Crank Shimano Tiagra Compact, 50/34

Brakes Tektro R520 w/cartridge pads
Tires Vittoria Zaffiro Slick, 700 x 23c
Sizes 44, 48, 51, 54cm



CAAD8 FÉMININE 8

Fine Silver (gloss) (SLV).

Jet Black (gloss) (BLK).

Frame CAAD8 S Féminine Si, double butted, 6061 alloy
Fork Slice Ultra Carbon blades
Wheels Maddux R3.0, Formula RB51/52, 24/28 hole

Shifters Shimano 2300, 8 speed
Rear Derailleur Shimano 2300
Crank FSA Tempo, 52/42/30

Brakes Cannondale C4 w/cartridge pads
Tires Vittoria Zaffiro, 700 x 25c
Sizes 44, 48, 51, 54cm

SCALPEL FÉMININE

1 FÉMININE BENEFITS:

With more cross-country podiums under its belt than the competition, the Scalpel is a perfect choice for women who race in the dirt. Components, geometry and paint packages are all tuned to appeal to women who race in the big ring.

2 LIGHTEN THE LOAD:

The new magnesium link ensures the same great performance from the Zero Pivot suspension system on the Scalpel, AND lightens total frame weight by 30 grams!

3 ULTRA-EFFICIENT:

New for 2010, the Hi-MOD layup of the Scalpel Team bike optimizes lateral and torsional stiffness while shaving an astounding 100 grams from the frame weight. The winningest frame on the World Cup circuit continues to get better.



MonaVie-Cannondale rider Sue Butler, schooling bystanders about the course.
Jose Brujo Sandoval



SCALPEL FÉMININE 1

Ball Burnished (gloss) (BBS).

Frame Scalpel Féminine Si, BB30, 100mm/ Fox Float RP23	Shifters SRAM X-0 Pinkslip, 9 speed	Brakes Avid Elixir R, 160/160mm
Fork Lefty Speed Carbon w/DLR SL, 110 mm	Rear Derailleur SRAM X-0 Pinkslip	Tires Schwalbe Racing Ralph EVO, 26 x 2.2", foldable
Wheels DT Swiss XCR 1.5, 24 hole	Crank FSA Afterburner BB30 w/Carbon Spider, 44/32/22	Sizes P, S, M



SCALPEL FÉMININE 2

Magnesium White, Turquoise (gloss) (WHT).

Frame Scalpel Féminine Si, BB30, 100mm/ RockShox Monarch 2.1	Shifters SRAM X-7, 9 speed	Brakes Hayes Stroker Ryde, 160/160mm
Fork Lefty Speed w/DLR, 110 mm	Rear Derailleur SRAM X-7	Tires Schwalbe Racing Ralph EVO, 26 x 2.2", foldable
Wheels Maddux DC 3.0, Lefty SL 24 hole, Formula 28 hole	Crank Truvativ FireX 3.2, 44/24/22	Sizes P, S, M

RZ ONE TWENTY FÉMININE

1 FÉMININE BENEFITS:

For a bit more travel on a bike that fits, try the RZ One Twenty. For all-conditions trail riding, a general-purpose fun bike, or a marathon racer, the One Twenty is perfect for hard-core women riders.

2 IMPROVED STANDOVER:

Using size-appropriate links improves suspension performance and lowers standover clearance on the small sizes. It also gives size-specific handling for better maneuverability in tight terrain.

3 BACKBONE:

Borrowed from the RZ One Forty, the one-piece seat tube, BB shell and lower pivot housing on the One Twenty are three-dimensionally forged for the ultimate in strength. No welds. No weak points.



Wendy Welling tames the trail, Annandale State Park, Santa Rosa, California.
Chris Millman



RZ ONE TWENTY FÉMININE 2

Magnesium White (gloss) (WHT).

Frame RZ One Twenty Féminine Si, BB30, 120mm/ Fox Float	Shifters SRAM X-7, 9 speed	Brakes Hayes Stroker Trail, 160/160mm
Fork Lefty Ultra w/PBR, 120mm	Rear Derailleur SRAM X-9	Tires Schwalbe Rocket Ron EVO, 26 x 2.25", foldable
Wheels DT Swiss XCR 1.7, 24/28 hole	Crank FSA V-Drive BB30, 44/32/22	Sizes P, S, M



RZ ONE TWENTY FÉMININE 3

Jet Black (matte) (BBQ).

Frame RZ One Twenty Féminine Si, BB30, 120mm/ X Fusion RL2	Shifters Shimano Deore, 9 speed	Brakes Shimano M486, 160/160mm
Fork RST Deuce Air 120mm 1.5" Alloy Steer, 15mm thru	Rear Derailleur Shimano Deore	Tires Kenda Nevegal, 26 x 2.1"
Wheels Maddux DC 3.0, Formula w/15mm thru, 28 hole	Crank Shimano M420 Octalink, 44/32/22	Sizes P, S, M

FLASH FÉMININE

1 FÉMININE BENEFITS:

The race-ready and ultra light alloy Flash is crafted from 6061-T6 aluminum. But you know what would make it even better? Sizes for the ladies! Thoughtful geometry choices and careful component selection will make the Flash a sure winner.

2 ULTRA-EFFICIENT:

For 25 years, Cannondale has used shaped tubing to optimize frame performance. The Flash is no different. Radically shaped tubing unifies the front triangle, giving this competition-ready hardtail the stiffest, most-efficient frame ever.

3 SINGLETRACK PERFORMER:

Oversized head tube diameter stiffens the top tube to down tube junction for the best possible steering precision. The ultra-efficient frame and point-and-shoot steering of the Flash make it a natural for technical singletrack.



F3 FÉMININE

Jet Black (matte) (BBQ).

Frame Flash Féminine Si, BB30	Shifters SRAM X-5, 9 speed	Brakes Avid Juicy 3, 160/160mm
Fork Lefty Speed w/DLR, 110mm	Rear Derailleur SRAM X-7	Tires Kenda Small Block 8, 26 x 2.1", foldable
Wheels Maddux DC 3.0, Lefty SL, Formula, 24/28 hole	Crank Shimano M420 Octalink, 44/32/22	Sizes P, S, M, T

TRAIL SL FÉMININE

1 FÉMININE BENEFITS:

Alloy bikes remain a favorite because they are so versatile. This remains true for the women-friendly Trail SL hardtail – with narrower bars, better saddles, and revised geometry, the Trail SL is near perfect!

2 MANUFACTURING QUALITY:

Cannondale's trademark double-pass, smooth-welded technology virtually eliminates the stress risers possible on machine-welded frames and gives the frames a finished, handcrafted aesthetic.

3 STEER STRAIGHT:

The Trail SL uses the OnePointFive Standard head tube. The oversized design is part of our belief in System Integration, and simultaneously lightens and stiffens the frame. Stiffer frames steer better.



F5 FÉMININE

Jet Black (gloss) (BLK). Magnesium White (gloss) (WHT).

Frame Trail SL Féminine Si	Shifters SRAM X-5, trigger, 9 speed	Brakes SRAM BB5, 160/160mm
Fork RST Deuce 100mm 1.5" rebound adj, L/O, soft spring	Rear Derailleur SRAM X-5	Tires Kenda Small Block 8, 26 x 2.1"
Wheels Maddux DC 3.0, Formula, 28 hole	Crank FSA Alpha Drive, 42/32/22	Sizes P, S, M, T

CO2 FÉMININE

1 FÉMININE BENEFITS:

Sometimes you just need to get out of the house. Spend a little time on the trail. Other times, you need to pull a kid trailer. For all that and more, the versatile CO2 is a wise choice. Burly dropouts accommodate racks and trailers, and the frame is light enough to climb with the best of them on technical singletrack.

2 COMFORTABLE STAYS:

Whether riders just go around the block or ride across the country, the comfort-giving properties of the CO2 hourglass seat stays help cushion the harsh trail feel and provide exceptional power transfer.

3 POWERPYRAMID DOWN TUBE:

Cannondale's engineers design each tube shape to maximize performance. On the PowerPyramid, the tube wall is thicker at the head tube junction for impact resistance, while the oversized, thinner wall diameter at the BB shell resists torsional flex.



F7 FÉMININE

Turquoise, Magnesium White (gloss) (TRQ).
Fine Silver, Magnesium White (gloss) (SLV).

Frame CO2 Féminine, 6061 butted	Shifters SRAM X-4 trigger, 8 speed	Brakes SRAM BB5 Mechanical, 160/160mm
Fork RST Gila Pro, rebound adj, L/O, soft spring, 100mm	Rear Derailleur SRAM X-4	Tires Kenda Small Block 8, 26 x 2.1"
Wheels Alex DC 4.5, eyelet, double wall, Formula, 28 hole	Crank Shimano M311, 42/32/22	Sizes P, S, M

F8 FÉMININE

Jet Black, Magnesium White (gloss) (BLK).

Fine Silver, Magnesium White w/Pistacchio Ice Cream accents (gloss) (GRN).

Frame CO2 Féminine, 6061 butted	Shifters Shimano ST-EF50, EZ FIRE, 8 speed	Brakes Tektro IO Mechanical, 160/160 mm
Fork RST Gila T with softer spring, 80mm	Rear Derailleur Shimano Acera	Tires Kenda Small Block 8, 26 x 2.1"
Wheels Alex DC 4.5, eyelet, double wall, Formula, 28 hole	Crank Shimano M311, 42/32/22	Sizes P, S, M

F9 FÉMININE

Jet Black, Purple Rain (gloss) (PUR).

Turquoise, Magnesium White (gloss) (WHT).

Frame CO2 Féminine, 6061 butted	Shifters Shimano ST-EF50, EZ FIRE, 8 speed	Brakes Tektro 836 V-brake
Fork RST Gila T with softer spring, 80mm	Rear Derailleur Shimano Acera	Tires Kenda Small Block 8, 26 x 2.1"
Wheels Maddux EC 5.0 Double wall, Formula, 28 hole	Crank Shimano M311, 42/32/22	Sizes P, S, M

QUICK FÉMININE

1 FÉMININE BENEFITS:

Women's Quicks are built for the city, for fitness, and for fun. Beautiful paint and decal packages are combined with spec that makes riding the bike trail and exploring the city even more fun than it already is.

2 SI:

The Quick has it all: It brings the evident industrial design of recent concept bikes, includes performance-oriented System Integration like BB30, boasts comfort features like S.A.V.E. and has the utility features of Urban bikes – such as eyelets for rack and fenders. Available in carbon fiber or alloy.

3 S.A.V.E.:

Borrowed from the Synapse for the Quick, the Active Vibration Elimination gives compliance in the stays for rider comfort, but retains lateral stiffness for no power loss or pedaling inefficiencies.



QUICK CARBON FÉMININE 1

Matte UD Carbon (CRB).

Frame Quick Féminine, Full Carbon, BB30 Si	Shifters Shimano SL-R770, 10 speed	Brakes Tektro Mini-V w/cartridge pads
Fork Quick, Full Carbon, Si	Rear Derailleur Shimano Ultegra 6700	Tires Kenda Kwick Roller Sport, 700 X 28c
Wheels Formula XERO Element CXR	Crank FSA SLK BB30 Compact MegaExo, 50/34	Sizes S, M



Kymerli Fant and Adam Rosen check out the swells, Bodega Bay, California. *Chris Millman*



Crank Option:
FSA Gossamer BB30
Triple, 52/39/30

QUICK CARBON FÉMININE 2

Matte UD Carbon (CRB).

Frame Quick Féminine, Full Carbon, BB30 Si	Shifters Shimano SL-R770, 10 speed	Brakes Tektro Mini-V w/cartridge pads
Fork Quick, Full Carbon, Si	Rear Derailleur Shimano 105 Black	Tires Kenda Kwick Roller Sport, 700 X 28c
Wheels Formula XERO Element CXR	Crank FSA Gossamer BB30 Compact, 50/34	Sizes S, M



QUICK FÉMININE 1

Ball Burnished w/gloss clearcoat (gloss) (BBS).

Frame Quick Féminine, Hydroformed 6061 alloy w/carbon stays	Shifters Shimano SL-R770, 10 speed	Brakes Tektro Mini-V w/cartridge pads
Fork Ultra X All-Conditions Carbon	Rear Derailleur Shimano Ultegra SL	Tires Kenda Kwick Roller Sport, 700 X 32c
Wheels Mavic Aksium Race	Crank FSA Gossamer Compact MegaExo, 50/34	Sizes S, M



QUICK FÉMININE 4

White Pearl (gloss) (WHT).

Frame Quick Féminine, mech formed, 6061 alloy	Shifters SRAM X-5 trigger, 8 speed	Brakes Tektro TK-B18 linear pull w/cartridge pad
Fork Ultra X All-Conditions Carbon	Rear Derailleur SRAM X-5	Tires Kenda Kwick Trax, 700 x 32c
Wheels Cannondale C3, double wall, CNC machined	Crank Shimano FC-M341, 48/38/28	Sizes P, S, M



QUICK FÉMININE 2

Jet Black w/matte clearcoat (matte) (BBQ).

Frame Quick Féminine, Hydroformed 6061 alloy w/carbon stays	Shifters Shimano SL-R440, 9 speed	Brakes Tektro Mini-V w/cartridge pads
Fork Ultra X All-Conditions Carbon	Rear Derailleur Shimano 105	Tires Kenda Kwick Roller Sport, 700 X 32c
Wheels Formula CXR 350	Crank FSA Omega MegaExo Triple, 50/39/30	Sizes S, M



Lightning White (gloss) (WHT).



QUICK FÉMININE 5

Fine Silver (gloss) (SLV).

Frame Quick Féminine, mech formed, 6061 alloy	Shifters Shimano SL-EF50 EZ-Fire, 8 speed	Brakes Lee Chi TX-120 linear pull
Fork Cannondale Alloy Straight Blades	Rear Derailleur Shimano Alivio	Tires Kenda Kwick Trax, 700 x 38c
Wheels Cannondale C4, double wall, Formula hub	Crank Shimano FC-M151, 48/38/28	Sizes P, S, M



Jet Black (gloss) (BLK).



QUICK FÉMININE 3

Lightning White (gloss) (WHT).

Frame Quick Féminine, Hydroformed 6061 alloy w/carbon stays	Shifters SRAM X-5 trigger, 9 speed	Brakes Tektro Mini-V w/cartridge pads
Fork Ultra X All-Conditions Carbon	Rear Derailleur SRAM X-7	Tires Kenda Kwick Roller Sport, 700 X 32c
Wheels Cannondale C3, double wall, CNC machined	Crank Shimano FC-M443-8L, 48/36/26	Sizes S, M



Brilliant Blue (gloss) (BLU).



QUICK FÉMININE 6

Jet Black (gloss) (BLK).

Frame Quick Féminine, mech formed, 6061 alloy	Shifters Shimano SL-EF40 EZ-Fire, 7 speed	Brakes Lee Chi TX-120 linear pull
Fork TIG-welded Cro-Mo, Straight Blades	Rear Derailleur Shimano Altus	Tires Kenda Kwick Trax, 700 x 38c
Wheels Cannondale C4, double wall, Formula hub	Crank Shimano FC-M151, 48/38/28	Sizes P, S, M



Mediterranean Blue (gloss) (BLU).

ADVENTURE FÉMININE

1 FÉMININE BENEFITS:

Standover is improved on the Adventure for more sure-footed stops. But when you're rolling on speedy, nimble 700c wheels, the Adventure is ready to take you wherever you like.

2 NEW GEOMETRY:

All new geometry for 2010 gives the Adventure a bit more performance. Inspired by the geometry of recreational bikes from Europe, the changes allow cyclists to ride more efficiently, whether commuting to work or pulling kids in a trailer on a quiet Saturday morning. The redesign also enhances the frame's S.A.V.E. features.

3 RACK AND FENDER READY:

Like most of Cannondale's recreational bikes, the Adventure is ready for duty. Eyelets for racks, clearance for fenders, and the ability to pull a trailer all define Cannondale's recreational series of bikes.



ADVENTURE FÉMININE 2

Cadet Blue (matte) (BLU).
Pearl White (gloss) (WHT).

Frame Adventure, mech formed, 6061 alloy, step thru	Shifters Shimano Nexus Twist Type, 8 speed	Brakes Cannondale V Brake w/modulator
Fork Adventure Trail Si suspension, 35mm	Rear Derailleur Shimano Nexus Premium 8-speed internal	Tires Kenda Kwick Trax, 700 x 38c
Wheels Cannondale C3, double wall, CNC machined	Crank FSA Single Ring, 38T	Sizes S, T



ADVENTURE FÉMININE 3

Jet Black (gloss) (BLK).

Fine Silver (gloss) (SLV).

Frame Adventure, mech formed, 6061 alloy, step thru	Shifters SRAM SX5 Twist Type, 9 speed	Brakes Cannondale V Brake w/modulator
Fork Adventure Trail Si suspension, 35mm	Rear Derailleur SRAM X-7	Tires Kenda Kwick Trax, 700 x 38c
Wheels Cannondale C3, double wall, CNC machined	Crank Shimano M361, 48/38/28	Sizes S, T



ADVENTURE FÉMININE 4

Turquoise (gloss) (TRQ).

Danish Sand Castle Grey (matte) (GRY).

Frame Adventure, mech formed, 6061 alloy, step thru	Shifters SRAM SX4 Twist type, 8 speed	Brakes Cannondale V Brake w/modulator
Fork Spinner Tridium AC 50mm Travel	Rear Derailleur SRAM X-5	Tires Kenda Kwick Trax, 700 x 38c
Wheels Cannondale C3, double wall, CNC machined	Crank Shimano M191, 48/38/28	Sizes S, T



ADVENTURE FÉMININE 5

Jet Black (gloss) (BLK).

Pearl White (gloss) (WHT).

Frame Adventure, mech formed, 6061 alloy, step thru	Shifters Shimano Revo Twist Type, 8 speed	Brakes Cannondale V Brake w/modulator
Fork Spinner Tridium AC 50mm Travel	Rear Derailleur Shimano Alivio	Tires Kenda Kwick Trax, 700 x 38c
Wheels Cannondale C4, double wall, Formula hub	Crank Shimano M151, 48/38/28	Sizes S, T

COMFORT FÉMININE

1 FÉMININE BENEFITS:

Sometimes, comfort-enhancing wide tires and a cushy saddle are just what's needed. For rides like that, the Cannondale Comfort line is a wise choice. Now in women's-specific models that fit and feel better for a more enjoyable ride.

2 NEW GEOMETRY:

All new geometry for 2010 gives the Comfort a bit more performance. But all of the favorite Comfort features – wide, stable tires and a cushy seat with an upright stem – remain the same. The redesign also enhances the frame's S.A.V.E. features.

3 RACK AND FENDER READY:

Like most of Cannondale's recreational bikes, the Comfort is ready for duty. Eyelets for racks, clearance for fenders, and the ability to pull a trailer all define Cannondale's recreational series of bikes.



COMFORT FÉMININE 4

Danish Sand Castle Grey (matte) (GRY).

Velvet Red (gloss) (RED).

Frame	Comfort, 6061 alloy, relaxed geometry, step thru
Fork	Spinner Tridium CR w/preload adjust, 63 mm travel
Wheels	Cannondale C3, double wall, CNC machined

Shifters	SRAM SX4 Twist type, 8 speed
Rear Derailleur	SRAM X-5
Crank	Shimano FC-M191, 48/38/28

Brakes	Cannondale V Brake w/modulator
Tires	Kenda NPJ signature, 26 x 1.25"
Sizes	S, T



COMFORT FÉMININE 5

Pearl White (gloss) (WHT).

Jet Black (gloss) (BLK).

Frame	Comfort, 6061 alloy, relaxed geometry, step thru
Fork	Spinner Tridium CR, 63 mm travel
Wheels	Cannondale C4, double wall, Formula hub

Shifters	Shimano Revo Twist type, 8 speed
Rear Derailleur	Shimano Alivio
Crank	Shimano FC-M151, 48/38/28

Brakes	Cannondale V Brake w/modulator
Tires	Kenda NPJ signature, 26 x 1.25"
Sizes	S, T

SUPERSIX HI-MOD ULTIMATE (ORSS00S, ORSS00D)

Frame	SuperSix Hi-MOD Carbon BB30
Fork	SuperSix Hi-MOD mono-coque full carbon fork, 1.5 - 1.125" tapered steerer, carbon dropouts
Rims	DT Swiss RRC425F and RRC525R Ultralight Carbon Tubulars
Hubs	DT Swiss RRC425F, DT Swiss RRC525R
Spokes	DT Swiss Stainless, butted, bladed
Tires	Schwalbe Custom Ultralight Ultremo Tubulars, 700 x 21c
Pedals	N/A
Crank	Cannondale Hollowgram SL BB30, 53/39 FSA DA-79 rings, with wireless SRM Powermeter VI
Crank Option	Cannondale Hollowgram SL BB30 Double, 53/39; Includes Compact 50/34 rings, spider and locking tool
Crank Option	N/A
Bottom Bracket	Cannondale Hollowgram SL, w/laser sorted ultraround ceramic bearings
Chain	KMC X10SL
Rear Cogs	SRAM Red 11-26
Front Derailleur	SRAM Red, 34.9 clamp
Rear Derailleur	SRAM Red
Shifters	SRAM Red, White hoods
Handlebar	Zipp SL SHSH, 31.8
Stem	FSA OS-99
Headset	SuperSix, 1.5 lower bearing, 30mm carbon, w/5mm hidden alloy top cover
Brakes/Levers	Zero Gravity, w/shifters
Saddle	Fizik Arione K1, 9mm carbon rail
Seatpost	USE Alien Cyclops, Carbon, 31.6mm w/9mm rail clamp
Sizes	48, 50, 52, 54, 56, 58, 60, 63cm
Color 1 (code)	Matte Carbon w/White accents (matte) (CRB).
Color 2 (code)	N/A
Extras	SRM: SRM Wireless Power Controller VI, charger, adapters, software and heart rate strap, Cannondale seatcover, Hollowgram tool Assy, 130 Si Spider. Double: Cannondale seatcover, Hollowgram tool Assy

SUPERSIX HI-MOD TEAM (ORSS0S, ORSS0D, ORSS0C)

Frame	SuperSix Hi-MOD Carbon BB30
Fork	SuperSix Hi-MOD mono-coque full carbon fork, 1.5 - 1.125" tapered steerer, carbon dropouts
Rims	Mavic Cosmic Carbon SLR, 700c clincher
Hubs	Mavic Cosmic Carbon SLR
Spokes	Mavic Cosmic Carbon SLR
Tires	Schwalbe Ultremo, 700 x 23c Wht, foldable
Pedals	N/A
Crank	Cannondale Hollowgram SL BB30, 53/39 FSA Campy 11s Rings, with wireless SRM Powermeter VI
Crank Option	Cannondale Hollowgram SL BB30 Double, 53/39 FSA Campy 11s Rings
Crank Option	Cannondale Hollowgram SL BB30 Compact, 50/34 FSA Campy 11s Rings
Bottom Bracket	Cannondale Hollowgram SL, w/laser sorted ultraround ceramic bearings
Chain	Campagnolo Record 11s
Rear Cogs	Campagnolo Super Record, 11s, 12-25
Front Derailleur	Campagnolo Super Record, 11s, 34.9 clamp
Rear Derailleur	Campagnolo Super Record, 11s
Shifters	Campagnolo Super Record QS Carbon ErgoShifters11s
Handlebar	FSA K-Force Carbon Compact, 31.8
Stem	FSA OS-99 CSI
Headset	SuperSix, 1.5 lower bearing, 30mm carbon, w/5mm hidden alloy top cover
Brakes/Levers	Campagnolo Super Record D-Skeleton, w/shifters
Saddle	Fizik Antares, Team Rep
Seatpost	FSA K-Force Carbon, 31.6
Sizes	48, 50, 52, 54, 56, 58, 60, 63cm
Color 1 (code)	Liquigas Team (gloss) (LIQ).
Color 2 (code)	N/A
Extras	SRM: SRM Wireless Power Controller VI, charger, adapters, software and heart rate strap, Cannondale seatcover, Hollowgram SRM tool Assy, 130 Si Spider. Double and Compact: Cannondale seatcover, Hollowgram tool Assy

SUPERSIX HI-MOD D12 (ORSS1D, ORSS1C)

Frame	SuperSix Hi-MOD Carbon, D12 Compatible
Fork	SuperSix Hi-MOD mono-coque full carbon fork, 1.5 - 1.125" tapered steerer, carbon dropouts
Rims	Mavic Ksyrium SL, black
Hubs	Mavic Ksyrium SL, black
Spokes	Mavic Ksyrium SL, black
Tires	Schwalbe Ultremo, 700 x 23c Wht, foldable
Pedals	N/A
Crank	Shimano Dura-Ace 7900 Double, 53/39
Crank Option	Shimano Dura Ace 7900 Compact, 50/34
Crank Option	N/A
Bottom Bracket	Shimano Dura-Ace 7900
Chain	Shimano Dura-Ace 7900
Rear Cogs	Shimano Dura-Ace 7900, 12-25 (D), 12-27 (C)
Front Derailleur	Shimano Di2, 34.9mm clamp
Rear Derailleur	Shimano Di2
Shifters	Shimano Di2
Handlebar	FSA K-Force Carbon Compact, 31.8
Stem	FSA OS-99 CSI
Headset	SuperSix, 1.5 lower bearing, 30mm carbon, w/5mm hidden alloy top cover
Brakes/Levers	Shimano Dura-Ace 7900, w/shifters
Saddle	Fizik Arione CX w/Kium rails
Seatpost	FSA K-Force Carbon, 31.6
Sizes	48, 50, 52, 54, 56, 58, 60, 63cm
Color 1 (code)	Race Red, Jet Black w/White accents (gloss) (RED).
Color 2 (code)	N/A
Extras	Cannondale seatcover, D12 Charger, power cable and battery

SUPERSIX HI-MOD 1 (ORSS1S, ORSS1D)

Frame	SuperSix Hi-MOD Carbon BB30
Fork	SuperSix Hi-MOD mono-coque full carbon fork, 1.5 - 1.125" tapered steerer, carbon dropouts
Rims	Mavic Ksyrium SL, black
Hubs	Mavic Ksyrium SL, black
Spokes	Mavic Ksyrium SL, black
Tires	Schwalbe Ultremo, 700 x 23c Wht, foldable
Pedals	N/A
Crank	Cannondale Hollowgram SL BB30, 53/39 FSA DA-79 rings, with wireless SRM Powermeter VI
Crank Option	Cannondale Hollowgram SL BB30 Double, 53/39; Includes Compact 50/34 rings, spider and locking tool
Crank Option	N/A
Bottom Bracket	Cannondale Hollowgram SL, w/laser sorted ultraround ceramic bearings
Chain	Shimano Dura-Ace 7900
Rear Cogs	Shimano Dura-Ace 7900, 12-25
Front Derailleur	Shimano Dura-Ace 7900, 34.9mm clamp
Rear Derailleur	Shimano Dura-Ace 7900
Shifters	Shimano Dura-Ace 7900
Handlebar	FSA K-Force Carbon Compact, 31.8
Stem	FSA OS-99 CSI
Headset	SuperSix, 1.5 lower bearing, 30mm carbon, w/5mm hidden alloy top cover
Brakes/Levers	Shimano Dura-Ace 7900, w/shifters
Saddle	Fizik Arione CX w/Kium rails
Seatpost	FSA K-Force Carbon, 31.6
Sizes	48, 50, 52, 54, 56, 58, 60, 63cm
Color 1 (code)	Race Red, Jet Black w/White accents (gloss) (RED).
Color 2 (code)	N/A
Extras	SRM: SRM Wireless Power Controller VI, charger, adapters, software and heart rate strap, Cannondale seatcover, Hollowgram tool Assy, 130 Si Spider. Double: Cannondale seatcover, Hollowgram tool Assy

SUPERSIX 2 (ORSS2D, ORSS2C)

Frame	SuperSix Carbon BB30
Fork	SuperSix mono-coque full carbon fork, 1.5 - 1.125" tapered steerer
Rims	Mavic Ksyrium Elite, black
Hubs	Mavic Ksyrium Elite, black
Spokes	Mavic Ksyrium Elite, black
Tires	Schwalbe Ultremo, 700 x 23c Wht, foldable
Pedals	N/A
Crank	Cannondale by SRAM carbon BB30 Compact, 50/34
Crank Option	Cannondale by SRAM carbon BB30 Double, 53/39
Crank Option	N/A
Bottom Bracket	SRAM BB30
Chain	KMC, X10SL
Rear Cogs	SRAM PG-1070, 12-25 (D), 12-27 (C)
Front Derailleur	SRAM Force, 34.9 clamp
Rear Derailleur	SRAM Red
Shifters	SRAM Red, White hoods
Handlebar	FSA SL-K compact, 31.8
Stem	FSA OS-99
Headset	SuperSix, 1.5 lower bearing, 30mm carbon w/5mm hidden alloy top cover
Brakes/Levers	SRAM Red, w/shifters
Saddle	Fizik Arione Mg
Seatpost	FSA SL-K SBS, 31.6
Sizes	48, 50, 52, 54, 56, 58, 60, 63cm
Color 1 (code)	Cannondale Yellow, Jet Black w/White accents (gloss) (YEL).
Color 2 (code)	Magnesium White/Jet Black w/Red accents (gloss) (RED).
Extras	Cannondale seatcover

SUPERSIX 3 (ORSS3D, ORSS3C)

Frame	SuperSix Carbon BB30
Fork	SuperSix mono-coque full carbon fork, 1.5 - 1.125" tapered steerer
Rims	Shimano RS80 carbon/alloy
Hubs	Shimano RS80
Spokes	Shimano RS80
Tires	Schwalbe Ultremo, 700 x 23c Wht, foldable
Pedals	N/A
Crank	FSA SL-K Light BB30, DA-79 Double, 53/39
Crank Option	FSA SL-K Light BB30, DA-79 Compact, 50/34
Bottom Bracket	FSA BB30
Chain	Shimano Ultegra 6700
Rear Cogs	Shimano Ultegra 6700, 12-25
Front Derailleur	Shimano Ultegra 6700, 34.9 mm clamp
Rear Derailleur	Shimano Ultegra 6700
Shifters	Shimano Ultegra 6700
Handlebar	FSA SL-K compact, 31.8
Stem	FSA OS-99
Headset	SuperSix, 1.5 lower bearing, 30mm carbon w/5mm hidden alloy top cover
Brakes/Levers	Shimano Ultegra 6700, w/shifters
Saddle	Fizik Arione Mg
Seatpost	FSA SL-K SBS, 31.6
Sizes	48, 50, 52, 54, 56, 58, 60, 63cm
Color 1 (code)	Jet Black w/White accents (gloss/matte) (BLK).
Color 2 (code)	Magnesium White, Jet Black w/Red accents (gloss) (RED).
Extras	Cannondale seatcover

SIX CARBON 3 (ORSX3D, ORSX3C)

Frame	Six Carbon BB30
Fork	Six Premium mono-coque full carbon
Rims	Mavic Aksium, black
Hubs	Mavic Aksium, black
Spokes	Mavic Aksium, black
Tires	Vittoria Diamante Pro Light, 700 x 23c, foldable
Pedals	N/A
Crank	FSA SL-K Light BB30, DA-79 Double, 53/39
Crank Option	FSA SL-K Light BB30, DA-79 Compact, 50/34
Bottom Bracket	FSA BB30
Chain	Shimano Ultegra 6700
Rear Cogs	Shimano Ultegra 6700, 12-25
Front Derailleur	Shimano Ultegra 6700, 34.9 mm clamp
Rear Derailleur	Shimano Ultegra 6700
Shifters	Shimano Ultegra 6700
Handlebar	FSA Wing Compact, 31.8
Stem	FSA OS-150
Headset	Tange integrated, 25mm carbon top cover
Brakes/Levers	Tektro R580 w/cartridge pads, w/shifters
Saddle	Prologo Scratch Pro, Pro T.20 Rails
Seatpost	Cannondale C2 Carbon, 31.6
Sizes	48, 50, 52, 54, 56, 58, 60, 63cm
Color 1 (code)	Carbon, Cannondale Yellow w/Black accents (gloss) (YEL).
Color 2 (code)	Magnesium White, Nu Team Blue w/Black accents (gloss) (BLU).
Extras	Cannondale seatcover

SIX CARBON 5 (ORSX5D, ORSX5C)

Frame	Six Carbon BB30
Fork	Six Premium mono-coque full carbon
Rims	Shimano RS10
Hubs	Shimano RS10
Spokes	Shimano RS10
Tires	Vittoria Zaffiro Pro Slick, 700 x 23c, foldable
Pedals	N/A
Crank	FSA Gossamer BB30 Compact, 50/34
Crank Option	FSA Gossamer BB30 Double, 52/38
Bottom Bracket	FSA BB30
Chain	KMC, DX-10SC
Rear Cogs	Shimano 105, 12-25 (D), 12-27 (C)
Front Derailleur	Shimano 105, 34.9 clamp
Rear Derailleur	Shimano 105
Shifters	Shimano 105
Handlebar	Control Tech ONE, 31.8
Stem	Cannondale C2
Headset	Tange integrated, 25mm alloy top cover
Brakes/Levers	Tektro R580 w/cartridge pads, w/shifters
Saddle	Prologo Scratch Pro, Pro T.20 Rails
Seatpost	Cannondale C2 Carbon, 31.6
Sizes	48, 50, 52, 54, 56, 58, 60, 63cm
Color 1 (code)	Jet Black, Carbon w/White accents (matte) (BBQ).
Color 2 (code)	Race Red, Jet Black w/White accents (gloss) (RED).
Extras	Cannondale seatcover

SIX CARBON 6 (ORSX6D, ORSX6T)

Frame	Six Carbon BB30
Fork	Six, carbon blades
Rims	Shimano WH-R500A
Hubs	Shimano WH-R500A
Spokes	Shimano WH-R500A
Tires	Vittoria Zaffiro Pro Slick, 700 x 23c, foldable
Pedals	N/A
Crank	Shimano Tiagra Double, 53/39
Crank Option	Shimano Tiagra Triple, 50/39/30
Bottom Bracket	Shimano Tiagra
Chain	Shimano HG-53
Rear Cogs	SRAM PG-950, 12-26
Front Derailleur	Shimano Sora, 34.9 clamp
Rear Derailleur	Shimano Tiagra
Shifters	Shimano Tiagra
Handlebar	Cannondale C3, 31.8
Stem	Cannondale C3
Headset	Tange integrated, 25mm alloy top cover
Brakes/Levers	Shimano Tiagra, w/shifters
Saddle	Prologo Kappa Pas, Pro T.20 Rails
Seatpost	Cannondale C3, Carbon-wrapped 31.6
Sizes	48, 50, 52, 54, 56, 58, 60, 63cm
Color 1 (code)	Race Red, Jet Black w/White accents (gloss) (RED).
Color 2 (code)	Magnesium White, Nu Team Blue w/Black accents (gloss) (BLU).
Extras	Cannondale seatcover

CAAD9 1 (ORA91D, ORA91C)

Frame	CAAD9 BB30, taper butted, Optimo Alloy
Fork	Slice Premium, mono-coque full carbon
Rims	Shimano RS80 carbon/alloy
Hubs	Shimano RS80
Spokes	Shimano RS80
Tires	Schwalbe Ultremo, 700 x 23c Wht, foldable
Pedals	N/A
Crank	FSA SL-K Light BB30, DA-79 Double, 53/39
Crank Option	FSA SL-K Light BB30, DA-79 Compact, 50/34
Bottom Bracket	FSA BB30
Chain	KMC X10SL
Rear Cogs	Shimano 6700, 12-25
Front Derailleur	Shimano Dura-Ace 7900, 34.9mm clamp
Rear Derailleur	Shimano Dura-Ace 7900
Shifters	Shimano Dura-Ace 7900
Handlebar	Control Tech ONE, 31.8
Stem	Cannondale C2
Headset	Tange integrated, 25mm carbon top cover
Brakes/Levers	Tektro R580 w/cartridge pads, w/shifters
Saddle	Prologo Kappa Pas, Pro T.20 Rails
Seatpost	Cannondale C2 Carbon, 27.2
Sizes </	

	CAAD9 4 (ORA94D, ORA94C)	CAAD9 5 (ORA95D, ORA95C)
Frame	CAAD9 BB30, taper butted, Optimo Alloy	CAAD9 BB30, taper butted, Optimo Alloy
Fork	Slice Premium, monochoque full carbon	Slice Premium, monochoque full carbon
Rims	Shimano RS10	Shimano RS10
Hubs	Shimano RS10	Shimano RS10
Spokes	Shimano RS10	Shimano RS10
Tires	Vittoria Zaffiro Pro Slick, 700 x 23c, foldable	Vittoria Zaffiro Pro Slick, 700 x 23c, foldable
Pedals	N/A	N/A
Crank	SRAM Force BB30 Double, 53/39	FSA Gossamer BB30 Double, 52/38
Crank Option	SRAM Force BB30 Compact, 50/34	FSA Gossamer BB30 Compact, 50/34
Bottom Bracket	SRAM Force BB30	FSA BB30
Chain	KMC DX-10SC	KMC DX-10SC
Rear Cogs	SRAM PG-1070, 12-25 (D), 12-27 (C)	Shimano 105, 12-25 (D), 12-27 (C)
Front Derailleur	SRAM Rival, 34.9 clamp	Shimano 105, 34.9 clamp
Rear Derailleur	SRAM Rival	Shimano 105
Shifters	SRAM Rival	Shimano 105
Handlebar	Control Tech ONE, 31.8	Cannondale C3, 31.8
Stem	Cannondale C2	Cannondale C2
Headset	Tange integrated, 25mm carbon top cover	Tange integrated, 25mm alloy top cover
Brakes/Levers	Tektro R580 w/cartridge pads, w/shifters	Tektro R580 w/cartridge pads, w/shifters
Saddle	Prologo Kappa Pas, Pro T.20 Rails	Prologo Kappa Pas, Pro T.20 Rails
Seatpost	Cannondale C2 Carbon, 27.2	Cannondale C3, Carbon-wrapped, 27.2
Sizes	48, 50, 52, 54, 56, 58, 60, 63cm	48, 50, 52, 54, 56, 58, 60, 63cm
Color 1 (code)	Race Red w/White and Black accents (gloss) (RED).	Charcoal Grey w/Red and White accents (gloss) (GRY).
Color 2 (code)	Jet Black (matte) (BBQ).	Nu Team Blue w/White and Black accents (gloss) (BLU).

	SLICE HI-MOD ULTIMATE (ORM00S, ORM00D)	SLICE HI-MOD 2 (ORM2D)
Frame	Slice Carbon HI-MOD BB30	Slice Carbon HI-MOD BB30
Fork	Slice Aero HI-MOD monochoque full carbon, carbon dropouts	Slice Aero HI-MOD monochoque full carbon, carbon dropouts
Rims	Zipp 808 front, 1080 rear, tubular	Mavic Aksium, black
Hubs	Zipp	Mavic Aksium, black
Spokes	Zipp	Mavic Aksium, black
Tires	Schwalbe Custom Ultralight Ultremo Tubulars, 700 x 21c	Schwalbe Ultremo, 700 x 23c Wht, foldable
Pedals	N/A	N/A
Crank	Cannondale Hollowgram SL BB30, 54/42 FSA TT Rings, with wireless SRM Powermeter VI	SRAM Force TT BB30 Double, 53/39
Crank Option	Cannondale Hollowgram SL BB30 Double, 54/42 FSA TT Rings	N/A
Bottom Bracket	Cannondale Hollowgram SL, w/laser sorted ultraround ceramic bearings	SRAM Force BB30
Chain	KMC X10SL	KMC X10SL
Rear Cogs	SRAM Red, 11-26	SRAM PG-1070, 12-25
Front Derailleur	SRAM Red, braze on	SRAM Force braze-on
Rear Derailleur	SRAM Red	SRAM Red
Shifters	SRAM 1090 R2C	SRAM 1090 R2C
Handlebar	Vision Manta Carbon Si	Profile Carbon Cobra Wing, 31.8 w/T2 Cobra
Stem	FSA OS-99 CSI	FSA ST-OS-150
Headset	Tange integrated, 8mm carbon top cover	Tange integrated, 8mm carbon top cover
Brakes/Levers	SRAM Red, carbon pads, SRAM 900 carbon TT	SRAM Red, Vision Aero TT
Saddle	Fi'zi:k Arione Tri2, carbon rails	Fi'zi:k Arione Tri2, Mg rails
Seatpost	Slice Aero HI-MOD Carbon	Slice Aero HI-MOD Carbon
Sizes	51, 54, 56, 58, 60cm	51, 54, 56, 58, 60cm
Color 1 (code)	Magnesium White, Race Red w/Black accents (gloss) (WHT).	Magnesium White, Race Red w/Black accents (gloss) (WHT).
Color 2 (code)	N/A	N/A
Extras	SRM: SRM Wireless Power Controller VI, charger, adapters, software and heart rate strap, Hollowgram tool Assy, 130 Si Spider, seatpost water bottle mount Double: Hollowgram tool Assy, seatpost water bottle mount	Seatpost water bottle mount

	CAAD9 6 (ORA96D, ORA96T)	CAAD8 6 (ORA86C, ORA86T)
Frame	CAAD9 BB30, taper butted, Optimo Alloy	CAAD8 S, double butted, 6061 alloy
Fork	Slice Ultra, carbon blades	Slice Ultra, carbon blades
Rims	Shimano WH-R500A	Maddux DRX 4000
Hubs	Shimano WH-R500A	Formula RB-51/52, 32 hole
Spokes	Shimano WH-R500A	Stainless Steel
Tires	Vittoria Zaffiro, 700 x 23c	Vittoria Zaffiro, 700 x 25c
Pedals	N/A	N/A
Crank	Shimano Tiagra Double, 53/39	Shimano Sora Compact, 50/34
Crank Option	Shimano Tiagra Triple, 50/39/30	Shimano Sora Triple, 50/39/30
Bottom Bracket	Shimano Tiagra	Shimano Sora
Chain	Shimano HG-53	KMC 9-speed
Rear Cogs	SRAM PG-950, 12-26	SRAM PG-950, 12-26
Front Derailleur	Shimano Sora, 34.9 clamp	Shimano Sora, 34.9 clamp
Rear Derailleur	Shimano Tiagra	Shimano Tiagra
Shifters	Shimano Tiagra	Shimano Tiagra
Handlebar	Cannondale C3, 31.8	Cannondale C4, 31.8
Stem	Cannondale C3	Cannondale C4
Headset	Tange integrated, 25mm alloy top cover	Tange integrated, 25mm alloy top cover
Brakes/Levers	Tektro R520 w/cartridge pads, w/shifters	Cannondale C4 w/cartridge pads, w/shifters
Saddle	Cannondale Ergo Performance	Cannondale Ergo Performance
Seatpost	Cannondale C3, Carbon-wrapped, 27.2	Cannondale C3, Carbon-wrapped, 31.6
Sizes	48, 50, 52, 54, 56, 58, 60, 63cm	48, 51, 54, 56, 58, 61cm
Color 1 (code)	Nu Team Blue w/White and Black accents (gloss) (BLU).	Race Red/Jet Black (gloss) (RED).
Color 2 (code)	Magnesium White w/Black and Silver accents (gloss) (WHT).	Nu Team Blue, Magnesium White (gloss) (BLU).

	SLICE 4 (ORM4D)	SLICE 5 (ORM5D)
Frame	Slice Carbon BB30	Slice Carbon BB30
Fork	Slice Aero monochoque full carbon	Slice Aero monochoque full carbon
Rims	Fulcrum Racing 7	Shimano WH-R500A
Hubs	Fulcrum Racing 7	Shimano WH-R500A
Spokes	Fulcrum Racing 7	Shimano WH-R500A
Tires	Vittoria Diamante Pro Light, 700 x 23c, foldable	Vittoria Zaffiro Pro Slick, 700 x 23c, foldable
Pedals	N/A	N/A
Crank	FSA Gossamer BB30 Double, 52/38	FSA Gossamer BB30 Double, 52/38
Crank Option	N/A	N/A
Bottom Bracket	FSA BB30	FSA BB30
Chain	KMC DX-10SC	KMC DX-10SC
Rear Cogs	SRAM PG-1070, 12-25	Shimano 105, 12-25
Front Derailleur	SRAM Rival braze-on	SRAM 105, braze-on
Rear Derailleur	SRAM Rival	Shimano 105
Shifters	SRAM 1090 R2C	Shimano Dura-Ace bar end
Handlebar	Profile T2 Wing, 31.8 w/T2 Cobra	Cannondale C3 Aero Bar
Stem	Cannondale C2	Cannondale C3
Headset	Tange integrated, 8mm carbon top cover	Tange integrated, 8mm carbon top cover
Brakes/Levers	Tektro R580 w/cartridge pads, Cannondale C1 carbon	Tektro R520 w/cartridge pads, Alloy aero
Saddle	Fi'zi:k Arione Tri2, Mg rails	Fi'zi:k Arione Tri2, Mg rails
Seatpost	Slice Aero Carbon	Slice Aero Carbon
Sizes	51, 54, 56, 58, 60cm	51, 54, 56, 58, 60cm
Color 1 (code)	Jet Black, Berserker Green w/White accents (gloss) (GRN).	Jet Black, Berserker Green w/White accents (gloss) (GRN).
Color 2 (code)	N/A	Jet Black, Charcoal Grey, w/Silver accents (BLK).
Extras	Seatpost water bottle mount	Seatpost water bottle mount

	CAAD8 8 (ORA88C, ORA88T)	SYNAPSE HI-MOD RED (ORL00C)
Frame	CAAD8 S, double butted, 6061 alloy	Synapse HI-MOD Carbon S.A.V.E. BB30
Fork	Slice Ultra, carbon blades	Synapse HI-MOD monochoque full carbon, S.A.V.E., carbon dropouts
Rims	Maddux DRX 4000	Mavic Cosmic Carbone SLR, 700c clincher
Hubs	Formula RB-51/52, 32 hole	Mavic Cosmic Carbone SLR
Spokes	Stainless Steel	Mavic Cosmic Carbone SLR
Tires	Vittoria Zaffiro, 700 x 25c	Schwalbe Ultremo, 700 x 23c Wht, foldable
Pedals	N/A	N/A
Crank	FSA Tempo Triple, 52/42/30	Cannondale Hollowgram SL BB30 Compact, 50/34 FSA DA-79 Rings
Crank Option	FSA Tempo Compact, 50/34	N/A
Bottom Bracket	FSA 7420 ST	Cannondale Hollowgram SL, w/laser sorted ultraround ceramic bearings
Chain	KMC 8-speed	KMC X10SL
Rear Cogs	SRAM PG-850, 12-26	SRAM Red, 11-26
Front Derailleur	Shimano 2300	SRAM Red, braze-on
Rear Derailleur	Shimano 2300	SRAM Red
Shifters	Cannondale C4, 31.8	SRAM Red, White hoods
Handlebar	Cannondale C4	FSA K-Wing, 31.8
Stem	Cannondale C4	FSA OS-99 CSI
Headset	Tange integrated, 25mm alloy top cover	Tange integrated, 25mm carbon top cover
Brakes/Levers	Cannondale C4 w/cartridge pads, w/shifters	Tektro R538 long reach w/cartridge pads w/shifters
Saddle	Cannondale Ergo Performance	Prologo Kappa Pas, ProT.20 rails
Seatpost	Cannondale C3, Carbon-wrapped, 31.6	Synapse Carbon, 5mm offset 48-51cm, 25mm offset 54-61cm
Sizes	48, 51, 54, 56, 58, 61cm	48, 51, 54, 56, 58, 61cm
Color 1 (code)	Charcoal Grey, Fine Silver (gloss) (GRY).	Fine Silver, Magnesium White w/Blue and Black accents (gloss) (SLV).
Color 2 (code)	Magnesium White, Jet Black (gloss) (BLK).	Indigo Blue w/White and Black accents (gloss) (BLU).
Extras		

	SYNAPSE HI-MOD DI2 (ORCLIC)	SYNAPSE HI-MOD 1 (ORCLIC)
Frame	Synapse HI-MOD Carbon S.A.V.E., Di2 compatible	Synapse HI-MOD Carbon S.A.V.E. BB30
Fork	Synapse HI-MOD monochoque full carbon, S.A.V.E., carbon dropouts	Synapse HI-MOD monochoque full carbon, S.A.V.E., carbon dropouts
Rims	Mavic Ksyrium SL, black	Mavic Ksyrium SL, black
Hubs	Mavic Ksyrium SL, black	Mavic Ksyrium SL, black
Spokes	Mavic Ksyrium SL, black	Mavic Ksyrium SL, black
Tires	Schwalbe Ultremo, 700 x 23c Wht, foldable	Schwalbe Ultremo, 700 x 23c Wht, foldable
Pedals	N/A	N/A
Crank	Shimano Dura Ace 7900 Compact, 50/34	FSA SL-K Light BB30, DA-79 Compact, 50/34
Crank Option	N/A	N/A
Bottom Bracket	Shimano Dura Ace 7900	Shimano Dura Ace 7900
Chain	Shimano Dura Ace 7900	Shimano Dura Ace 7900
Rear Cogs	Shimano Dura Ace 7900, 12-27	Shimano Dura Ace 7900, 12-27
Front Derailleur	Shimano Di2, braze-on	Shimano Dura Ace 7900, braze-on
Rear Derailleur	Shimano Di2	Shimano Dura Ace 7900
Shifters	Shimano Di2	Shimano Dura Ace 7900
Handlebar	FSA K-Wing, 31.8	FSA SL-K compact, 31.8
Stem	FSA OS-99 CSI	FSA OS-99
Headset	Tange integrated, 25mm carbon top cover	Tange integrated, 25mm carbon top cover
Brakes/Levers	Shimano Dura Ace 7900, w/shifters	Shimano Dura Ace 7900, w/shifters
Saddle	Fi'zi:k Aliante Gamma Kium	Fi'zi:k Aliante Gamma Kium
Seatpost	Synapse HI-MOD Carbon, 5mm offset 48-51cm, 25mm offset 54-61cm	Synapse HI-MOD Carbon, 5mm offset 48-51cm, 25mm offset 54-61cm
Sizes	48, 51, 54, 56, 58, 61cm	48, 51, 54, 56, 58, 61cm
Color 1 (code)	Magnesium White, Jet Black w/Red accents (gloss) (WHT).	Indigo Blue, Fine Silver w/Black accents (gloss) (BLU).
Color 2 (code)	N/A	Magnesium White, Jet Black w/Red accents (gloss) (WHT).

	SYNAPSE CARBON 6 (ORASGC, ORASGT)	SYNAPSE 5 (ORASSC, ORASST)
Frame	Synapse Carbon S.A.V.E. BB30	Synapse Alloy, S.A.V.E., hydro formed
Fork	Synapse S.A.V.E., carbon blades	Synapse S.A.V.E., carbon blades
Rims	Shimano WH-R500A	Shimano RS10
Hubs	Shimano WH-R500A	Shimano RS10
Spokes	Shimano WH-R500A	Shimano RS10
Tires	Vittoria Zaffiro Pro Slick, 700 x 23c, foldable	Vittoria Zaffiro Pro Slick, 700 x 23c, foldable
Pedals	N/A	N/A
Crank	Shimano Tiagra Compact, 50/34	FSA Gossamer MegaExo Compact, 50/34
Crank Option	Shimano Tiagra Triple, 50/39/30	FSA Gossamer MegaExo Triple, 52/39/30
Bottom Bracket	Shimano Tiagra	FSA Mega EXO
Chain	Shimano HG-53	KMC, DX-10SC
Rear Cogs	SRAM PG-950, 12-26	Shimano 105, 12-27
Front Derailleur	Shimano Sora, braze-on	Shimano 105, 34.9 clamp
Rear Derailleur	Shimano Tiagra	Shimano 105
Shifters	Shimano Tiagra	Shimano 105
Handlebar	Cannondale C3, 31.8	Cannondale C3, 31.8
Stem	Cannondale C3	Cannondale C2
Headset	Tange integrated, 25mm alloy top cover	Tange integrated, 25mm alloy top cover
Brakes/Levers	Shimano Tiagra, w/shifters	Tektro R538 long reach w/cartridge pads w/shifters
Saddle	Prologo Kappa Pas, ProT.20 rails	Prologo Kappa Pas, ProT.20 rails
Seatpost	Synapse Carbon, 5mm offset 48-51cm, 25mm offset 54-61cm	Cannondale C3, Carbon-wrapped, 27.2
Sizes	48, 51, 54, 56, 58, 61cm	48, 51, 54, 56, 58, 61cm
Color 1 (code)	Fine Silver, Magnesium White w/Blue and Black accents (gloss) (SLV).	Magnesium White w/Red and Black accents (gloss) (WHT).
Color 2 (code)	Jet Black, Magnesium White w/Red accents (gloss) (BLK).	Indigo Blue w/White and Black accents (gloss) (BLU).
Extras		

	SYNAPSE CARBON 3 (ORCS3C, ORCS3T)	SYNAPSE CARBON 4 (ORCS4C)
Frame	Synapse Carbon S.A.V.E. BB30	Synapse Carbon S.A.V.E. BB30
Fork	Synapse monochoque full carbon, S.A.V.E.	Synapse monochoque full carbon, S.A.V.E.
Rims	Shimano RS80 carbon/alloy	Mavic Aksium, black
Hubs	Shimano RS80	Mavic Aksium, black
Spokes	Shimano RS80	Mavic Aksium, black
Tires	Schwalbe Ultremo, 700 x 23c Wht, foldable	Vittoria Diamante Pro Light, 700 x 23c, foldable
Pedals	N/A	N/A
Crank	FSA SL-K Light BB30 Compact, 50/34	FSA Gossamer BB30 Compact, 50/34
Crank Option	N/A	N/A
Bottom Bracket	FSA SL-K Light BB30 Triple, 52/39/30	N/A
Chain	FSA BB30	FSA BB30
Rear Cogs	Shimano Ultegra 6700, 12-25	SRAM PG-1070, 12-27
Front Derailleur	Shimano Ultegra 6700, braze-on	SRAM Rival, braze-on
Rear Derailleur	Shimano Ultegra 6700	SRAM Rival
Shifters	Shimano Ultegra 6700	SRAM Rival
Handlebar	FSA Wing Pro compact, 31.8	FSA Wing compact, 31.8
Stem	FSA OS-150	FSA OS-150
Headset	Tange integrated, 25mm carbon top cover	Tange integrated, 25mm alloy top cover
Brakes/Levers	Shimano Ultegra 6700, w/shifters	Tektro R580 w/cartridge pads, w/shifters
Saddle	Prologo Scratch Pro, ProT.20 rails	Prologo Scratch Pro, ProT.20 rails
Seatpost	Synapse Carbon, 5mm offset 48-51cm, 25mm offset 54-61cm	Synapse Carbon, 5mm offset 48-51cm, 25mm offset 54-61cm
Sizes	48, 51, 54, 56, 58, 61cm	48, 51, 54, 56, 58, 61cm
Color 1 (code)	Magnesium White, Race Red w/Black accents (gloss) (RED).	Jet Black, Berserker Green w/White accents (gloss) (GRN).
Color 2 (code)	Fine Silver, Magnesium White w/Blue and Black accents (gloss) (SLV).	Magnesium White, Indigo Blue w/Black accents (gloss) (BLU).
Extras		

	SYNAPSE CARBON 6 (ORASGC, ORASGT)	SYNAPSE 6 (ORASGC, ORASGT)
Frame	Synapse Carbon S.A.V.E. BB30	Synapse Alloy, S.A.V.E., hydro formed
Fork	Synapse S.A.V.E., carbon blades	Synapse S.A.V.E., carbon blades
Rims	Shimano WH-R500A	Shimano WH-R500A
Hubs	Shimano WH-R500A	Shimano WH-R500A
Spokes	Shimano WH-R500A	Shimano WH-R500A
Tires	Vittoria Zaffiro Pro Slick, 700 x 23c, foldable	Vittoria Zaffiro, 700 x 23c
Pedals	N/A	N/A
Crank	Shimano Tiagra Compact, 50/34	Shimano Tiagra Compact, 50/34
Crank Option	Shimano Tiagra Triple, 50/39/30	Shimano Tiagra Triple, 50/39/30
Bottom Bracket	Shimano Tiagra	Shimano Tiagra
Chain	Shimano HG-53	Shimano HG-53
Rear Cogs	SRAM PG-950, 12-26	SRAM PG-950, 12-26
Front Derailleur	Shimano Sora, braze-on	Shimano Sora, 34.9 clamp
Rear Derailleur	Shimano Tiagra	Shimano Tiagra
Shifters	Shimano Tiagra	Shimano Tiagra
Handlebar	Cannondale C3, 31.8	Cannondale C3, 31.8
Stem	Cannondale C3	Cannondale C3
Headset	Tange integrated, 25mm alloy top cover	Tange integrated, 25mm alloy top cover
Brakes/Levers	Shimano Tiagra, w/shifters	Tektro R31

<i>CYCLOCROSS 5</i> (OXR5C, OXR5T)	
Frame	CAAD8 Cyclocross, double butted, mech formed, 6061 alloy
Fork	Ultra X Cyclocross Carbon blades
Rear Shock	N/A
Rims	Maddux DRX6000, w/eyelets, 32 hole
Hubs	Formula RB51/RB52
Spokes	Stainless, 15g, Black
Tires	Kenda Small Block 8, 120 TPI 700 X 35c, foldable
Pedals	N/A
Crank	FSA Gossamer Cyclocross Compact, 46/36
Crank Option	FSA Gossamer Triple, 50/39/30
Bottom Bracket	FSA Mega EXO
Chain	KMC X10 with missing link
Rear Cogs	Shimano 105, 12-25
Front Derailleur	Shimano 105
Rear Derailleur	Shimano 105
Shifters	Shimano 105
Handlebar	Control Tech
Stem	Cannondale C3, 6 degree, 31.8mm
Headset	Tange Integrated CX w/cable hanger
Brakes	Tektro CR720 Cantilevers w/cartridge Pads
Brake Levers	Shimano 105 STI
Saddle	Prologo Kappa
Seatpost	Cannondale C3, 2 bolt, 31.6
Sizes	44, 48, 51, 54, 56, 58, 61cm
Color 1 (code)	Brushed Aluminum (gloss) (RAW).
Extras	Velo 3.5mm Suede w/gel backing tape

<i>CYCLOCROSS 6</i> (OXR6C, OXR6T)	
Frame	CAAD8 Cyclocross, double butted, mech formed, 6061 alloy
Fork	Ultra X Cyclocross Carbon blades
Rear Shock	N/A
Rims	Maddux DRX6000, w/eyelets, 32 hole
Hubs	Formula RB51/RB52
Spokes	Stainless, 15g, Black
Tires	Kenda Small Block 8, 120 TPI 700 X 35c, foldable
Pedals	N/A
Crank	FSA Omega Cyclocross Compact, 46/36
Crank Option	FSA Omega Triple, 50/39/30
Bottom Bracket	FSA Mega EXO
Chain	KMC Z9200 with missing link
Rear Cogs	SRAM PG-950, 12-26
Front Derailleur	Shimano Sora
Rear Derailleur	Shimano Tiaga
Shifters	Shimano Sora
Handlebar	Cannondale C3, CX
Stem	Cannondale C3, 6 degree, 31.8mm
Headset	Tange Integrated CX w/cable hanger
Brakes	Tektro CR520 Cantilever
Brake Levers	Shimano Tiagra STI w/Tektro RL721 B levers
Saddle	Prologo Kappa
Seatpost	Cannondale C3, 2 bolt, 31.6
Sizes	44, 48, 51, 54, 56, 58, 61cm
Color 1 (code)	Jet Black (matte) (BBQ).
Extras	Velo 3.5mm Suede w/gel backing tape

<i>MOTO CARBON 1</i> (OVB1)	
Frame	Moto Carbon w/SCG, Si BB30, carbon links, 160mm
Fork	Fox 36 TALAS RC2, 160mm, 1.5
Rear Shock	Fox DHX 5.0
Rims	Mavic Crossmax SX, tubeless
Hubs	Mavic Thru-20 front, Mavic Thru-12 rear
Spokes	Mavic
Tires	Kenda Nevegal, 26 x 2.35", Iron Cap, foldable, UST
Pedals	Crank Brothers Candy
Crank	FSA K-Force Light BB30, 44/32/22
Crank Option	N/A
Bottom Bracket	FSA BB30
Chain	KMC X9 CP 9-speed
Rear Cogs	Shimano XTR, 11-34
Front Derailleur	Shimano XT
Rear Derailleur	SRAM X-0
Shifters	SRAM X-0
Handlebar	FSA K-Force, 660mm, 25mm riser
Stem	Cannondale XC3, 1.5
Headset	Tange Custom 1.5 Integrated
Brakes	Magura Louise BAT Carbon 180/180mm (S-M), 203/180mm (L-X)
Brake Levers	Magura Louise BAT Carbon
Saddle	Fi:zi'k Gobi XM, Kium rails
Seatpost	Thomson Elite, 31.6mm
Sizes	S, M, L, X
Color 1 (code)	Magnesium White w/Jet Black and Stealth Grey (gloss) (GRY).
Extras	Cannondale Grind Locking grips

<i>MOTO CARBON 2</i> (OVB2)	
Frame	Moto Carbon w/SCG, Si BB30, carbon links, 160mm
Fork	Fox 36 TALAS R, 160mm, 1.5
Rear Shock	Fox RP23 w/boost valve
Rims	DT Swiss E540
Hubs	DT Swiss 340 Thru-20, 32 hole front, DT Swiss 340 Thru-12, 32 hole rear
Spokes	DT Swiss Competition
Tires	Kenda Nevegal, 26 x 2.35", Iron Cap, foldable
Pedals	Crank Brothers Candy
Crank	FSA Afterburner BB30 w/Carbon Spider, 44/32/22
Crank Option	N/A
Bottom Bracket	FSA BB30
Chain	KMC X9 CP 9-speed
Rear Cogs	SRAM PG-970, 11-34
Front Derailleur	SRAM X-7
Rear Derailleur	SRAM X-9
Shifters	SRAM X-9
Handlebar	FSA XC-190 680mm, 20mm riser
Stem	Cannondale XC3, 1.5
Headset	Tange Custom 1.5 Integrated
Brakes	Magura Louise BAT 180/180mm (S-M), 203/180mm (L-X)
Brake Levers	Magura Louise BAT
Saddle	Fi:zi'k Gobi XM, MG rails
Seatpost	Thomson Elite, 31.6mm
Sizes	S, M, L, X
Color 1 (code)	Magnesium White w/Jet Black and Berserker Green (gloss) (GRN).
Extras	Cannondale Grind Locking grips

<i>MOTO 3</i> (OVB3)	
Frame	Moto Alloy w/SCG, 160mm
Fork	Rock Shox Lyric IS U-Turn, 160-115mm, 1.5
Rear Shock	Rock Shox Monarch 4.2
Rims	DT Swiss E540
Hubs	Formula DC91 Thru-20, 32 hole front, Formula DC36 Thru-12, 32 hole rear
Spokes	DT Swiss Champion
Tires	Schwalbe Nobby Nic Folding w/Snakeskin, 26 x 2.4", foldable
Pedals	Crank Brothers Candy
Crank	Truvativ Hammerschmidt AM, 22T (36/22)
Crank Option	N/A
Bottom Bracket	Truvativ Hammerschmidt
Chain	KMC X9 CP 9-speed
Rear Cogs	SRAM PG-970, 11-34
Front Derailleur	None
Rear Derailleur	SRAM X-9, Mid cage
Shifters	SRAM X-9
Handlebar	Truvativ Hussefelt 680mm, 20mm riser
Stem	Truvativ AKA, 1.5
Headset	Tange Custom 1.5 Integrated
Brakes	Avid Elixir R 180/180mm (S-M), 203/180mm (L-X)
Brake Levers	Avid Elixir R
Saddle	SDG Formula MTR, chromoly rails
Seatpost	Kinshock Adjustable i900, 31.6mm
Sizes	S, M, L, X
Color 1 (code)	Galvanized (gloss) (GZD).
Color 2 (code)	N/A
Extras	Cannondale Grind Locking grips

<i>RZ ONE FORTY 3Z</i> (OVT3Z)	
Frame	RZ One Forty Alloy ISCG, Si BB30, 140mm
Fork	Rock Shox Revelation Team Air U-Turn, 140mm
Rear Shock	Rock Shox Monarch 4.2
Rims	Sun EQ27
Hubs	Formula DC 91 Thru-20 front, Sun Dirty Flea, 32 hole rear
Spokes	DT Swiss Competition
Tires	Schwalbe Nobby Nic Folding w/Snakeskin, 26 x 2.25"
Pedals	Crank Brothers Candy
Crank	Truvativ Hammerschmidt AM 24T (38/24)
Bottom Bracket	Truvativ Hammerschmidt
Chain	KMC X9 CP 9-speed
Rear Cogs	SRAM PG-970, 11-34
Front Derailleur	None
Rear Derailleur	SRAM X-9
Shifters	SRAM X-9
Handlebar	Truvativ Hussefelt 680mm, 20mm riser
Stem	Truvativ AKA, 1.5
Headset	Tange Custom 1.5 Integrated
Brakes	Avid Elixir R 180/180mm (S-M), 180/180mm (L-X)
Brake Levers	Avid Elixir R
Saddle	SDG Formula MTR, chromoly rails
Seatpost	Cannondale C3, 31.6mm
Sizes	S, M, L, X
Color 1 (code)	Galvanized (gloss) (GZD).
Color 2 (code)	N/A
Extras	Cannondale Morse Alloy Locking grips

<i>RZ ONE FORTY 4</i> (OVT4)	
Frame	RZ One Forty Alloy, Si BB30, 140mm
Fork	Fox 32 Float RL 140, 1.5
Rear Shock	Fox Float RP2
Rims	Sun EQ25
Hubs	Formula HB-M525 front, Shimano FH-M525 rear
Spokes	DT Swiss Champion
Tires	Schwalbe Nobby Nic Folding w/Snakeskin, 26 x 2.25"
Pedals	Crank Brothers Candy
Crank	Shimano FC-M542, 44/32/22
Bottom Bracket	Shimano SM-BB50
Chain	KMC X9 9-speed
Rear Cogs	SRAM PG-950, 11-34
Front Derailleur	Shimano Deore
Rear Derailleur	Shimano XT
Shifters	Shimano SLX
Handlebar	FSA XC 281 660mm, 25mm riser
Stem	Cannondale XC3, 1.5
Headset	Tange Custom 1.5 Integrated
Brakes	Hayes Stroker Ryde 180/160mm (S-M), 180/180mm (L-X)
Brake Levers	Hayes Stroker Ryde
Saddle	Prologo Vertigo Max, chromoly rails
Seatpost	Cannondale C3, 31.6mm
Sizes	S, M, L, X
Color 1 (code)	Nu Team Blue w/Jet Black (gloss) (BLU).
Color 2 (code)	Charcoal Grey (gloss) (GRY).
Extras	Cannondale Morse Alloy Locking grips

<i>RZ ONE FORTY 5</i> (OVT5)	
Frame	RZ One Forty Alloy, Si BB30, 140mm
Fork	RST Deuce 140, 15 mm, 1.5
Rear Shock	X-Fusion O2 RLZ
Rims	Maddux DC3.0 Disc
Hubs	Formula DC51 Thru-15, 32 hole front, Formula DC22, 32 hole rear
Spokes	DT Swiss Champion
Tires	Kenda Nevegal, 26 x 2.1", wire bead
Pedals	Cannondale Grind
Crank	Shimano FC-M442-8, 44/32/22
Bottom Bracket	Shimano ES-25
Chain	KMC X9 9-speed
Rear Cogs	SRAM PG-970, 11-34
Front Derailleur	Shimano Deore
Rear Derailleur	SRAM X-7
Shifters	SRAM X-9
Handlebar	Cannondale C3 650mm, 20mm riser
Stem	Cannondale XC3, 1.5
Headset	Tange Custom 1.5 Integrated
Brakes	Shimano BR-M486 180/160mm (S-M), 180/180mm (L-X)
Brake Levers	Shimano BR-M486
Saddle	Cannondale C3 Ergonomic Form, chromoly rails
Seatpost	Cannondale C3, 31.6mm
Sizes	S, M, L, X
Color 1 (code)	Jet Black (matte) (BBQ).
Color 2 (code)	Magnesium White w/Jet Black (gloss) (WHT).
Extras	Cannondale Morse Alloy Locking grips

<i>RZ ONE TWENTY 1</i> (OVL1)	
Frame	RZ One Twenty, Si BB30
Fork	Lefty Ultra Carbon w/PBR, 120mm
Rear Shock	Fox Float RP23
Rims	DT Swiss XCR 1.5 Custom
Hubs	Lefty SL, 24 hole front, DT Swiss 340, 24 hole rear
Spokes	DT Swiss Revolution
Tires	Schwalbe Racing Ralph EVO Folding, 26 x 2.25"
Pedals	Crank Brothers Candy
Crank	FSA Afterburner BB30 w/Carbon Spider, 44/32/22
Bottom Bracket	FSA BB30
Chain	KMC X9 CP 9-speed
Rear Cogs	SRAM PG-970, 11-34
Front Derailleur	SRAM X-7
Rear Derailleur	SRAM X-9
Shifters	SRAM X-9
Handlebar	FSA XC-282 660mm, 18mm riser, 31.8mm
Stem	Cannondale XC3 Si Stem/Steerer
Headset	Cannondale HeadShok Si
Brakes	Avid Elixir CR, 160/160mm
Brake Levers	Avid Elixir CR
Saddle	Prologo Vertigo Max, chromoly rails
Seatpost	Cannondale C2 Black, 31.6mm
Sizes	S, M, L, X
Color 1 (code)	Magnesium White (gloss) (WHT).
Color 2 (code)	N/A
Extras	Cannondale Morse Alloy Locking grips

<i>RZ ONE TWENTY 2</i> (OVL2)	
Frame	RZ One Twenty, Si BB30
Fork	Lefty Ultra w/PBR, 120mm
Rear Shock	Fox Float RP2
Rims	DT Swiss X430
Hubs	Lefty SL, 32 hole front, Shimano FH-M525, 32 hole rear
Spokes	DT Swiss Competition
Tires	Schwalbe Racing Ralph EVO Folding, 26 x 2.25"
Pedals	Crank Brothers Candy
Crank	FSA V-Drive BB30, 44/32/22
Bottom Bracket	FSA BB30
Chain	KMC X9 9-speed
Rear Cogs	SRAM PG-950, 11-34
Front Derailleur	SRAM X-7
Rear Derailleur	SRAM X-9
Shifters	SRAM X-7
Handlebar	FSA XC-282 660mm, 18mm riser, 31.8mm
Stem	Cannondale XC3 Si Stem/Steerer
Headset	Cannondale HeadShok Si
Brakes	Avid Elixir R, 160/160mm
Brake Levers	Avid Elixir R
Saddle	Prologo Vertigo Max, chromoly rails
Seatpost	Cannondale C2 Black, 31.6mm
Sizes	S, M, L, X
Color 1 (code)	Jet Black (gloss) (BLK).
Color 2 (code)	Fine Silver (matte) (SLV).
Extras	Cannondale Morse Alloy Locking grips

<i>MOTO 4</i> (OVB4)	
Frame	Moto Alloy w/SCG, 160mm
Fork	Rock Shox Lyric IS U-Turn, 160-115mm, 1.5
Rear Shock	Rock Shox Monarch 3.1
Rims	DT Swiss E540
Hubs	Formula DC91 Thru-20, 32 hole front, Formula DC36 Thru-12, 32 hole rear
Spokes	DT Swiss Champion
Tires	Kenda Nevegal, 26 x 2.35", Iron Cap, foldable
Pedals	Cannondale Grind
Crank	Truvativ Stylo 3.2, 44/32/22
Bottom Bracket	Truvativ GXP
Chain	KMC X9 9-speed
Rear Cogs	SRAM PG-950, 11-34
Front Derailleur	SRAM X-7
Rear Derailleur	SRAM X-9
Shifters	SRAM X-7
Handlebar	FSA XC-281 680mm, 25mm riser
Stem	Cannondale XC3, 1.5
Headset	Tange 1.5
Brakes	Magura Louise 180/180mm (S-M), 203/180mm (L-X)
Brake Levers	Magura Louise
Saddle	SDG Formula MTR, chromoly rails
Seatpost	Cannondale C3, 31.6mm
Sizes	S, M, L, X
Color 1 (code)	Magnesium White w/Jet Black and Berserker Green (gloss) (GRN).
Color 2 (code)	Jet Black w/Fine Silver (gloss) (BLK).
Extras	Cannondale Grind Locking grips

<i>MOTO 5</i> (OVB5)	
Frame	Moto Alloy w/SCG, 160mm
Fork	Rock Shox Domain 302 U-Turn 160-115mm, 1.5
Rear Shock	Rock Shox Monarch 2.1
Rims	Sun Single Track SL Disc
Hubs	Formula DC91 Thru-20, 32 hole front, Formula DC36 Thru-12, 32 hole rear
Spokes	DT Swiss Champion
Tires	Kenda Nevegal, 26 x 2.35", Iron Cap, foldable
Pedals	Cannondale Grind
Crank	Truvativ GXP2, 36/22
Bottom Bracket	Truvativ GXP
Chain	KMC X9 9-speed
Rear Cogs	SRAM PG-950, 11-34
Front Derailleur	Shimano Deore
Rear Derailleur	SRAM X-9
Shifters	SRAM X-5
Handlebar	FSA XC-281 680mm, 25mm, 31.8mm
Stem	Cannondale XC3, 1.5
Headset	Tange 1.5
Brakes	Hayes Stroker Ryde 180/180mm (S-M), 203/180mm (L-X)
Brake Levers	Hayes Stroker Ryde
Saddle	SDG Formula MTR, chromoly rails
Seatpost	Cannondale C3, 31.6mm
Sizes	S, M, L, X
Color 1 (code)	Magnesium White w/Jet Black and Race Red (gloss) (WHT).
Color 2 (code)	Jet Black (matte) (BBQ).
Extras	Cannondale Grind Locking grips

<i>RZ ONE FORTY CARBON 1</i> (OVT1)	
Frame	RZ One Forty Carbon, Si BB30, 140mm
Fork	Lefty Max Carbon w/PBR, 140 mm
Rear Shock	Rock Shox Monarch 4.2
Rims	Mavic Crossmax ST, tubeless
Hubs	Mavic Lefty front, Mavic 9mm rear
Spokes	Mavic
Tires	Schwalbe Nobby Nic EVO Folding w/UST, 26 x 2.25"
Pedals	Crank Brothers Candy
Crank	FSA K-Force Light BB30, 44/32/22
Bottom Bracket	FSA BB30
Chain	KMC X9 SL 9-speed
Rear Cogs	Shimano XT, 11-34
Front Derailleur	Shimano XT
Rear Derailleur	Shimano XTR
Shifters	Shimano XT
Handlebar	FSA K-Force, 660mm, 20mm riser
Stem	Cannondale HeadShok
Headset	HeadShok
Brakes	Avid Elixir CR Carbon 180/160mm (S-M), 180/180mm (L-X)
Brake Levers	Avid Elixir CR Mag
Saddle	Fi:zi'k Gobi XM, Kium rails
Seatpost	Thomson Elite, 31.6mm
Sizes	S, M, L, X
Color 1 (code)	Jet Black (gloss) (BLK).
Color 2 (code)</	

	SCALPEL 3 (OVP3)
Frame	Scalpel Alloy w/Zero Pivot Carbon stays, Si BB30, 100mm
Fork	Lefty Speed Carbon w/DLR, 110mm
Rear Shock	Fox Float RPL
Rims	DT Swiss XCR 1.5 Custom
Hubs	Lefty SL, 24 hole front, DT Swiss 340, 24 hole rear
Spokes	DT Swiss Revolution
Tires	Schwalbe Racing Ralph, 26 x 2.1" Evo Double Defense, foldable
Pedals	Crank Brothers Egg Beater
Crank	FSA V-Drive BB30, 44/32/22
Bottom Bracket	FSA BB30
Chain	KMC X9 CP 9-speed
Rear Cogs	SRAM PG-970, 11-34
Front Derailleur	SRAM X-9
Rear Derailleur	SRAM X-9
Shifters	SRAM X-9
Handlebar	Cannondale C2 Flat, 580mm, 31.8mm
Stem	Cannondale XC3 Si Stem/Steerer
Headset	Cannondale HeadShok Si
Brakes	Avid Elixir CR, 160/160mm
Brake Levers	Avid Elixir CR
Saddle	Fizik Aliante Delta XM, MG rails
Seatpost	Cannondale C3, 27.2mm
Sizes	S, M, L, X
Color 1 (code)	Jet Black (gloss) (BLK).
Extras	Cannondale Morse grips

	SCALPEL 4 (OVP4)
Frame	Scalpel Alloy w/Zero Pivot Carbon stays, Si BB30, 100mm
Fork	Lefty Speed w/DLR, 110mm
Rear Shock	Rock Shox Monarch 2.1
Rims	Sun EQ 25
Hubs	Lefty SL, 24 hole front, Formula DC 32, 24 hole rear
Spokes	DT Swiss Champion
Tires	Schwalbe Racing Ralph, 26 x 2.1" Evo Double Defense, foldable
Pedals	Crank Brothers Egg Beater
Crank	Shimano FC-M542, 44/32/22
Bottom Bracket	Shimano FC-M542
Chain	KMC X9 9-speed
Rear Cogs	SRAM PG-950, 11-34
Front Derailleur	Shimano Deore
Rear Derailleur	Shimano XT
Shifters	Shimano SLX
Handlebar	Cannondale C2 Flat, 580mm, 31.8mm
Stem	Cannondale XC3 Si Stem/Steerer
Headset	Cannondale HeadShok Si
Brakes	Avid Elixir 5, 160/160mm
Brake Levers	Avid Elixir 5
Saddle	Prologo Vertigo Max, chromoly rails
Seatpost	Cannondale C3, 27.2 mm
Sizes	S, M, L, X
Color 1 (code)	Magnesium White w/Race Red and Jet Black (gloss) (WHT).
Extras	Cannondale Morse grips

	FLASH CARBON ULTIMATE (OFSOS)
Frame	Flash Carbon Hi-MOD, Si BB30
Fork	Lefty Speed Carbon SL w/DLR, 110mm
Rear Shock	N/A
Rims	DT Swiss XCR 1.2 Carbon Custom
Hubs	Cannondale Lefty SL, 24 hole front, DT Swiss 190, 28 hole rear
Spokes	DT Swiss Aerospeed
Tires	Schwalbe Furious Fred, 26 x 2.1" Evo, foldable
Pedals	Crank Brothers Egg Beaters
Crank	Cannondale Hollowgram SL, 42/28
Bottom Bracket	Cannondale BB30
Chain	KMC X10 SL 10-speed
Rear Cogs	SRAM XX, 11-36
Front Derailleur	SRAM XX
Rear Derailleur	SRAM XX
Shifters	SRAM XX
Handlebar	FSA K-Force Flat, 600mm, 31.8mm
Stem	Cannondale XC3 Si Stem/Steerer
Headset	Cannondale HeadShok Si
Brakes	SRAM XX, 160/140mm
Brake Levers	SRAM XX
Saddle	Fizik Antares, Carbon rails
Seatpost	Cannondale Custom SL, 27.2mm
Sizes	S, M, L, X
Color 1 (code)	Team Replica, Carbon (gloss) (REP).
Extras	Cannondale foam grips

	FLASH CARBON 1 (OFS1S)
Frame	Flash Carbon Hi-MOD, Si BB30
Fork	Lefty Speed Carbon SL w/DLR, 110mm
Rear Shock	N/A
Rims	Shimano XTR, tubeless
Hubs	Shimano XTR Lefty front, Shimano XTR rear
Spokes	Shimano
Tires	Schwalbe Racing Ralph, 26 x 2.1" Evo, foldable
Pedals	Crank Brothers Egg Beaters
Crank	FSA K-Force Light BB30, 44/32/22
Bottom Bracket	FSA BB30
Chain	KMC X9 SL 9-speed
Rear Cogs	Shimano XTR, 12-34
Front Derailleur	Shimano XTR
Rear Derailleur	Shimano XTR
Shifters	Shimano XTR
Handlebar	FSA XC-190 Flat, 600mm Alloy, 31.8mm
Stem	Cannondale XC3 Si Stem/Steerer
Headset	Cannondale HeadShok Si
Brakes	Shimano XTR, 160/160mm
Brake Levers	Shimano XTR
Saddle	Fizik Antares, Kium rails
Seatpost	Cannondale Custom SL, 27.2mm
Sizes	S, M, L, X
Color 1 (code)	Carbon w/Race Red and White accents (gloss) (RED).
Extras	Cannondale foam grips

	FLASH CARBON 2 (OFS2S)
Frame	Flash Carbon Standard Modulus, Si BB30
Fork	Lefty Speed Carbon w/DLR, 110mm
Rear Shock	N/A
Rims	DT Swiss XCR 1.5 Custom
Hubs	Lefty SL, 24 hole front, DT Swiss 340, 24 hole rear
Spokes	DT Swiss Revolution
Tires	Schwalbe Racing Ralph, 26 x 2.1" Evo, foldable
Pedals	Crank Brothers Candy
Crank	FSA V-Drive BB30, 44/32/22
Bottom Bracket	FSA BB30
Chain	KMC X9 CP 9-speed
Rear Cogs	SRAM PG-950, 11-32
Front Derailleur	Shimano SLX
Rear Derailleur	SRAM X-9
Shifters	SRAM X-7
Handlebar	Cannondale C2 Flat, 580mm, 31.8mm
Stem	Cannondale C4
Headset	Tange ER2 Slim Stack
Brakes	SRAM BBS Mechanical, 160/160mm
Brake Levers	Cannondale C4
Saddle	Cannondale C3, ergonomic design
Seatpost	Cannondale C4, 31.6mm
Sizes	S, M, L, X, J
Color 1 (code)	Magnesium White w/Nu Team Blue (gloss) (BLU).
Color 2 (code)	Fine Silver w/Charcoal Grey (gloss) (SLV).
Extras	Cannondale Morse grips

	F7 (OFS7)
Frame	CO2, butted, 6061 alloy
Fork	RST Gila Pro with rebound adjust and lock-out, 100mm
Rims	Alex DC4.5, double wall with eyelet, disc specific
Hubs	Formula DC20, 28 hole, 6 bolt front, Formula DC22, 32 hole, 6 bolt rear
Spokes	Stainless steel, 15g
Tires	Kenda Small Block 8, 26 x 2.1"
Pedals	Platform resin body w/steel cage
Crank	Shimano M311, 42/32/22
Bottom Bracket	Tange Cartridge type
Chain	KMC, 8-speed
Rear Cogs	Sunrace M66, 12-32
Front Derailleur	Shimano M311
Rear Derailleur	SRAM X-4
Shifters	SRAM X-4, trigger
Handlebar	Cannondale C4
Stem	Cannondale C4
Headset	Tange ER2 Slim Stack
Brakes	Tektro IO Mechanical, 160/160mm
Brake Levers	Cannondale C4
Saddle	Cannondale C3, ergonomic design
Seatpost	Cannondale C4, 31.6mm
Sizes	S, M, L, X, J
Color 1 (code)	Jet Black w/Charcoal Grey (gloss) (BLK).
Color 2 (code)	Magnesium White w/Charcoal Grey (gloss) (SLV).
Extras	Cannondale Morse grips

	F8 (OFS8)
Frame	CO2, butted, 6061 alloy
Fork	RST Gila T, 80mm
Rims	Alex DC4.5, double wall with eyelet, disc specific
Hubs	Formula DC20, 28 hole, 6 bolt front, Formula DC22, 32 hole, 6 bolt rear
Spokes	Stainless steel, 15g
Tires	Kenda Small Block 8, 26 x 2.1"
Pedals	Platform resin body w/steel cage
Crank	Shimano M311, 42/32/22
Bottom Bracket	Tange Cartridge type
Chain	KMC, 8-speed
Rear Cogs	Sunrace M56, 11-32
Front Derailleur	Shimano M311
Rear Derailleur	Shimano Acera
Shifters	Shimano ST-EF50, EZ Fire
Handlebar	Cannondale C4
Stem	Cannondale C4
Headset	Tange ER2 Slim Stack
Brakes	Tektro IO Mechanical, 160/160mm
Brake Levers	Shimano ST-EF50
Saddle	Cannondale C3, ergonomic design
Seatpost	Cannondale C4, 31.6mm
Sizes	S, M, L, X, J
Color 1 (code)	Jet Black w/Charcoal Grey (gloss) (BLK).
Color 2 (code)	Magnesium White w/Red and Race Red accents (gloss) (RED).
Extras	Cannondale Morse grips

	F9 (OFS9)
Frame	CO2, butted, 6061 alloy
Fork	RST Gila T, 80mm
Rims	Maddux EC5.0, double wall
Hubs	Formula DC20, 28 hole, 6 bolt front, Formula DC22, 32 hole, 6 bolt rear
Spokes	Stainless steel, 15g
Tires	Kenda Small Block 8, 26 x 2.1"
Pedals	Platform resin body w/steel cage
Crank	Shimano M311, 42/32/22
Bottom Bracket	Tange Cartridge type
Chain	KMC, 8-speed
Rear Cogs	Sunrace M56, 11-32
Front Derailleur	Shimano M311
Rear Derailleur	Shimano Acera
Shifters	Shimano ST-EF50, EZ Fire
Handlebar	Cannondale C4
Stem	Cannondale C4
Headset	Tange ER2 Slim Stack
Brakes	Tektro 836 V-brake
Brake Levers	Shimano ST-EF50
Saddle	Cannondale C3, ergonomic design
Seatpost	Cannondale C4, 31.6mm
Sizes	S, M, L, X, J
Color 1 (code)	Nu Team Blue w/Red accents (gloss) (BLU2).
Color 2 (code)	Race Red w/Red accents (gloss) (RED).
Extras	Cannondale Morse grips

	FLASH CARBON 29'ER 1 (OFS291S)
Frame	New Flash Carbon 29, Si BB30
Fork	Lefty 29'er Carbon SL w/DLR, 80mm
Rear Shock	Stan's ZTR Arch 29
Rims	DT Swiss X470
Hubs	Cannondale Lefty SL, 32 hole front, DT Swiss 240S, 32 hole rear
Spokes	DT Swiss Aerospeed
Tires	Schwalbe Racing Ralph, 29 x 2.25" Evo, foldable
Pedals	Crank Brothers Egg Beaters
Crank	FSA K-Force Light BB30, 44/32/22
Bottom Bracket	FSA BB30
Chain	KMC X9 SL 9-speed
Rear Cogs	SRAM PG-990, 11-34
Front Derailleur	Shimano XT
Rear Derailleur	SRAM X-O
Shifters	SRAM X-O
Handlebar	Truvativ Stylo World Cup Flat, 700mm, 10 degree sweep
Stem	Cannondale Stem/Steerer
Headset	HeadShok
Brakes	Avid Elixir CR Carbon, 180/160mm
Brake Levers	Avid Elixir CR Carbon
Saddle	Fizik Gobi XM, Kium Rails
Seatpost	Cannondale Custom, SL 27.2mm
Sizes	M, L, X
Color 1 (code)	Carbon w/Race Red accents (gloss) (RED).
Color 2 (code)	N/A
Extras	Cannondale foam grips

	FLASH CARBON 29'ER 2 (OFS292S)
Frame	New Flash Carbon 29, Si BB30
Fork	Lefty 29'er Carbon w/DLR, 80mm
Rear Shock	DT Swiss X470
Rims	DT Swiss X470
Hubs	Cannondale Lefty SL 32 hole front, DT Swiss 340, 32 hole rear
Spokes	DT Swiss Competition
Tires	Schwalbe Racing Ralph, 29 x 2.25" Evo, foldable
Pedals	Crank Brothers Egg Beaters
Crank	FSA V-Drive BB30, 44/32/22
Bottom Bracket	FSA BB30
Chain	KMC X9 CP 9-speed
Rear Cogs	SRAM PG-970, 11-34
Front Derailleur	Shimano SLX
Rear Derailleur	SRAM X-9
Shifters	SRAM X-7
Handlebar	Truvativ Stylo World Cup Flat, 700mm, 10 degree sweep
Stem	Cannondale Stem/Steerer
Headset	HeadShok
Brakes	Avid Elixir R, 180/160mm
Brake Levers	Avid Elixir R
Saddle	Fizik Gobi XM, MG Rails
Seatpost	Thomson Elite, 27.2mm
Sizes	M, L, X
Color 1 (code)	Jet Black w/Magnesium White accents (gloss) (WHT).
Color 2 (code)	N/A
Extras	Cannondale foam grips

	F1 (OFS1)
Frame	Flash, Si BB30, double butted, hydro formed, 6061 alloy
Fork	Lefty Speed Carbon w/DLR, 110mm
Rims	DT Swiss X430
Hubs	Lefty SL, 24 hole front, DT Swiss 370, 24 hole rear
Spokes	DT Swiss Competition
Tires	Kenda Small Block Eight, 26 x 2.1", foldable
Pedals	Crank Brothers Candy
Crank	Truvativ Fire-X 3.2, 44/32/22
Bottom Bracket	Truvativ GXP
Chain	KMC X9 CP 9-speed
Rear Cogs	SRAM PG-970, 11-32
Front Derailleur	Shimano SLX
Rear Derailleur	SRAM X-9
Shifters	SRAM X-7
Handlebar	Cannondale C2 Flat, 580mm, 31.8mm
Stem	Cannondale XC3 Si Stem/Steerer
Headset	Cannondale HeadShok Si
Brakes	Avid Elixir R, 160/160mm
Brake Levers	Avid Elixir R
Saddle	Prologo Vertigo Max, chromoly rails
Seatpost	Cannondale C2, 31.6mm x 350mm
Sizes	S, M, L, X
Color 1 (code)	Magnesium White (gloss) (WHT).
Color 2 (code)	N/A
Extras	Cannondale Morse Alloy Locking grips

	F2 (OFS2)
Frame	Flash, Si BB30, double butted, hydro formed, 6061 alloy
Fork	Lefty Speed w/DLR, 110mm
Rims	Sun EQ25
Hubs	Lefty SL, 32 hole front, Shimano FH-M525, 32 hole rear
Spokes	DT Swiss Competition
Tires	Kenda Small Block 8, 26 x 2.1", foldable
Pedals	Crank Brothers Candy
Crank	Shimano FC-M521, 44/32/22
Bottom Bracket	Shimano BB-ES25
Chain	KMC X9, 9-speed
Rear Cogs	SRAM PG-950, 11-32
Front Derailleur	SRAM X-7
Rear Derailleur	SRAM X-7
Shifters	SRAM X-7
Handlebar	Cannondale C3, 650 x 20mm riser
Stem	Cannondale HeadShok
Headset	Cannondale HeadShok Si
Brakes	Avid Elixir 5, 160/160mm
Brake Levers	Avid Elixir 5
Saddle	Cannondale C3 Ergonomic Form, chromoly rails
Seatpost	Cannondale C3, 31.6mm
Sizes	S, M, L, X
Color 1 (code)	Race Red (gloss) (RED).
Color 2 (code)	N/A
Extras	Cannondale Morse Alloy Locking grips

	F3 (OFS3)
Frame	Flash, Si BB30, double butted, hydro formed, 6061 alloy
Fork	Lefty Speed w/DLR, 110mm
Rims	Maddux DC3.0, double wall with eyelet, disc specific
Hubs	Lefty SL, 32 hole front, Formula DC-22, 32 hole rear
Spokes	DT Swiss Champion
Tires	Kenda Nevegal, 26 x 2.1"
Pedals	Wellgo Platform w/Metal Grip
Crank	Shimano M442 Octalink, 44/32/22
Bottom Bracket	Shimano Octalink
Chain	KMC X9, 9-speed
Rear Cogs	SRAM PG-950, 11-32
Front Derailleur	SRAM X-7
Rear Derailleur	SRAM X-7
Shifters	SRAM X-5
Handlebar	Cannondale C3, 650 x 20mm riser
Stem	Cannondale HeadShok
Headset	Cannondale HeadShok Si
Brakes	Avid Juicy 3, 160/160mm
Brake Levers	Avid Juicy 3
Saddle	Cannondale C3 Ergonomic Form, chromoly rails

	QUICK CARBON 1 (OQRC1C)	QUICK CARBON 2 (OQRC2C, OQRC2T)	QUICK 1 (9QR1)	QUICK 2 (9QR2)	QUICK 3 (9QR3)
Frame	Quick, Full Carbon, BB30 Si	Quick, Full Carbon, BB30 Si	Quick, Hydroformed 6061 alloy w/carbon seat stays	Quick, Hydroformed 6061 alloy w/carbon seat stays	Quick, Hydroformed 6061 alloy w/carbon seat stays
Fork	Quick, Full Carbon, Si	Quick, Full Carbon, Si	Ultra X All-Conditions Carbon	Ultra X All-Conditions Carbon	Ultra X All-Conditions Carbon
Rims	Formula XERO Element CXR	Formula XERO Element CXR	Mavic Aksium Race	Formula CXR 350	Cannondale C3 w/machined sidewall, 32 hole
Hubs	Formula XERO Element CXR	Formula XERO Element CXR	Mavic Aksium Race	Formula CXR 350	Shimano HB-RM40 front, FH-RM30 rear
Spokes	Formula XERO Element CXR	Formula XERO Element CXR	Mavic Aksium Race	Formula CXR 350	15g stainless steel
Tires	Kenda Kwick Roller Sport, 700 X 28c	Kenda Kwick Roller Sport, 700 X 28c	Kenda Kwick Roller Sport, 700 X 28c	Kenda Kwick Roller Sport, 700 X 28c	Kenda Kwick Roller Sport, 700 X 28c
Pedals	Wellgo alloy cage	Wellgo alloy cage	VP platform w/sole-friendly alloy cage	VP platform w/sole-friendly alloy cage	VP platform w/sole-friendly alloy cage
Crank	FSA SLK BB30 Compact MegaExo, 50/34	FSA Gossamer BB30 Compact, 50/34	FSA Gossamer Compact MegaExo, 50/34	FSA Omega MegaExo Triple, 50/39/30	Shimano FC-M443, 48/36/26
Crank Option	N/A	FSA Gossamer BB30 Triple, 52/39/30	N/A	N/A	N/A
Bottom Bracket	BB30	BB30	FSA Omega MegaExo	FSA Omega MegaExo	Tange Seiki Cartridge
Chain	KMC 10-speed	KMC 10-speed	KMC 10-speed	KMC 9-speed	KMC 9-speed
Rear Cogs	SRAM OG-1070, 12-27	SRAM OG-1070, 12-27	SRAM OG-1070, 12-27	SRAM PG-950, 12-26	SRAM PG-950, 12-26
Front Derailleur	Shimano 105, braze-on	Shimano 105, braze-on	Shimano FD-R770	Shimano FD-R443-9	Shimano Deore
Rear Derailleur	Shimano Ultegra 6700	Shimano 105 Black SS/GS	Shimano Ultegra SL double	Shimano 105 triple	SRAM X-7
Shifters	Shimano SL-R770, 10 speed	Shimano SL-R770, 10 speed	Shimano SL-R770, 10 speed	Shimano SL-R440, 9 speed	SRAM X-5 trigger, 9 speed
Handlebar	Cannondale C3, 20mm rise, 600mm wide	Cannondale C3, 20mm rise, 600mm wide	Cannondale C3, 20mm rise, 600mm wide	Cannondale C3, 20mm rise, 600mm wide	Cannondale C3, 20mm rise, 600mm wide
Stem	Cannondale C3 1 1/8", 31.8mm	Cannondale C3 1 1/8", 31.8mm	Cannondale C3 1 1/8", 31.8mm	Cannondale C3 1 1/8", 31.8mm	Cannondale C3 1 1/8", 31.8mm
Headset	Tange Integrated w/25mm top cover	Tange Integrated w/25mm top cover	Tange Integrated w/25mm top cover	Tange Integrated w/25mm top cover	Tange Integrated w/25mm top cover
Brakes	Tektro Mini-V w/cartridge pads	Tektro Mini-V w/cartridge pads	Tektro Mini-V w/cartridge pads	Tektro Mini-V	Tektro Mini-V
Brake Levers	Tektro 3-finger	Tektro 3-finger	Tektro 3-finger w/Kraton insert	Tektro 3-finger w/Kraton insert	Tektro 3-finger w/Kraton insert
Saddle	Cannondale Quick Ergo High Performance	Cannondale Quick Ergo High Performance	Cannondale Quick Ergo Performance	Cannondale Quick Ergo Performance	Cannondale Quick Ergo Performance
Seatpost	Synapse S.A.V.E. Full Carbon	Synapse S.A.V.E. Full Carbon	Cannondale C2 Carbon-wrapped	Cannondale C3 Alloy	Cannondale C4 Alloy
Sizes	S, M, L, X, J	S, M, L, X, J	S, M, L, X, J	S, M, L, X, J	S, M, L, X, J
Color 1 (code)	Matte UD Carbon (CRB).	Matte UD Carbon (CRB).	Ball Burnished w/Gloss Clearcoat (gloss) (BBS).	Jet Black w/Matte Clearcoat (matte) (BBQ).	Charcoal Grey (gloss) (GRY).
Color 2 (code)	N/A	N/A	N/A	Grey (matte) (GRY).	Brilliant Blue (gloss) (BLU).
Extras	Lock-on grips	Lock-on grips	Ergo Kraton grips	Ergo Kraton grips	Ergo Kraton grips

	QUICK 4 (9QR4)	QUICK 5 (9QR5)	QUICK 6 (9QR6)	QUICK CX ULTRA (OQRXL)	QUICK CX FS (OQRXFS)
Frame	Quick, mech formed, 6061 alloy	Quick, mech formed, 6061 alloy	Quick, mech formed, 6061 alloy	Quick CX, double butted, mech formed, 6061 alloy w/internal disc mount	Quick CX, double butted, mech formed, 6061 alloy w/internal disc mount
Fork	Ultra X All-Conditions Carbon	Cannondale Alloy Straight Blade	TIG-welded Cro-Mo, Straight Blades	HeadShok Fatty Ultra, air sprung DL 80 w/lock out	RST Duece 29, Air sprung 80mm w/lock out
Rims	Cannondale C3 w/machined sidewall, 32 hole	Cannondale C4, Double Wall	Cannondale C4, Double Wall	Maddux DC 3.0	Maddux DC 3.0
Hubs	Shimano HB-RM40 front, FH-RM30 rear	Formula FM-31/32, 32 hole	Formula FM-31/32, 32 hole	Formula DC-20/22, 32 hole	Formula DC-20/22, 32 hole
Spokes	15g stainless steel	Stainless steel, 15g	Stainless steel, 14g	Stainless steel, 15g	Stainless steel, 15g
Tires	Kenda Kwick Trax, 700 X 32c	Kenda Kwick Trax, 700 X 38c	Kenda Kwick Trax, 700 X 38c	Kenda Small block Eight, 700 x 35c, 120 TPI, folding	Kenda Small block Eight, 700 x 35c, 120 TPI, folding
Pedals	VP platform w/sole-friendly alloy cage	FPD resin platform w/Kraton insert	FPD resin platform w/Kraton insert	Wellgo LU C25	Wellgo LU C25
Crank	Shimano FC-M341, 48/38/28	Shimano FC-M151, 24/38/28	Shimano FC-M151, 48/38/28	Shimano M442, 48/38/28	Shimano M361, 48/38/28
Bottom Bracket	TH cartridge	TH cartridge	TH cartridge	Tange cartridge type	Tange cartridge type
Chain	KMC Z72 8-speed	KMC Z72 8-speed	KMC Z51 7-speed	KMC 9-speed	KMC 9-speed
Rear Cogs	Shimano CS-HG40, 11-32	Sunrace M66, 11-32	Sunrace M63, 12-28	Shimano HG-50, 11-32	Sunrace, 11-32
Front Derailleur	Shimano Alivio	SRAM 3.0	Shimano CO51	Shimano Deore	SRAM X-3
Rear Derailleur	SRAM X-5	Shimano Alivio	Shimano Altus	Shimano Deore	SRAM X-5
Shifters	SRAM X-5 trigger, 8 speed	Shimano SL-EF50 EZ-Fire, 8 speed	Shimano SL-EF40 EZ-Fire, 7 speed	Shimano Deore, 9 speed	SRAM X-5, 8 speed
Handlebar	Cannondale C3, 20mm rise, 600mm wide	Cannondale C3, 20mm rise, 600mm wide	Cannondale C3, 20mm rise, 600mm wide	Cannondale C3, 650 x 20mm riser	Cannondale C3, 650 x 20mm riser
Stem	Cannondale XC3 1 1/8", 31.8 mm	Cannondale XC3 1 1/8", 31.8 mm	Cannondale XC3F 1 1/8", 31.8mm	Cannondale XC3	Cannondale XC3
Headset	VP semi-integrated threadless, 30 mm top cover	VP semi-integrated threadless, 30 mm top cover	VP semi-integrated threadless, 30 mm top cover	Cannondale HeadShok Si	Tange Custom
Brakes	Tektro TK-B18 linear pull w/cartridge pad	Lee Chi TX-120 linear pull	Lee Chi TX-120 linear pull	Shimano 486 Disc	Tektro Auriga Comp Hydraulic
Brake Levers	Tektro 3-finger w/Kraton insert	Shimano SL-EF50 EZ-Fire	Shimano SL-EF40 EZ-Fire	Shimano 486 Disc	Tektro Auriga Comp Hydraulic
Saddle	Cannondale Quick Ergo Performance	Cannondale Quick Ergo Comfort	Quick Custom	Quick Custom	Quick Custom
Seatpost	Cannondale C4 Alloy	Cannondale C4	Cannondale C4	Cannondale C3	Cannondale C3
Sizes	S, M, L, X, J	S, M, L, X, J	S, M, L, X, J	S, M, L, X, J	S, M, L, X, J
Color 1 (code)	Patriot Blue (gloss) (BLU).	Titanium Grey (gloss) (GRY).	Fine Silver (gloss) (SLV).	Raw Hi-Bright (gloss) (RAW).	Magnesium White (gloss) (WHT).
Color 2 (code)	Charcoal Grey (gloss) (GRY).	Jet Black (gloss) (BLK).	Vivid Blue (gloss) (BLU).	N/A	N/A
Extras	Montague "CLIX" Front QR, rack mounts	Montague "CLIX" Front QR, rack mounts	Montague "CLIX" Front QR, rack mounts	Cannondale Cityscape Urban Lock-on grips, rack mounts	Cannondale Cityscape Urban Lock-on grips, rack mounts

	QUICK CX RIGID (OQRXR)	BAD BOY SOLO (OBS)	BAD BOY DISC (OBR7D)	BAD BOY (OBR7V)	HOOLIGAN 3 (OHL3)
Frame	Quick CX, double butted, mech formed, 6061 alloy w/internal disc mount	Bad Boy Caffeine, MTB, 6061 alloy	Bad Boy, mech formed, 6061 alloy, Urban 700c	Bad Boy, mech formed, 6061 alloy, Urban 700c	Hooligan Delta V, Urban Compact, 6061 alloy, 20" wheel
Fork	Fatty Rigid Alloy	Fatty Solo DL 50 Urban w/lock-out	Fatty Solo Rigid	Fatty Rigid	Cannondale Solo Rigid
Rims	Maddux DC 3.0	Jalco SR300 Disc	C3 Urban	C3 Urban	Jalco X320 Disc, 20"
Hubs	Formula DC-20/22, 32 hole	Cannondale Lefty SL front, Formula DC22 rear	Lefty SL front, Shimano RM-30 rear	Formula OV31 front, Shimano RM-30 rear	Cannondale Lefty SL front, SRAM I Motion 3 rear
Spokes	Stainless steel, 15g	DT Swiss, 14g	Stainless, 15g	Stainless, 15g	Stainless, 15g
Tires	Kenda Small block Eight, 700 x 35c, 120 TPI, folding	Schwalbe Kojak, 700 X 28c Bad Boy	Schwalbe Kojak, 700 x 28c Bad Boy	Schwalbe Kojak, 700 x 28c Bad Boy	Schwalbe Kojak 1.35" race guard
Pedals	Wellgo LU C25	Wellgo Alloy Cage	Wellgo flat	Wellgo flat	Cannondale New Octopus, Urban
Crank	Shimano M361, 48/38/28	FSA Bad Boy 48/36/26, 9-speed	FSA Bad Boy, 48/36/26	FSA Bad Boy, 48/38/28	FSA Vero Double Bash Guard, RED anodized 42
Bottom Bracket	Tange cartridge type	Tange Sealed Cartridge	Tange cartridge type	Tange cartridge type	Tange cartridge type
Chain	KMC 9-speed	KMC Bad Boy Nano Black	KMC Bad Boy, Nano Black	KMC Bad Boy, Nano Black	KMC Nano Black
Rear Cogs	Sunrace, 11-32	Sunrace Bad Boy, 11-32, 9-speed	Sunrace Bad Boy, 11-32, 9-speed	Sunrace Bad Boy, 11-32, 8-speed	SRAM I Motion IHG 3-speed
Front Derailleur	SRAM X-3	SRAM X-7	Shimano Deore	Shimano Acera	N/A
Rear Derailleur	SRAM X-4	SRAM X-7	Shimano Deore	Shimano Alivio	N/A
Shifters	SRAM X-4, 8 speed	SRAM X-7, 9 speed	Shimano Deore, 9 speed	Shimano Acera, 8 speed	SRAM I Motion, 3 speed
Handlebar	Cannondale C3, 650 x 20mm riser	Cannondale C3, 18 mm rise, 6061AL butted	FSA XC-180 31.8 Flat	FSA XC-180 31.8 Flat	Cannondale C3, 20mm rise, 6061AL butted
Stem	Cannondale C3	Cannondale XC3 HeadShok	Cannondale C3	Cannondale C3	Satori Race Fit Adjustable
Headset	Tange Custom	HeadShok Si	Tange Integrated	Tange Integrated	Tange Integrated
Brakes	Tektro IO mechanical disc	Avid Juicy 3	Tektro Auriga Comp	Tektro V-brake	AVID BB5, Cable Actuated Disc
Brake Levers	Tektro IO mechanical disc	Avid Juicy 3	Tektro Auriga Comp	Avid FR-5	Cannondale 2 finger
Saddle	Quick Custom	Bad Boy Custom	Bad Boy Custom	Bad Boy Custom	Cannondale Custom
Seatpost	Cannondale C4	Cannondale C3	Cannondale C4	Cannondale C4	Cannondale Hooligan
Sizes	S, M, L, X, J	P, S, M, L, X	S, M, L, X	S, M, L, X	One Size
Color 1 (code)	Charcoal Grey (gloss) (GRY).	Charcoal Grey (matte) (BBQ).	Jet Black (matte) (BBQ).	Jet Black (matte) (BBQ).	Jet Black (matte) (BBQ).
Color 2 (code)	N/A	N/A	N/A	N/A	Magnesium White (gloss) (WHT).
Extras	Cannondale Cityscape Urban Lock-on grips, rack mounts	Cannondale Lock On grips	Cannondale Cityscape Urban grips w/lockrings	Cannondale Cityscape Urban grips w/lockrings	Cannondale Cityscape Urban grips w/lockrings

	HOOLIGAN 8 (OHL8)	CAPO 1 (OPR1)	CAPO 2 (OPR2)	ROAD TANDEM 2 (ORT2)	ROAD TANDEM 3 (ORT3)
Frame	Hooligan Delta V, Urban Compact, 6061 alloy, 20" wheel	CAAD5 Track, 6061 alloy	CAAD5 Track, 6061 alloy	CAAD Tandem, mech formed, oversized, 6061 alloy, 700c	CAAD Tandem, mech formed, oversized, 6061 alloy, 700c
Fork	Cannondale Fatty Rigid	Aluminum Aero Low Profile	Aluminum Aero Low Profile	Fatty R Tandem rigid	Fatty R Tandem rigid
Rims	Jalco X320 Disc, 20"	Mavic Ellipse Track Aero	Jalco GX460 High Polish	Sun ME14A w/eyelet and machined sidewall, 40 hole	Sun ME14A w/eyelet and machined sidewall, 40 hole
Hubs	Formula DC 20, disc front, Formula DC 22, disc rear	Mavic Ellipse Track front, Mavic Ellipse Track, flip flop rear	Formula Track front, Formula Track, flip flop rear	White Industries Mi6 Disc	Shimano Tandem, threaded for drum
Spokes	Stainless, 15g	Mavic Ellipse Track Aero, stainless	DT Swiss, 15g	DT Swiss Champion, 14g	DT Swiss Champion, 14g
Tires	Kenda Kwest 1.5"	Vittoria Zaffiro Slick, 700 X 25c	Vittoria Zaffiro Slick, 700 X 25c	Continental Ultra GatorSkin, 700 x 28c	Vittoria Randonneur w/Double Shielding, 700 x 28c
Pedals	Cannondale New Octopus, Urban	Wellgo resin w/Kraton insert	Wellgo resin w/Kraton insert	N/A	N/A
Crank	FSA Tempo Double Bash Guard 42	FSA Vero 46t, JIS BB 170mm	FSA Vero 46t, JIS BB 170mm	FSA Gossamer Tandem, 53/39/30	FSA Gossamer Tandem, 53/39/30
Bottom Bracket	Tange cartridge type	Tange Sealed cartridge	Tange Sealed cartridge	FSA MegaExo	FSA MegaExo
Chain	KMC Z72 8-speed	KMC Nano Black	KMC Nano Black	Shimano 105, 115, KMC 8-speed timing	Shimano 9-speed drive, KMC 8-speed timing
Rear Cogs	Sunrace, 11-28, 8-speed	Shimano 18t freewheel	Shimano 18t freewheel	IRD 10-speed, 11-32	Shimano CS-HG50, 11-34
Front Derailleur	N/A	N/A	N/A	Shimano Ultegra Triple	Shimano Ultegra Triple
Rear Derailleur	Shimano 2300, 8-speed	N/A	N/A	Shimano Ultegra Triple	Shimano LX
Shifters	Shimano M410 Alivio, trigger, 8 speed	N/A	N/A	Shimano Ultegra, 10 speed	Shimano Tiagra, 9 speed
Handlebar	Cannondale C3, 20mm rise, 6061AL butted	Cinelli Pista, Cro-Mo Black	Cannondale C3, 20mm rise, 6061AL butted	FSA Gossamer, 31.8mm front, Stoker rear	Cannondale C3, 31.8mm front, Stoker rear
Stem	Satori Race Fit Adjustable	Cinelli Pista, Alloy Black	Cannondale C3 road	Cannondale C3 front, 31.8mm Stoker rear	Cannondale C4 front, 31.8mm Stoker rear
Headset	Tange Integrated	Tange Integrated	Tange Integrated	Tange Integrated	Tange Integrated
Brakes	Tektro IO Cable Actuated Disc	Tektro R520, black w/cartridge pad	Tektro R520, black w/cartridge pad	Avid BB7 Road Disc	Cannondale Fire w/cartridge pad, Travel Agents
Brake Levers	Cannondale 2 finger	Cannondale 2 finger	Cannondale 2 finger	Shimano Ultegra	Shimano Tiagra
Saddle	Cannondale Custom	Cinelli Unicantor Plastic, Urban Type	Cinelli Unicantor Plastic, Urban Type	Fizi:k Aliante Delta Mg	Selle Royal Viper
Seatpost	Cannondale Hooligan	Cinelli Vai, 27.2mm	Cannondale C3, 27.2mm	Thomson Elite	Cannondale C4 Alloy, Thomson Elite
Sizes	One Size	48, 50, 52, 54, 56, 58, 60, 63cm	48, 50, 52, 54, 56, 58, 60, 63cm	MS, LS, XS, JM	MS, LS, XS, JM
Color 1 (code)	Magnesium White (gloss) (WHT).	Ball Burnished (gloss) (BBS).	Jet Black (gloss) (BLK).	Lightning White (gloss) (WHT).	Jet Black (gloss) (BLK).
Color 2 (code)	N/A	N/A	N/A	N/A	Mediterranean Blue (gloss) (MED).
Extras	Cannondale Cityscape Urban grips w/lockrings				

	QUICK CX RIGID (OQRXR)	BAD BOY SOLO (OBS)	BAD BOY DISC (OBR7D)	BAD BOY (OBR7V)	HOOLIGAN 3 (OHL3)
Frame	Quick CX, double butted, mech formed, 6061 alloy w/internal disc mount	Bad Boy Caffeine, MTB, 6061 alloy	Bad Boy, mech formed, 6061 alloy, Urban 700c	Bad Boy, mech formed, 6061 alloy, Urban 700c	Hooligan Delta V, Urban Compact, 6061 alloy, 20" wheel
Fork	Fatty Rigid Alloy	Fatty Solo DL 50 Urban w/lock-out	Fatty Solo Rigid	Fatty Rigid	Cannondale Solo Rigid
Rims	Maddux DC 3.0	Jalco SR300 Disc	C3 Urban	C3 Urban	Jalco X320 Disc, 20"
Hubs	Formula DC-20/22, 32 hole	Cannondale Lefty SL front, Formula DC22 rear	Lefty SL front, Shimano RM-30 rear	Formula OV31 front, Shimano RM-30 rear	Cannondale Lefty SL front, SRAM I Motion 3 rear
Spokes	Stainless steel, 15g	DT Swiss, 14g	Stainless, 15g	Stainless, 15g	Stainless, 15g
Tires	Kenda Small block Eight, 700 x 35c, 120 TPI, folding	Schwalbe Kojak, 700 X 28c Bad Boy	Schwalbe Kojak, 700 x 28c Bad Boy	Schwalbe Kojak, 700 x 28c Bad Boy	Schwalbe Kojak 1.35" race guard
Pedals	Wellgo LU C25	Wellgo Alloy Cage	Wellgo flat	Wellgo flat	Cannondale New Octopus, Urban
Crank	Shimano M361, 48/38/28	FSA Bad Boy 48/36/26, 9-speed	FSA Bad Boy, 48/36/26	FSA Bad Boy, 48/38/28	FSA Vero Double Bash Guard, RED anodized 42
Bottom Bracket	Tange cartridge type	Tange Sealed Cartridge	Tange cartridge type	Tange cartridge type	Tange cartridge type
Chain	KMC 9-speed	KMC Bad Boy Nano Black	KMC Bad Boy, Nano Black	KMC Bad Boy, Nano Black	KMC Nano Black
Rear Cogs	Sunrace, 11-32	Sunrace Bad Boy, 11-32, 9-speed	Sunrace Bad Boy, 11-32, 9-speed	Sunrace Bad Boy, 11-32, 8-speed	SRAM I Motion IHG 3-speed
Front Derailleur	SRAM X-3	SRAM X-7	Shimano Deore	Shimano Acera	N/A
Rear Derailleur	SRAM X-4	SRAM X-7	Shimano Deore	Shimano Alivio	N/A
Shifters	SRAM X-4, 8 speed	SRAM X-7, 9 speed	Shimano Deore, 9 speed	Shimano Acera, 8 speed	SRAM I Motion, 3 speed
Handlebar	Cannondale C3, 650 x 20mm riser	Cannondale C3, 18 mm rise, 6061AL butted	FSA XC-180 31.8 Flat	FSA XC-180 31.8 Flat	Cannondale C3, 20mm rise, 6061AL butted
Stem	Cannondale C3	Cannondale XC3 HeadShok	Cannondale C3	Cannondale C3	Satori Race Fit Adjustable
Headset	Tange Custom	HeadShok Si	Tange Integrated	Tange Integrated	Tange Integrated
Brakes	Tektro IO mechanical disc	Avid Juicy 3	Tektro Auriga Comp	Tektro V-brake	AVID BB5, Cable Actuated Disc
Brake Levers	Tektro IO mechanical disc	Avid Juicy 3	Tektro Auriga Comp	Avid FR-5	Cannondale 2 finger
Saddle	Quick Custom	Bad Boy Custom	Bad Boy Custom	Bad Boy Custom	Cannondale Custom
Seatpost	Cannondale C4	Cannondale C3	Cannondale C4	Cannondale C4	Cannondale Hooligan
Sizes	S, M, L, X, J	P, S, M, L, X	S, M, L, X	S, M, L, X	One Size
Color 1 (code)	Charcoal Grey (gloss) (GRY).	Charcoal Grey (matte) (BBQ).	Jet Black (matte) (BBQ).	Jet Black (matte) (BBQ).	Jet Black (matte) (BBQ).
Color 2 (

	STREET TANDEM (9ST)
Frame	CAAD Tandem, mech formed, oversized, 6061 alloy, 26"
Fork	Fatty R Tandem rigid
Rims	Sun Rhyno Lite w/eyelet and machined sidewall, 40 hole
Hubs	Shimano Tandem, threaded for drum
Spokes	DT Swiss Champion, 14g
Tires	Continental Town&Country, wire, 26 x 2.1"
Pedals	Wellgo resin platform w/Kraton insert
Crank	Truvativ 5D Tandem, 48/38/28
Bottom Bracket	Shimano BB-UN26
Chain	KMC 8-speed
Rear Cogs	Sunrace M63, 11-32, 8-speed
Front Derailleur	Shimano Alivio
Rear Derailleur	SRAM X-5
Shifters	SRAM X-4 trigger
Handlebar	Cannondale C3, 20mm rise front, Cannondale C2, flat rear
Stem	Cannondale C4 front, Stoker rear
Headset	Tange Integrated
Brakes	Cannondale Fire w/cartridge pad
Brake Levers	Cannondale Fire
Saddle	Selle Royal RVL front, Selle Royal Women's RVL rear
Seatpost	Cannondale C4 Alloy
Sizes	MS, LS, XS, JM
Color 1 (code)	Vintage Moss (gloss) (GRN).
Color 2 (code)	Jet Black (matte) (BBQ).
Extras	

	TOURING 1 (9TR1)
Frame	CAAD Touring, 6061 alloy
Fork	Fatty R All-Conditions
Rims	Mavic A719 w/eyelet and machined sidewall, 36 hole
Hubs	Shimano LX
Spokes	DT Swiss Competition, 14/15g
Tires	Schwalbe Marathon Racer w/RaceGuard belt, 700 x 32c, Reflective
Pedals	N/A
Crank	Shimano 105 Triple, 30/39/50
Bottom Bracket	Shimano 105
Chain	Shimano 105
Rear Cogs	IRD 10-speed, 11-32
Front Derailleur	Shimano 105 Triple
Rear Derailleur	Shimano Ultegra Triple
Shifters	Shimano Ultegra
Handlebar	Cannondale C3, 31.8mm
Stem	Cannondale C4, 17 degree rise
Headset	Cane Creek S-1
Brakes	Tektro Oryx cantilever w/cartridge pad
Brake Levers	Shimano Ultegra
Saddle	Selle An-Atomica Titanico LD Watershed Clydesdale, Golden color
Seatpost	Cannondale C3 2014 Alloy
Sizes	S, M, L, X, J
Color 1 (code)	Lightning White (gloss) (WHT).
Color 2 (code)	N/A
Extras	Rear Rack

	TOURING 2 (9TR2)
Frame	CAAD Touring, 6061 alloy
Fork	TIG-welded chromoly
Rims	Mavic A119 w/eyelet and machined sidewall, 36 hole
Hubs	Shimano LX
Spokes	DT Swiss Champion, 14g
Tires	Schwalbe Marathon Racer w/RaceGuard belt, 700 x 32c, Reflective
Pedals	Wellgo alloy cage w/clip and strap
Crank	Shimano FC-M443, 26/36/48
Bottom Bracket	Shimano Octalink BB-ES25
Chain	Shimano 9-speed
Rear Cogs	Shimano CS-HG50, 11-34
Front Derailleur	Shimano Tiagra Triple
Rear Derailleur	Shimano LX
Shifters	Shimano Tiagra
Handlebar	Cannondale C3, 31.8mm
Stem	Cannondale C4, 17 degree rise
Headset	VP-A05AC, sealed cartridge bearings
Brakes	Cannondale V Brake, w/modulator
Brake Levers	Shimano Tiagra
Saddle	Fiz'k Rondine Mg
Seatpost	Cannondale C3 2014 Alloy
Sizes	S, M, L, X, J
Color 1 (code)	Jungle Green (gloss) (GRN).
Color 2 (code)	N/A
Extras	Rear Rack

	ADVENTURE 2 (0AS2)
Frame	Adventure, mech formed, 6061 alloy
Fork	Adventure Trail Si suspension, 35mm
Rims	Cannondale C3, double wall, CNC machined
Hubs	Shimano RM40 front, Shimano Nexus Premium 8-speed internal rear
Spokes	Stainless, 15g
Tires	Kenda Kwick Trax, 700 x 38c
Pedals	FPD Resin, Kraton Insert
Crank	FSA Single Ring, 38
Bottom Bracket	Tange Cartridge Type
Chain	KMC 8-speed
Rear Cogs	N/A
Front Derailleur	N/A
Rear Derailleur	N/A
Shifters	Shimano Nexus Twist type
Handlebar	Cannondale C3, 50mm rise
Stem	Satori Up, adjustable, 110mm
Headset	FSA Semi Integrated
Brakes	Cannondale V Brake, w/modulator
Brake Levers	Shimano Nexus, 4 finger
Saddle	Cannondale Ultra Comfort
Seatpost	Cannondale Suspension, 40mm travel
Sizes	S, M, L, X, J
Color 1 (code)	Cadet Blue (matte) (BLU).
Color 2 (code)	Touring Green (gloss) (GRN).
Extras	Cannondale Ergo Lock-On grips, CLIX Front QR Skewer, rack mounts

	ADVENTURE 3 (0AS3)
Frame	Adventure, mech formed, 6061 alloy
Fork	Adventure Trail Si suspension, 35mm
Rims	Cannondale C3, double wall, CNC machined
Hubs	Shimano RM40 front, Shimano RM30 rear
Spokes	Stainless, 15g
Tires	Kenda Kwick Trax, 700 x 38c
Pedals	FPD Resin, Kraton Insert
Crank	Shimano M361 48/38/28
Bottom Bracket	Tange Cartridge Type
Chain	KMC 8-speed
Rear Cogs	SRAM PG-830, 11-32, 8-speed
Front Derailleur	SRAM X-4
Rear Derailleur	SRAM X-7
Shifters	SRAM SX5 Twist type
Handlebar	Cannondale C3, 50mm rise
Stem	Satori Up, adjustable, 110mm
Headset	FSA Semi Integrated
Brakes	Cannondale V Brake, w/modulator
Brake Levers	Cannondale, 4 finger w/Kraton comfort insert
Saddle	Cannondale Ultra Comfort
Seatpost	Cannondale Suspension, 40mm travel
Sizes	S, M, L, X, J
Color 1 (code)	Jet Black (gloss) (BLK).
Color 2 (code)	Velvet Red (gloss) (RED).
Extras	Cannondale Ergo Kraton grips, CLIX Front QR Skewer, rack mounts

	SYNAPSE CARBON FÉMININE 3 (ORWC3C)
Frame	Synapse Carbon Féminine, S.A.V.E., BB30
Fork	Synapse monocoque full carbon, S.A.V.E.
Rims	Shimano RS80 Carbon Clincher
Hubs	Shimano RS80 Carbon Clincher
Spokes	Shimano RS80 Carbon Clincher
Tires	Schwalbe Ultrero DD, 700 x 25c, foldable
Pedals	N/A
Crank	FSA SL-K Carbon Light BB30 Compact, 50/34
Crank Option	N/A
Bottom Bracket	FSA BB30
Chain	KMC DX-10SC with missing link
Rear Cogs	SRAM OG-1070, 12-26
Front Derailleur	Shimano Ultegra 6700
Rear Derailleur	Shimano Ultegra 6700
Shifters	Shimano Ultegra 6700, reach adjust
Handlebar	3T Ergonova Pro
Stem	3T ARX Pro, 31.8
Headset	Tange Carbon Integrated w/25mm top cover
Brakes	Shimano Ultegra 6700
Brake Levers	Shimano Ultegra w/reach adjust
Saddle	Prologo Kappa Dea, ProT 2.0 Rails
Seatpost	Synapse S.A.V.E. Full Carbon
Sizes	44, 48, 51, 54cm
Color 1 (code)	Fine Silver, Magnesium White (gloss) (SLV).
Color 2 (code)	N/A

	SYNAPSE CARBON FÉMININE 4 (ORWC4C)
Frame	Synapse Carbon Féminine, S.A.V.E., BB30
Fork	Synapse monocoque full carbon, S.A.V.E.
Rims	Mavic Aksium Race
Hubs	Mavic Aksium Race
Spokes	Mavic Aksium Race
Tires	Vittoria Diamante Pro, 700 x 25c, foldable
Pedals	N/A
Crank	FSA Gossamer BB30 Compact, 50/34
Crank Option	N/A
Bottom Bracket	FSA BB30
Chain	KMC DX-10SC with missing link
Rear Cogs	SRAM OG-1070, 12-26
Front Derailleur	SRAM Rival
Rear Derailleur	SRAM Rival
Shifters	SRAM Rival w/Carbon levers, reach adjust
Handlebar	3T Ergonova Pro
Stem	3T ARX Pro, 31.8
Headset	Tange Integrated w/25mm top cover
Brakes	Tektro R580 w/cartridge pads
Brake Levers	SRAM Rival w/Carbon levers w/reach adjust
Saddle	Prologo Kappa Dea, ProT 2.0 Rails
Seatpost	Synapse S.A.V.E. Full Carbon
Sizes	44, 48, 51, 54cm
Color 1 (code)	Turquoise, Magnesium White (gloss) (BLU).
Color 2 (code)	Charcoal Grey, Fine Silver (gloss) (GRY).

	SYNAPSE CARBON FÉMININE 5 (ORWC5C, ORWC5T)
Frame	Synapse Carbon Féminine, S.A.V.E., BB30
Fork	Synapse monocoque full carbon, S.A.V.E.
Rims	Shimano RS10
Hubs	Shimano RS10
Spokes	Shimano RS10
Tires	Vittoria Zaffiro Pro Slick, 700 x 25c, foldable
Pedals	N/A
Crank	FSA Gossamer BB30 Compact, 50/34
Crank Option	N/A
Bottom Bracket	FSA BB30
Chain	KMC DX-10SC with missing link
Rear Cogs	SRAM OG-1070, 12-26
Front Derailleur	Shimano 105
Rear Derailleur	Shimano 105
Shifters	Shimano 10-speed, ST-R700, reach adjust
Handlebar	Cannondale C2 Féminine, Al-7050, Butted
Stem	Cannondale C3, 31.8
Headset	Tange Integrated w/25mm top cover
Brakes	Tektro R580 w/cartridge pads
Brake Levers	Shimano 10-speed, ST-R700 w/reach adjust
Saddle	Prologo Kappa Dea, ProT 2.0 Rails
Seatpost	Synapse S.A.V.E. Full Carbon
Sizes	44, 48, 51, 54cm
Color 1 (code)	Ruby Red, Magnesium White (gloss) (RED).
Color 2 (code)	Charcoal Grey, Fine Silver (gloss) (GRY).

	SYNAPSE CARBON FÉMININE 6 (ORWC6C, ORWC6T)
Frame	Synapse Carbon Féminine, S.A.V.E., BB30
Fork	Synapse S.A.V.E. carbon blades
Rims	Maddux R3.0 SL
Hubs	Formula RB51, 24 hole front, Formula RB52, 28 hole rear
Spokes	DT Swiss Champion
Tires	Vittoria Zaffiro Pro Slick, 700 x 25c, foldable
Pedals	N/A
Crank	Shimano Tiagra Compact, 50/39
Crank Option	Shimano Tiagra Triple 50/39/30
Bottom Bracket	Shimano Tiagra
Chain	KMC X9 with missing link
Rear Cogs	SRAM PG-950, 12-26
Front Derailleur	Shimano Sora
Rear Derailleur	Shimano Tiagra
Shifters	Shimano Tiagra
Handlebar	Cannondale C3 Féminine Al-6061 Butted
Stem	Cannondale C3, 31.8
Headset	Tange Integrated w/25mm top cover
Brakes	Shimano Tiagra
Brake Levers	Shimano Tiagra
Saddle	Cannondale Raven Féminine, Cro-Mo Rails
Seatpost	Synapse S.A.V.E. Full Carbon
Sizes	44, 48, 51, 54cm
Color 1 (code)	Magnesium White, Jet Black (gloss) (WHT).
Color 2 (code)	Egyptian Blue, Magnesium White (gloss) (BLU).

	SYNAPSE FÉMININE 5 (ORWAS5C, ORWAS5T)
Frame	Synapse Féminine, S.A.V.E., 6061 alloy
Fork	Synapse S.A.V.E. carbon blades
Rims	Shimano RS10
Hubs	Shimano RS10
Spokes	Shimano RS10
Tires	Vittoria Zaffiro Pro Slick, 700 x 25c, foldable
Pedals	N/A
Crank	FSA Gossamer MegaExo Compact, 50/34
Crank Option	FSA Gossamer MegaExo Triple, 52/39/30
Bottom Bracket	FSA Mega EXO
Chain	KMC DX-10SC with missing link
Rear Cogs	SRAM OG-1070, 12-26
Front Derailleur	Shimano 105
Rear Derailleur	Shimano 105
Shifters	Shimano 10-speed, ST-R700, reach adjust
Handlebar	Cannondale C2 Féminine, Al-7050 Butted
Stem	Cannondale C3, 31.8
Headset	Tange Integrated w/25mm top cover
Brakes	Tektro R538 long reach w/cartridge pads
Brake Levers	Shimano 10-speed, ST-R700 w/reach adjust
Saddle	Cannondale Raven Féminine, Cro-Mo Rails
Seatpost	Cannondale C2 Carbon-wrapped 27.2mm
Sizes	44, 48, 51, 54cm
Color 1 (code)	Egyptian Blue (gloss) (BLU).
Color 2 (code)	Magnesium White Pearl (gloss) (WHT).

	ADVENTURE 4 (0AS4)
Frame	Adventure, mech formed, 6061 alloy
Fork	Spinner Tridium AC 50mm Travel
Rims	Cannondale C3, double wall, CNC machined
Hubs	Formula FM21/32
Spokes	Stainless, 15g
Tires	Kenda Kwick Trax, 700 x 38c
Pedals	FPD Resin, Kraton Insert
Crank	Shimano M191 48/38/28
Bottom Bracket	Tange Cartridge Type
Chain	KMC 8-speed
Rear Cogs	SRAM PG-830, 11-32, 8-speed
Front Derailleur	SRAM 3.0
Rear Derailleur	SRAM X-5
Shifters	SRAM SX4 Twist type
Handlebar	Cannondale C3, 50mm rise
Stem	Cannondale, adjustable
Headset	FSA Semi Integrated
Brakes	Cannondale V Brake, w/modulator
Brake Levers	Cannondale, 4 finger w/Kraton comfort insert
Saddle	Cannondale Ultra Comfort
Seatpost	Cannondale Suspension, 40mm travel
Sizes	S, M, L, X, J
Color 1 (code)	Danish Sand Castle Grey (matte) (GRY).
Color 2 (code)	Nu Team Blue (gloss) (BLU).
Extras	Cannondale Ergo Kraton grips, CLIX Front QR Skewer, rack mounts

	ADVENTURE 5 (0AS5)
Frame	Adventure, mech formed, 6061 alloy
Fork	Spinner Tridium AC 50mm Travel
Rims	Cannondale C4, double wall
Hubs	Formula FM21/32
Spokes	Stainless, 15g
Tires	Kenda Kwick Trax, 700 x 38c
Pedals	FPD Resin, Kraton Insert
Crank	Shimano M151 48/38/28
Bottom Bracket	Tange Cartridge Type
Chain	KMC 8-speed
Rear Cogs	Sunrace 12-32, 8-speed
Front Derailleur	SRAM 3.0
Rear Derailleur	Shimano Alivio
Shifters	Shimano Revo Twist type
Handlebar	Cannondale C3, 50mm rise
Stem	Cannondale, adjustable
Headset	FSA Semi Integrated
Brakes	Cannondale V Brake, w/modulator
Brake Levers	Cannondale, 4 finger w/Kraton comfort insert
Saddle	Cannondale Ultra Comfort
Seatpost	Cannondale Suspension, 40mm travel
Sizes	S, M, L, X, J
Color 1 (code)	Velvet Red (gloss) (BLK).
Color 2 (code)	Magnesium White (gloss) (WHT).
Extras	Cannondale Ergo Kraton grips, CLIX Front QR, rack mounts

	COMFORT 4 (0CS4)
Frame	Comfort, mech formed, 6061 alloy, relaxed geometry
Fork	Spinner Tridium CR w/preload adjust, 63 mm travel
Rims	Cannondale C3 w/machined sidewall
Hubs	Formula FM-31/FM-32
Spokes	Stainless, 14g
Tires	Kenda NPJ signature, 26 x 1.25"
Pedals	FPD resin w/Kraton insert
Crank	Shimano FC-M191, 48/38/28
Bottom Bracket	TH cartridge
Chain	KMC 8-speed
Rear Cogs	Shimano CS-HG40, 12-32
Front Derailleur	SRAM 3.0
Rear Derailleur	SRAM X-5
Shifters	SRAM SX4 Twist type
Handlebar	Cannondale C3, 50 mm rise
Stem	Cannondale, adjustable
Headset	Semi-integrated cartridge, threaded
Brakes	Cannondale V Brake, w/modulator
Brake Levers	Cannondale, 4 finger w/Kraton comfort insert
Saddle	Cannondale Ultra Comfort
Seatpost	Cannondale Suspension, 40mm travel
Sizes	S, M, L, X, J
Color 1 (

	CAADB FÉMININE 6 (ORWB6T)
Frame	CAADB S Féminine, double butted, 6061 alloy
Fork	Slice Ultra Carbon blades
Rear Shock	N/A
Rims	Maddux R3.0
Hubs	Formula RB-51, 24 hole front, Formula RB-52, 28 hole rear
Spokes	Stainless Steel, 15g
Tires	Vittoria Zaffiro, 700 x 25c
Pedals	N/A
Crank	Shimano Sora Triple, 50/39/30
Bottom Bracket	Shimano Sora
Chain	KMC 9-speed with missing link
Rear Cogs	SRAM PG-950, 12-26
Front Derailleur	Shimano Sora
Rear Derailleur	Shimano Tiagra
Shifters	Shimano Tiagra
Handlebar	Cannondale C4 Féminine, Al-6061
Stem	Cannondale C4
Headset	Tange integrated w/25mm top cover
Brakes	Cannondale C4 w/cartridge pads
Brake Levers	Shimano Tiagra
Saddle	Cannondale Raven Féminine
Seatpost	Cannondale C3 Carbon-wrapped 31.6mm
Sizes	44, 48, 51, 54cm
Color 1 (code)	Mediterranean Blue (gloss) (MED).
Color 2 (code)	Magnesium White (gloss) (WHT).
Extras	

	CAADB FÉMININE 8 (ORWB8T)
Frame	CAADB S Féminine, double butted, 6061 alloy
Fork	Slice Ultra Carbon blades
Rear Shock	N/A
Rims	Maddux R3.0
Hubs	Formula RB-52, 28 hole
Spokes	Stainless Steel, 15g
Tires	Vittoria Zaffiro, 700 x 25c
Pedals	N/A
Crank	FSA Tempo, 52/42/30
Bottom Bracket	FSA cartridge type
Chain	KMC 8-speed with missing link
Rear Cogs	SRAM PG-850, 12-26
Front Derailleur	Shimano 2300
Rear Derailleur	Shimano 2300
Shifters	Shimano 2300
Handlebar	Cannondale C4 Féminine, Al-6061
Stem	Cannondale C4
Headset	Tange integrated w/25mm top cover
Brakes	Cannondale C4 w/cartridge pads
Brake Levers	Shimano 2300
Saddle	Cannondale Raven Féminine
Seatpost	Cannondale C3 Carbon-wrapped 31.6mm
Sizes	44, 48, 51, 54cm
Color 1 (code)	Fine Silver (gloss) (SLV).
Color 2 (code)	Jet Black (gloss) (BLK).
Extras	

	SCALPEL FÉMININE 1 (OVPW1)
Frame	Scalpel Féminine w/Zero Pivot carbon stays, Si BB30, 100mm
Fork	Lefty Speed Carbon w/DLR SL, 110 mm
Rear Shock	N/A
Rims	DT Swiss XCR 1.5
Hubs	Lefty SL, 24 hole front, DT Swiss 340, 24 hole rear
Spokes	DT Swiss Revolution
Tires	Schwalbe Racing Ralph EVO, 26 x 2.2", foldable
Pedals	N/A
Crank	FSA Afterburner BB30 w/Carbon Spider, 44/32/22
Bottom Bracket	FSA BB30
Chain	KMC X9 CP 9-speed
Rear Cogs	SRAM PG-990, 11-34 Pinkslip
Front Derailleur	SRAM X-9
Rear Derailleur	SRAM X-0 Pinkslip
Shifters	SRAM X-0 Pinkslip
Handlebar	FSA XC-180 Flat, 580mm
Stem	Cannondale XC3 Stem/Steerer
Headset	Cannondale HeadShok Si
Brakes	Avid Elixir R, 160/160mm
Brake Levers	Avid Elixir R
Saddle	Prologo Kappa Dea Pro T2.0
Seatpost	FSA FR-270, 27.2mm
Sizes	P, S, M
Color 1 (code)	Ball Burnished (gloss) (BBS).
Color 2 (code)	N/A
Extras	Cannondale Morse Alloy Locking grips

	SCALPEL FÉMININE 2 (OVPW2)
Frame	Scalpel Féminine w/Zero Pivot carbon stays, Si BB30, 100mm
Fork	Lefty Speed w/DLR, 110 mm
Rear Shock	RockShox Monarch 2.1
Rims	Maddux DC 3.0 Double wall with eyelet, disc specific
Hubs	Lefty SL, 24 hole front, Formula DC22, 28 hole rear
Spokes	DT Swiss Revolution
Tires	Schwalbe Racing Ralph EVO, 26 x 2.2", foldable
Pedals	N/A
Crank	Truvativ FireX 3.2, 44/24/22
Bottom Bracket	Truvativ GigaX
Chain	KMC X9 9-speed
Rear Cogs	SRAM PG-970, 11-34
Front Derailleur	SRAM X-7
Rear Derailleur	SRAM X-7
Shifters	SRAM X-7
Handlebar	Cannondale C2 Flat, 580mm
Stem	Cannondale XC3 Stem/Steerer
Headset	Cannondale HeadShok Si
Brakes	Hayes Stroker Ryde, 160/160mm
Brake Levers	Hayes Stroker Ryde
Saddle	Prologo Kappa Dea Pro T2.0
Seatpost	Cannondale C2, 27.2mm
Sizes	P, S, M
Color 1 (code)	Magnesium White, Turquoise (gloss) (WHT).
Color 2 (code)	N/A
Extras	Cannondale Morse Alloy Locking grips

	RZ ONE TWENTY FÉMININE 2 (OVLW2)
Frame	RZ One Twenty Féminine, Si BB30, 120mm
Fork	Lefty Ultra w/PBR, 120mm
Rear Shock	Fox Float RP2
Rims	DT Swiss XCR 1.7
Hubs	Lefty SL 24 hole front, DT Swiss 280, 28 hole rear
Spokes	DT Swiss Competition
Tires	Schwalbe Rocket Ron EVO, 26 x 2.25", foldable
Pedals	Crank Brothers Candy
Crank	FSA V-Drive BB30, 44/32/22
Bottom Bracket	FSA BB30
Chain	KMC X9 9-speed
Rear Cogs	SRAM PG-950, 11-34
Front Derailleur	SRAM X-7
Rear Derailleur	SRAM X-9
Shifters	SRAM X-7
Handlebar	FSA XC-280, 620 x 18mm riser
Stem	Cannondale HeadShok Si
Headset	Cannondale HeadShok
Brakes	Hayes Stroker Trail, 160/160mm
Brake Levers	Hayes Stroker Trail
Saddle	Cannondale Raven, Cro-mo rails
Seatpost	Cannondale C2, 31.6mm
Sizes	P, S, M
Color 1 (code)	Jet Black, Purple Rain (gloss) (PUR).
Color 2 (code)	Turquoise, Magnesium White (gloss) (WHT).
Extras	Cannondale Morse Alloy Locking grips

	F9 FÉMININE (OFSW9)
Frame	CO2 Féminine, 6061 butted
Fork	RST Gila T with softer spring, 80mm
Rims	Maddux EC 5.0 Double wall
Hubs	Formula FM31/32, 28 hole
Spokes	Stainless steel, 15g
Tires	Kenda Small Block 8, 26 x 2.1"
Pedals	Platform Resin body with steel cage
Crank	Shimano M311, 42/32/22
Crank Option	N/A
Bottom Bracket	Tange cartridge type
Chain	KMC 8-speed
Rear Cogs	Sunrace M56, 11-32
Front Derailleur	Shimano M311
Rear Derailleur	Shimano Acera
Shifters	Shimano ST-EF50, EZ FIRE
Handlebar	Cannondale C4, 600 x 30mm riser
Stem	Cannondale C4
Headset	Tange ER2 Slim Stack
Brakes	Tektro 836 V-brake
Brake Levers	Shimano ST-EF50
Saddle	Cannondale C3 Féminine w/Airflow
Seatpost	Cannondale C4, 31.6mm
Sizes	P, S, M
Color 1 (code)	Jet Black, Purple Rain (gloss) (PUR).
Color 2 (code)	Turquoise, Magnesium White (gloss) (WHT).
Extras	Cannondale Morse grips

	F9 FÉMININE (OFSW9)
Frame	CO2 Féminine, 6061 butted
Fork	RST Gila T with softer spring, 80mm
Rims	Maddux EC 5.0 Double wall
Hubs	Formula FM31/32, 28 hole
Spokes	Stainless steel, 15g
Tires	Kenda Small Block 8, 26 x 2.1"
Pedals	Platform Resin body with steel cage
Crank	Shimano M311, 42/32/22
Crank Option	N/A
Bottom Bracket	Tange cartridge type
Chain	KMC 8-speed
Rear Cogs	Sunrace M56, 11-32
Front Derailleur	Shimano M311
Rear Derailleur	Shimano Acera
Shifters	Shimano ST-EF50, EZ FIRE
Handlebar	Cannondale C4, 600 x 30mm riser
Stem	Cannondale C4
Headset	Tange ER2 Slim Stack
Brakes	Tektro 836 V-brake
Brake Levers	Shimano ST-EF50
Saddle	Cannondale C3 Féminine w/Airflow
Seatpost	Cannondale C4, 31.6mm
Sizes	P, S, M
Color 1 (code)	Jet Black, Purple Rain (gloss) (PUR).
Color 2 (code)	Turquoise, Magnesium White (gloss) (WHT).
Extras	Cannondale Morse grips

	QUICK CARBON FÉMININE 1 (OQRWC1C)
Frame	Quick, Full Carbon, BB30 Si
Fork	Quick, Full Carbon, Si
Rims	Formula XERO Element CXR
Hubs	Formula XERO Element CXR
Spokes	Formula XERO Element CXR
Tires	Kenda Kwick Roller Sport, 700 X 28c
Pedals	Wellgo alloy cage
Crank	FSA SLK BB30 Compact MegaExo, 50/34
Crank Option	N/A
Bottom Bracket	BB30
Chain	KMC 10-speed
Rear Cogs	SRAM OG-1070, 12-27
Front Derailleur	Shimano 105 Braze on
Rear Derailleur	Shimano Ultegra 6700
Shifters	Shimano SL-R770
Handlebar	Cannondale C3, 20mm rise, 580 mm wide
Stem	Cannondale C3 1 1/8", 31.8mm
Headset	Tange Integrated w/25mm top cover
Brakes	Tektro Mini-V w/cartridge pads
Brake Levers	Tektro 3-finger
Saddle	Cannondale Quick Féminine Ergo High Performance
Seatpost	Synapse S.A.V.E. Full Carbon
Sizes	S, M
Color 1 (code)	Matte UD Carbon (CRB).
Color 2 (code)	N/A
Extras	Lock-on grips

	QUICK CARBON FÉMININE 2 (OQRWC2C, OQRWC2T)
Frame	Quick, Full Carbon, BB30 Si
Fork	Quick, Full Carbon, Si
Rims	Formula XERO Element CXR
Hubs	Formula XERO Element CXR
Spokes	Formula XERO Element CXR
Tires	Kenda Kwick Roller Sport, 700 X 28c
Pedals	Wellgo alloy cage
Crank	FSA Gossamer BB30 Compact, 50/34
Crank Option	FSA Gossamer BB30 Triple, 52/39/30
Bottom Bracket	BB30
Chain	KMC 10-speed
Rear Cogs	SRAM OG-1070, 12-27
Front Derailleur	Shimano 105 Braze on
Rear Derailleur	Shimano 105 Black SS/GS
Shifters	Shimano SL-R770
Handlebar	Cannondale C3, 20mm rise, 580 mm wide
Stem	Cannondale C3 1 1/8", 31.8mm
Headset	Tange Integrated w/25mm top cover
Brakes	Tektro Mini-V w/cartridge pads
Brake Levers	Tektro 3-finger
Saddle	Cannondale Quick Féminine Ergo High Performance
Seatpost	Synapse S.A.V.E. Full Carbon
Sizes	S, M
Color 1 (code)	Matte UD Carbon (CRB).
Color 2 (code)	N/A
Extras	Lock-on grips

	QUICK FÉMININE 1 (OQRW1)
Frame	Quick Féminine, Hydroformed 6061 alloy
Fork	Ultra X All-Conditions Carbon
Rims	Mavic Aksium Race
Hubs	Mavic Aksium Race
Spokes	Mavic Aksium Race
Tires	Kenda Kwick Roller Sport, 700 X 32c
Pedals	VP platform w/sole-friendly alloy cage
Crank	FSA Gossamer Compact MegaExo, 34/50
Crank Option	N/A
Bottom Bracket	FSA Omega MegaExo
Chain	KMC 10-speed
Rear Cogs	SRAM OG-1070, 11-28
Front Derailleur	Shimano FD-R770
Rear Derailleur	Shimano Ultegra SL double
Shifters	Shimano SL-R770
Handlebar	Cannondale C3, 20mm rise, 600mm wide
Stem	Cannondale C3 1 1/8", 31.8mm
Headset	Integrated
Brakes	Tektro Mini-V w/cartridge pads
Brake Levers	Tektro 3-finger w/Kraton insert
Saddle	Cannondale Quick Ergo Performance Féminine
Seatpost	Cannondale C2 Carbon-wrapped
Sizes	S, M
Color 1 (code)	Ball Burnished w/gloss clearcoat (matte) (BBQ).
Color 2 (code)	N/A
Extras	Ergo Kraton grips

	QUICK FÉMININE 2 (OQRW2)
Frame	Quick Féminine, Hydroformed 6061 alloy
Fork	Ultra X All-Conditions Carbon
Rims	Formula CXR 350
Hubs	Formula CXR 350
Spokes	Formula CXR 350
Tires	Kenda Kwick Roller Sport, 700 X 32c
Pedals	VP platform w/sole-friendly alloy cage
Crank	FSA Omega MegaExo Triple, 30/39/50
Crank Option	N/A
Bottom Bracket	FSA Omega MegaExo
Chain	KMC 9-speed
Rear Cogs	SRAM PG-950, 11-26
Front Derailleur	Shimano FD-R443-9
Rear Derailleur	Shimano 105 triple
Shifters	Shimano SL-R440
Handlebar	Cannondale C3, 20mm rise, 600mm wide
Stem	Cannondale C3 1 1/8", 31.8mm
Headset	Integrated
Brakes	Tektro Mini-V w/cartridge pads
Brake Levers	Tektro 3-finger w/Kraton insert
Saddle	Cannondale Quick Ergo Performance Féminine
Seatpost	Cannondale C3 Alloy
Sizes	S, M
Color 1 (code)	Jet Black w/Matte Clearcoat (matte) (BBQ).
Color 2 (code)	Lightning White (gloss) (WHT).
Extras	Ergo Kraton grips

	RZ ONE TWENTY FÉMININE 3 (OVLW3)
Frame	RZ One Twenty Féminine, Si BB30, 120mm
Fork	RST Deuce Air 120mm 1.5" Alloy Steer, 15mm thru axle
Rear Shock	X Fusion RL2
Rims	Maddux DC 3.0 Double wall with eyelet, disc specific
Hubs	Formula DC51, 15mm thru, 28 hole front, Formula DC22, 28 hole rear
Spokes	DT Swiss Competition
Tires	Kenda Nevegal, 26 x 2.1"
Pedals	Wellgo Platform w/Metal Grip
Crank	Shimano M420 Octalink, 44/32/22
Bottom Bracket	Shimano Octalink
Chain	KMC X9 9-speed
Rear Cogs	SRAM PG-950, 11-34
Front Derailleur	Shimano Deore
Rear Derailleur	Shimano Deore
Shifters	SRAM X-5
Handlebar	Cannondale C3, 620 x 20mm riser
Stem	Cannondale 1.5"
Headset	Tange custom 1.5"
Brakes	Shimano M486, 160/160mm
Brake Levers	Shimano M486
Saddle	Cannondale Raven, Cro-Mo rails
Seatpost	Cannondale C3, 31.6mm
Sizes	P, S, M
Color 1 (code)	Jet Black (matte) (BBQ).
Color 2 (code)	N/A
Extras	Cannondale Morse Alloy Locking grips

	F3 FÉMININE (OFSW3)
Frame	Flash Féminine, Si BB30, double butted, hydro formed, 6061 alloy
Fork	Lefty Speed w/DLR, 110mm
Rear Shock	N/A
Rims	Maddux DC 3.0 Double wall with eyelet, disc specific
Hubs	Lefty SL, 24 hole front, Formula DC22, 28 hole rear
Spokes	DT Swiss Competition
Tires	Kenda Small Block 8, 26 x 2.1", foldable
Pedals	Wellgo Platform w/Metal Grip
Crank	Shimano M420 Octalink, 44/32/22
Bottom Bracket	Shimano Octalink
Chain	KMC X9 9-speed
Rear Cogs	SRAM PG-950, 11-32
Front Derailleur	SRAM X-7
Rear Derailleur	SRAM X-7
Shifters	SRAM X-5
Handlebar	Cannondale C3, 620 x 20mm riser
Stem	Cannondale HeadShok
Headset	Cannondale HeadShok Si
Brakes	Avid Juicy 3, 160/16

	ADVENTURE FÉMININE 3 (OASW3)	ADVENTURE FÉMININE 4 (OASW4)	ADVENTURE FÉMININE 5 (OASW5)	COMFORT FÉMININE 4 (OCSW4)	COMFORT FÉMININE 5 (OCSW5)
Frame	Adventure, mech formed, 6061 alloy, step thru	Adventure, mech formed, 6061 alloy, step thru	Adventure, mech formed, 6061 alloy, step thru	Comfort, mech formed, 6061 alloy, relaxed geometry, step thru	Comfort, mech formed, 6061 alloy, relaxed geometry, step thru
Fork	Adventure Trail Si suspension, 35mm	Spinner Tridium AC 50mm Travel	Spinner Tridium AC 50mm Travel	Spinner Tridium CR w/preload adjust, 63 mm travel	Spinner Tridium CR, 63 mm travel
Rims	Cannondale C3, double wall, CNC machined	Cannondale C3, double wall, CNC machined	Cannondale C4, double wall	Cannondale C3, double wall, CNC machined	Cannondale C4, double wall
Hubs	Shimano RM40 front, Shimano RM30 rear	Formula FM21/32	Formula FM21/32	Formula FM-31/FM-32	Formula FM-31/FM-32
Spokes	Stainless, 15g	Stainless, 15g	Stainless, 15g	Stainless, 14g	Stainless, 14g
Tires	Kenda Kwick Trax, 700 x 38c	Kenda Kwick Trax, 700 x 38c	Kenda Kwick Trax, 700 x 38c	Kenda NPJ signature, 26 x 1.25"	Kenda NPJ signature, 26 x 1.25"
Pedals	FPD Resin w/Kraton Insert	FPD Resin w/Kraton Insert	FPD Resin w/Kraton Insert	FPD resin w/Kraton insert	FPD resin w/Kraton insert
Crank	Shimano M361, 48/38/28	Shimano M191, 48/38/28	Shimano M151, 48/38/28	Shimano FC-M191, 48/38/28	Shimano FC-M151, 48/38/28
Bottom Bracket	Tange cartridge type	Tange cartridge type	Tange cartridge type	TH cartridge	TH cartridge
Chain	KMC 8-speed	KMC 8-speed	KMC 8-speed	KMC 8-speed	KMC 8-speed
Rear Cogs	SRAM PG-830, 11-32, 8-speed	SRAM PG-830, 11-32, 8-speed	Sunrace 12-32, 8-speed	Shimano CS-HG40, 12-32	Sunrace M66, 11-32
Front Derailleur	SRAM X-4	SRAM FD 3.0	SRAM FD 3.0	SRAM 3.0	SRAM 3.0
Rear Derailleur	SRAM X-7	SRAM X-5	Shimano Alivio	SRAM X-5	Shimano Alivio
Shifters	SRAM SX5 Twist Type	SRAM SX4 Twist type	Shimano Revo Twist Type	SRAM SX4 Twist type	Shimano Revo Twist type
Handlebar	Cannondale C3, 50mm rise, Féminine	Cannondale C3, 50mm rise, Féminine	Cannondale C3, 50mm rise, Féminine	Cannondale C3, 50 mm rise	Cannondale C3, 50 mm rise
Stem	Satori Up, Adjustable, 110mm	Cannondale, adjustable	Cannondale, adjustable	Cannondale, adjustable	Cannondale, adjustable
Headset	FSA Semi Integrated	FSA Semi Integrated	FSA Semi Integrated	Semi-integrated cartridge, threaded	Semi-integrated cartridge, threaded
Brakes	Cannondale V Brake w/modulator	Cannondale V Brake w/modulator	Cannondale V Brake w/modulator	Cannondale V Brake w/modulator	Cannondale V Brake w/modulator
Brake Levers	Cannondale, 4 finger w/Kraton comfort insert	Cannondale, 4 finger w/Kraton comfort insert	Cannondale, 4 finger w/Kraton comfort insert	Cannondale, 4 finger w/Kraton comfort insert	Cannondale, 4 finger w/Kraton comfort insert
Saddle	Cannondale Ultra Comfort Féminine	Cannondale Ultra Comfort Féminine	Cannondale Ultra Comfort Féminine	Cannondale Ultra Comfort Féminine	Cannondale Ultra Comfort Féminine
Seatpost	Cannondale Suspension, 40mm travel	Cannondale Suspension, 40mm travel	Cannondale Suspension, 40mm travel	Cannondale Suspension, 40mm travel	Cannondale Suspension, 40mm travel
Sizes	S, T	S, T	S, T	S, T	S, T
Color 1 (code)	Jet Black (gloss) (BLK).	Turquoise (gloss) (TRQ).	Jet Black (gloss) (BLK).	Danish Sand Castle Grey (matte) (GRY).	Pearl White (gloss) (WHT).
Color 2 (code)	Fine Silver (gloss) (SLV).	Danish Sand Castle Grey (matte) (GRY).	Pearl White (gloss) (WHT).	Velvet Red (gloss) (RED).	Jet Black (gloss) (BLK).
Extras	Cannondale Ergo Kraton grips, CLIX Front QR Skewer, rack mounts	Cannondale Ergo Kraton grips, CLIX Front QR Skewer, rack mounts	Cannondale Ergo Kraton grips, CLIX Front QR Skewer, rack mounts	Montague CLIX Front QR	Montague CLIX Front QR

NO WEIGHTS?

Don't believe everything you read. Scales differ, and marketing departments have been known to fib. The best way to compare bike weights is to head to your local bike shop. Grab two comparably spec'd and built bikes, and ask the proprietor for a scale. Hang 'em high, and see who's the lightest.

⚠️ WARNINGS!

Bicycling has risks of serious injury or death that cannot be completely avoided. Risk can be minimized by: Reading and following all warnings and instructions in owner's manuals, owner's manual supplements, always wearing a helmet, practice and step-by-step learning, riding in control and within your capabilities.

Catalog text and descriptions are marketing materials, not instructions or guidelines for use!

Visit <http://www.cannondale.com/bikes/tech/safety> for warnings, technical documents, and safety guidelines.

Warning: Reflectors are not a substitute for proper lights. It is your responsibility to equip your bicycle with all state and locally mandated lights. Riding at dawn, at dusk, at night or at other times of poor visibility without a bicycle lighting system which meets local and state laws and without reflectors is dangerous and may result in serious injury or death.

If you ride your bike before dawn or after dusk, your bicycle must be equipped with lights so that you can see the road and avoid road hazards, and so that others can see you. Traffic laws treat

WWW.CANNONDALE.COM

Please visit [cannondale.com](http://www.cannondale.com) to learn more about Cannondale's culture and the 2010 bikes! Specifications subject to change without notice.

Please refer to www.cannondale.com for the most recent specifications.

bicycles like any other vehicle. That means you must have a white front and a red rear light operating if you are riding after dusk. Your bike dealer can recommend a battery or generator powered lighting system appropriate to your needs.

Cannondale also strongly urges you to use a flashing light or strobe. All of us at Cannondale who ride at night or in conditions of lower visibility use flashers. They can save your life

Please note: Despite our nagging, members of the Liquigas pro road racing team (and other professional sponsored teams) may appear or race without helmets. We don't think it's a good idea, but they are experienced, professional cyclists and they know the risks. They are also adults, so we respect their right to choose. Despite the intransigence of any teams, we strongly advocate the use of helmets on every ride. Wearing a helmet is perhaps your single best defense against a major medical catastrophe while riding, so buckle up!

Warning: FreeRiding is inherently dangerous. Read FreeRide Warning at <http://www.cannondale.com/bikes/tech/safety.html>

1. ROAD GEOMETRY

CHART 1	SPECIFICATIONS
A	Horizontal Top Tube Length (cm)
B	Measured Size (cm)*
C	Seat Tube Angle (degrees)
D	Head Tube Angle (degrees)
E	Chain Stay Length (cm)
F	Fork Rake (cm)
G	Bottom Bracket Height (cm)
H	Wheelbase (cm)
I	Trail (cm)
J	Standover at Top Tube Midpoint (cm)
K	Bottom Bracket Drop (cm)
L	Front Center Distance (cm)
M	Head Tube Length (cm)
N	Stack (CM)
O	Reach (CM)

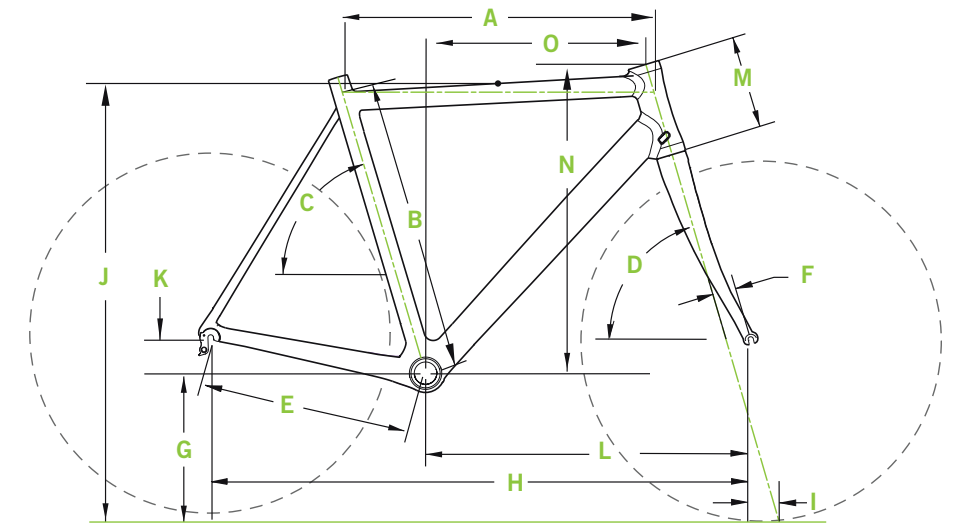


CHART 1	Size	SUPERSIX HI-MOD CARBON SUPERSIX CARBON CAAD9 OPTIMO ALLOY						SIX CARBON						CAAD8 S ALLOY								
		48	50	52	54	56	58	60	63	48	50	52	54	56	58	60	63	48	51	54	56	58
A	51.5	52.5	53.5	54.5	56.0	57.5	59.0	60.0	51.5	52.5	53.5	54.5	56	57.5	59	60	51	53	54.5	56	57.5	59.5
B	46	48	50	52	54	56	58	61	45	47	49	51	53	55	57	60	45	49	52	54	57	59
C	74.5	74.5	74	73.5	73.5	73	72.5	72	74.5	74.5	74	73.5	73.5	73	72.5	72	75	74.5	73.5	73.5	73	72.5
D	72	72.5	73	73	73	73.5	73.5	73.5	72	72.5	73	73	73	73.5	73.5	73.5	72	72.5	73	73	73.5	73.5
E	40.5	★	★	★	★	★	★	40.8	40.8	★	★	★	★	★	★	40.8	40.8	★	★	★	★	★
F	4.5	★	★	★	★	★	★	★	4.5	★	★	★	★	★	★	★	5	5	4.5	★	★	★
G	26.5	26.5	26.5	26.8	26.8	27.0	27.0	27.0	26.5	26.5	26.5	26.8	26.8	27.0	27.0	27.0	26.5	26.5	26.8	26.8	27.0	27.0
H	95.9	96.6	96.8	97.5	99.2	99.6	100.1	101.3	95.9	96.6	96.8	97.5	99.0	99.6	100.9	101.3	96.6	97.9	97.8	99.3	99.9	101.3
I	6.2	5.9	5.6	5.6	5.6	5.3	5.3	5.3	6.2	5.9	5.6	5.6	5.6	5.3	5.3	5.3	5.7	5.4	5.6	5.6	5.3	5.3
J	74	75.3	76.5	78.5	80.1	82.2	83.8	86.6	74.4	75.5	76.8	78.5	80.2	82.4	83.9	86.5	74.6	76.8	79.2	80.8	82.9	85.7
K	7.2	7.2	7.2	6.9	6.9	6.7	6.7	6.7	7.2	7.2	7.2	6.9	6.9	6.7	6.7	6.7	7.2	7.2	6.9	6.9	6.7	6.7
L	56.5	57.2	57.4	58.0	59.7	60.1	61.0	61.4	56.5	57.2	57.4	58.0	59.5	61.0	61.0	61.4	56.9	58.2	58.0	59.5	60.7	61.5
M	11	11.5	12.0	14.0	15.5	17.5	19.0	22.0	12.5	13	14	15.5	17	19	20.5	23.5	12.5	14.0	15.5	17.0	19.0	22.0
N	51.7	52.3	52.9	54.6	56.0	57.9	59.3	62.2	53.1	53.7	54.9	56.0	57.4	59.3	60.8	63.6	52.9	54.5	56.0	57.4	59.3	62.2
O	36.8	37.8	38.2	38.3	39.4	39.9	40.4	39.9	36.3	37.3	37.6	37.9	38.9	39.4	40.0	39.5	36.3	37.6	37.9	38.9	39.4	40.0

*The measured size is from the center of the bottom bracket to the top of the top tube, measured along the seat tube axis.
All sizes have a slightly sloping top tube.

*The measured size is from the center of the bottom bracket to the top of the top tube, measured along the seat tube axis.
All sizes have a slightly sloping top tube.

*The measured size is from the center of the bottom bracket to the top of the top tube, measured along the seat tube axis.
All sizes have a slightly sloping top tube.

CHART 1	Size	SLICE HI-MOD CARBON SLICE CARBON				SYNAPSE HI-MOD CARBON SYNAPSE CARBON SYNAPSE ALLOY						CAAD9 BB30 CYCLOCROSS						CAAD8 CYCLOCROSS							
		51	54	56	58	60	48	51	54	56	58	61	47	50	52	54	56	58	60	44	48	51	54	56	58
A	50.5	53.5	55	56.5	58	51	52.5	54	56	58	60	52	52.5	54	55	57	59	60	51.5	52.5	53.5	54.5	56.0	57.5	59.0
B	50	51.5	53.5	55.5	57.5	42	45	48	51	53	56	47	50	52	54	56	58	60	44	47	50	53	55	57	60
C	*variable	variable	variable	variable	variable	74.5	74	74	73.5	73	72.5	74.5	74	73.5	73.5	73	73	72.5	75	74.5	74	73.5	73	73	72.5
D	71.5	71.5	72	72	72	71	72	72	72.5	73	73	70.5	71	71.5	72	72.5	72.5	72.5	69.5	70.5	71	72	72.5	72.5	72.5
E	40	★	★	★	★	★	★	★	★	★	★	43.2	★	★	★	★	★	★	★	★	★	★	★	★	★
F	4.5	★	★	★	★	5.0	5.0	4.5	★	★	★	4.5	★	★	★	★	★	★	5	★	★	★	★	★	★
G	26.5	26.5	26.5	26.5	26.5	26.5	26.5	26.8	26.8	27.0	27.0	28.1	★	★	★	★	★	★	28.3	★	★	★	★	★	★
H	95.4	98.5	99.7	101.3	102.6	97.0	97.5	98.7	99.9	101.1	102.6	100.5	100.5	101.1	101.7	102.8	104.8	105.3	101.8	101.3	101.6	102.3	103.3	105.4	105.8
I	6.5	6.5	6.2	6.2	6.2	6.3	5.7	6.2	5.9	5.6	5.6	7.5	7.2	6.9	6.6	6.2	6.2	6.2	7.7	7.0	6.7	6.0	5.7	5.7	5.7
J	74.9	76.4	78.3	80.2	82.2	72.1	74.4	77.1	79.1	81.1	83.4	77.4	79.3	80.8	82.0	83.2	85.1	87.0	75.5	77.7	79.8	81.9	83.0	85.0	87.3
K	7.2	★	★	★	★	★	7.2	6.9	6.9	6.7	6.7	6.7	★	★	★	★	★	★	6.7	★	★	★	★	★	★
L	56.5	59.6	60.7	62.3	63.9	57.1	57.6	58.7	59.9	61.0	62.5	58.3	58.1	58.8	59.4	60.5	62.5	63.0	59.5	59.0	59.3	60.0	61.0	63.0	63.5
M	9	10.5	12.5	14.5	17	13	14.5	16.5	18	20	22	13	14	15	15.5	16	18	20	12	13.0	14.5	15.5	16.0	18.0	20.0
N	**49.4	50.9	52.9	54.8	57.2	53.0	54.8	56.6	58.2	60.1	62.0	53.6	54.7	55.9	56.5	57.2	59.1	61	53.8	55.1	56.7	58.0	58.7	60.6	62.5
O	**37.1	39.8	40.7	41.7	42.5	35.5	36.3	37.4	38.6	39.6	40.5	36.5	36.4	37.2	38.1	39.5	40.9	40.8	36.2	36.2	36.4	37.7	39.0	40.4	40.3

*The Slice seat post has two positions for mounting the saddle. A full range of angles from 73 to 78 degrees is achievable depending on the rider's preference and/or the event.

**Stack is measured vertically from the center of the BB to the top of the head tube, reach is measured horizontally from the center of the BB to the top of the head tube.

If you ride a 56 road frame, you should choose a size 56 Slice frame. All sizes have 700c wheels.

*The measured size is from the center of the bottom bracket to the top of the top tube, measured along the seat tube axis.

If you ride a size 56 cm Cannondale road bike, you should choose a 54 cm Cyclocross frame. This will give you a similar top

2. FULL-SUSPENSION MOUNTAIN GEOMETRY

CHART 2	SPECIFICATIONS
A	Seat Tube Length (cm/in)
B	Top Tube Horizontal (cm/in)
C	Top Tube Actual (cm/in)
D	Head Tube Angle
E	Seat Tube Angle
F	Standover (cm/in)
G	Head Tube Length - Carbon (cm/in)
G	Head Tube Length - Alloy (cm/in)
H	Wheelbase (cm/in)
I	Front Center (cm/in)
J	Chain Stay Length (cm/in)
K	Bottom Bracket Drop (cm/in)
L	Bottom Bracket Height (cm/in)
M	Fork Rake (cm/in)
N	Trail (cm/in)

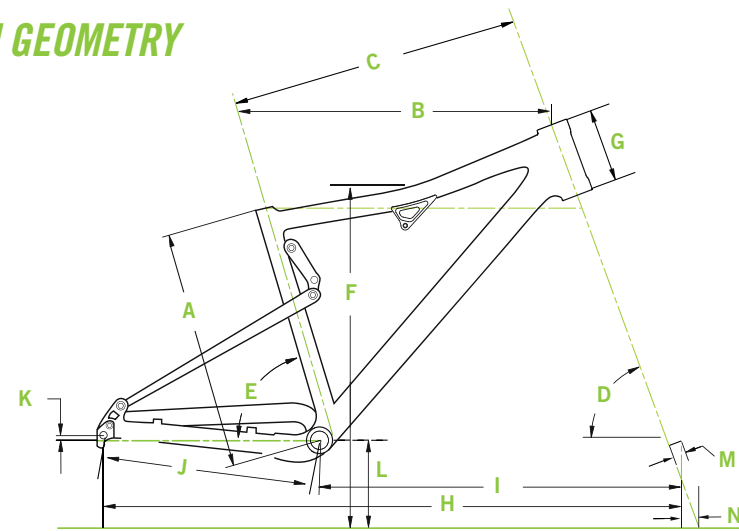


CHART 2	MOTO CARBON MOTO ALLOY				RZ ONE FORTY CARBON RZ ONE FORTY ALLOY				RZ ONE TWENTY				SCALPEL CARBON SCALPEL ALLOY			
	Small	Medium	Large	X-Large	Small	Medium	Large	X-Large	Small	Medium	Large	X-Large	Small	Medium	Large	X-Large
A	41.0/16.1	42.9/16.9	48.2/19.0	53.7/21.1	43.2/17.0	45.7/18.0	48.3/19.0	50.8/20.0	43.2/17.0	45.7/18.0	48.3/19.0	50.9/20.0	40.5/15.9	43.0/16.9	48.0/18.9	50.0/19.7
B	56.3/22.1	58.9/23.2	61.9/24.4	64.7/25.5	56.0/22.0	58.8/23.1	61.5/24.2	64.0/25.2	56.0/22.0	58.7/23.1	61.3/24.1	64.1/25.2	56.0/22.0	58.7/23.1	61.6/24.2	64.3/25.3
C	53.5/21.1	56.0/22.0	59.0/23.2	62.5/24.6	53.3/21.0	56.0/22.0	58.9/23.2	61.4/24.2	53.5/21.1	56.2/22.1	59.1/23.3	61.9/24.4	53.9/21.2	56.4/22.2	59.5/23.4	62.4/24.6
D	67.0°	★	★	★	68.0°	★	★	★	69.0°	★	★	★	69.5°	★	★	★
E	72.0°	★	★	★	72.0°	★	★	★	73.5°	★	★	★	74.0°	★	★	★
F	74.8/29.4	76.4/30.1	80.7/31.8	82.0/32.3	75.9/29.9	77.7/30.6	78.1/30.7	77.5/30.5	73.1/28.8	76.0/29.9	76.1/30.0	76.0/29.9	73.3/28.9	73.4/28.9	73.9/29.1	73.9/29.1
G (CARBON)	13.6/5.3	13.6/5.3	16.1/6.3	16.1/6.3	13.4/5.3	★	★	★	na	na	na	na	13.8/5.4	★	★	★
G (ALLOY)	11.4/4.5	11.4/4.5	14.0/5.5	14.0/5.5	13.4/5.3	★	★	★	16.0/6.3	13.4/5.3	★	★	16.0/6.3	★	★	★
H	110.0/43.3	112.7/44.4	115.9/45.6	118.7/46.7	108.1/42.6	110.8/43.6	113.6/44.7	116.3/45.8	107.6/42.4	110.3/43.4	113.0/44.5	116.0/45.7	107.9/42.5	110.6/43.5	113.5/44.7	116.2/45.7
I	67.9/26.7	70.6/27.8	73.8/29.0	76.6/30.1	65.6/25.8	68.3/26.9	71.1/28.0	73.8/29.1	65.2/25.7	67.8/26.7	70.5/27.8	73.5/28.9	65.5/25.8	68.2/26.9	71.1/28.0	73.8/29.1
J	42.2/16.6	★	★	★	42.5/16.7	★	★	★	42.5/16.7	★	★	★	42.4/16.7	★	★	★
K	2.3/0.9	★	★	★	-0.3/-0.1	★	★	★	0.0/0.0	★	★	★	0.5/0.2	★	★	★
L	35.3/13.9	★	★	★	33.3/13.1	★	★	★	33.0/13.0	★	★	★	32.5/12.8	★	★	★
M	4.5/1.8	★	★	★	4.5/1.8	★	★	★	4.5/1.8	★	★	★	4.5/1.8	★	★	★
N	9.2/3.6	★	★	★	7.8/3.1	★	★	★	7.8/3.1	★	★	★	7.5/3.0	★	★	★

3. HARDTAIL MOUNTAIN GEOMETRY

CHART 3	SPECIFICATIONS
A	Seat Tube Length (cm/in)
B	Top Tube Horizontal (cm/in)
C	Top Tube Actual (cm/in)
D	Head Tube Angle (degrees)
E	Seat Tube Angle (degrees)
F	Standover at Top Tube Midpoint (cm/in)
G	Head Tube Length (cm/in)
H	Wheelbase (cm/in)
I	Front Center (cm/in)
J	Chain Stay Length (cm/in)
K	Bottom Bracket Drop (cm/in)
L	Bottom Bracket Height (cm/in)
M	Fork Rake (cm/in)
N	Trail (cm/in)

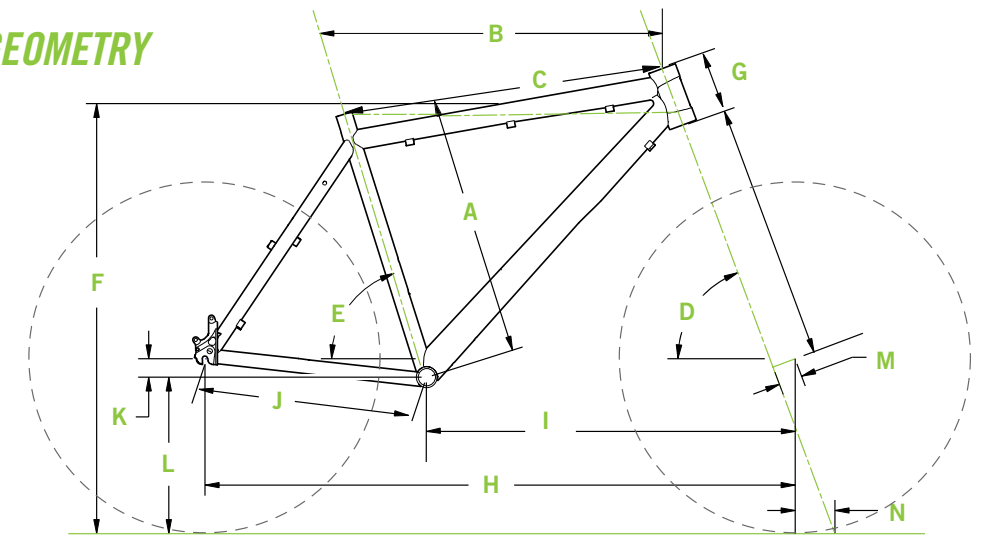


CHART 3	FLASH CARBON				FLASH ALLOY				TRAIL SL ALLOY				
	Small	Medium	Large	X-Large	Small	Medium	Large	X-Large	Small	Medium	Large	X-Large	Jumbo
A	38.2/15	43.2/17	48.2/19	53.2/20.9	38.0/15	43.3/17	47.5/18.7	52.5/20.7	38.0/15	43.3/17	47.5/18.7	52.5/20.7	57.0/22.4
B	55.5/21.9	58.5/23	61.5/24.2	64.0/25.2	55.0/21.7	58.4/23	61.4/24.2	62.9/24.8	55.0/21.7	58.4/23	61.4/24.2	62.9/24.8	63.7/25.1
C	54.8/21.6	56.6/22.3	59.1/23.3	61.8/24.3	54.1/21.3	56.4/22.2	58.8/23.1	60.3/23.7	54.1/21.3	56.4/22.2	58.8/23.1	60.3/23.7	61.5/24.2
D	69.8°	70.1°	70.3°	70.5°	70.0°	70.0°	70.0°	70.0°	70.0°	★	★	★	★
E	73.9°	73.6°	73.3°	73.0°	73.5°	73.5°	73.0°	72.5°	73.5°	73.5°	73.0°	72.5°	72.5°
F	75.2/29.6	77.5/30.5	79.9/31.5	82.0/32.3	74.9/29.5	77.5/30.5	79.4/31.3	83.0/32.7	74.9/29.5	77.5/30.5	79.4/31.3	83.0/32.7	85.1/33.5
G	13.4/5.3	★	★	★	13.4/5.3	13.4/5.3	13.4/5.3	16.0/6.3	11.4/4.5	11.4/4.5	11.4/4.5	14.4/5.7	14.4/5.7
H	105.8/41.7	108.1/42.6	110.6/43.5	112.5/44.3	104.7/41.2	108.2/42.6	110.6/43.5	111.7/44	104.7/41.2	108.2/42.6	110.6/43.5	111.7/44	112.4/44.3
I	63.8/25.1	66.2/26.1	68.6/27	70.5/27.8	62.6/24.6	66.0/26	68.4/26.9	69.5/27.4	62.6/24.6	66.0/26	68.4/26.9	69.5/27.4	70.2/27.6
J	42.2/16.6	★	★	★	42.4/16.7	42.4/16.7	42.4/16.7	42.4/16.7	★	★	★	★	★
K	3.5/1.4	★	★	★	3.5/1.4	3.5/1.4	3.5/1.4	3.5/1.4	3.5/1.4	★	★	★	★
L	29.5/11.6	★	★	★	29.0/11.4	29.0/11.4	29.0/11.4	29.0/11.4	29.0/11.4	★	★	★	★
M	4.5/1.8	★	★	★	4.5/1.8	4.5/1.8	4.5/1.8	4.5/1.8	4.5/1.8	★	★	★	★
N	7.3/2.9	7.2/2.8	7.0/2.8	6.9/2.7	7.0/2.8	7.0/2.8	7.0/2.8	7.0/2.8	7.0/2.8	★	★	★	★

CHART 3	CO2 ALLOY					FLASH CARBON 29'ER			FLASH ALLOY 29'ER			TRAIL SL 29'ER ALLOY		
	Small	Medium	Large	X-Large	Jumbo	Medium	Large	X-Large	Medium	Large	X-Large	Medium	Large	X-Large
A	38.0/15	43.3/17	47.5/18.7	52.5/20.7	57.0/22.4	43.0/16.9	47.5/18.7	52.5/20.7	43.3/17	47.5/18.7	52.5/20.7	43.3/17	47.5/18.7	52.5/20.7
B	55.1/21.7	58.4/23	61.4/24.2	63.0/24.8	63.6/25.4	59.3/23.3	62.2/24.5	64.1/25.3	59.3/23.3	62.2/24.5	63.9/25.2	59.4/23.4	62.3/24.5	64.0/25.2
C	53.8/21.2	56.3/22.2	58.9/23.2	60.5/23.8	61.3/24.1	57.3/22.6	59.6/23.5	61.3/24.1	57.7/22.7	59.7/23.5	61.1/24.1	57.5/22.6	59.7/23.5	61.3/24.1
D	70.0°	★	★	★	★	71.0°	71.2°	71.4°	71.0°	★	★	71.0°	★	★
E	73.5°	73.5°	73.0°	72.5°	72.5°	73.5°	73.0°	72.5°	73.5°	73.0°	72.5°	73.5°	73.0°	72.5°
F	73.8/29.1	76.9/30.3	79.2/31.2	82.2/32.4	85.7/33.7	79.8/31.4	81.9/32.2	84.0/33.1	80.7/31.8	82.6/32.5	85.0/33.5	80.0/31.5	82.0/32.3	84.4/33.2
G	10.5/4.1	11.5/4.5	12.2/4.8	13.5/5.3	16.5/6.5	13.4/5.3	★	★	13.4/5.3	13.4/5.3	13.4/5.3	11.4/4.5	11.4/4.5	11.4/4.5
H	104.7/41.2	108.2/42.6	110.6/43.5	111.7/44	112.4/44.3	109.8/43.2	110.9/43.7	112.0/44.1	108.8/42.8	111.1/43.7	112.2/44.2	108.8/42.8	111.1/43.7	112.2/44.2
I	62.6/24.6	66.0/26	68.5/27	69.5/27.4	70.3/27.7	66.2/26.1	67.3/26.5	68.4/26.9	65.2/25.7	67.5/26.6	68.6/27	65.2/25.7	67.5/26.6	68.6/27
J	42.4/16.7	★	★	★	★	44.4/17.5	44.4/17.5	44.4/17.5	44.4/17.5	★	★	44.4/17.5	★	★
K	3.5/1.4	★	★	★	★	6.5/2.6	★	★	6.5/2.6	★	★	6.5/2.6	★	★
L	29.0/11.4	★	★	★	★	30.2/11.9	★	★	30.5/12	★	★	30.5/12	★	★
M	4.5/1.8	★	★	★	★	4.5/1.8	★	★	4.5/1.8	★	★	4.5/1.8	★	★
N	7.0/2.8	★	★	★	★	7.9/3.1	7.7/3	7.6/3	8.0/3.1	★	★	8.0/3.1	★	★

CHART 3	BAD BOY SOLO					BAD BOY DISC / BAD BOY				HOOLIGAN
	Petite	Small	Medium	Large	X-Large	Small	Medium	Large	X-Large	One Size
A	35.0/13.8	38.0/15.0	43.3/17.0	47.5/18.7	52.5/20.7	39/15.4	46/18.1	51/20.1	56/22.0	37.0/14.6
B	54.4/21.2	56.5/22.3	59.7/23.5	62.2/24.5	63.5/25.0	55	57.5	60	62	57.3
C	51.8/20.4	53.1/20.9	56.1/22.1	58.9/23.2	60.9/24.0	52.5/20.7	56.2/22.1	58.4/23.0	59.7/23.5	54.7/21.5
D	70.0	70.0	★	★	★	70	71	★	★	70
E	75.0	73.5	73.5	73.0	72.5	74.5	73.5	73	72.5	73
F	75.3/29.0	76.4/30.1	77.7/30.6	79.7/31.4	82.0/32.3	73.9	78.2	81.4	84.5	60
G	11.4/4.5	11.4/4.5	11.4/4.5	11.4/4.5	11.4/4.5	13	15	17	19	17.1
H	103.3/40.7	104.9/41.3	108.2/42.6	110.6/43.5	111.7/44.0	104.4	105.8	108.1	109.8	106
I	61.2/24.1	62.8/24.7	66.1/26.0	68.5/27.0	69.5/27.4	61.4	62.8	65.1	66.8	66.2
J	42.4/16.7	42.4/16.7	★	★	★	43.5	43.5	43.5	43.5	40
K	3.5/1.4	3.5/1.4	★	★	★	5.1	★	★	★	6.6
L	29.8/11.7	29.8/11.7	★	★	★	73.9	78.2	81.4	84.5	27.5
M	4.5/1.8	★	★	★	★	4.5	★	★	★	★
N	7.3/2.9	7.3/2.9	★	★	★	7.8	7.2	★	★	2.6

Registered Trademarks ® of the Cannondale Bicycle Corporation:
Cannondale®, the Cannondale "C" logo, Fatty®, Lefty®, Optimo®, Scalpel®, Slice®, Synapse®.

Trademarks™ of the Cannondale Bicycle Corporation:
BB30™, CAAD™ (Cannondale Advanced Aluminum Design), CAAD9™, Caffeine™, Cannondale Factory Racing Team™, Capo™, CO2™, Flash™, HeadShok™, Hi-MOD™, Hollowgram™, Hooligan™, Moto™, PowerPyramid™, Quick™, Q-Lab™, RZ One Forty™, RZ One Twenty™, Rush™, S.A.V.E.™, Si™, Six™, SuperSix™, System Integration™ and Trail SL.

Liquigas and Monavie are registered trademarks and are used with their permission. FOX and FOX RLC are registered trademarks of FOX Factory Inc. and are used with their permission, #6581948. Solo Air and RockShok are registered trademarks of SRAM and are used with their permission.

Cannondale® frames and HeadShok™ forks are covered by one or more of the following U.S. Patents:
4,808,147 5,020,819 5,201,537 5,249,818 5,308,099 5,320,374 5,449,155 5,494,302 5,509,674
5,634,653 5,702,092 5,924,714 6,007,056 6,145,862 6,155,541 6,896,006 7,140,628 7,217,037
other U.S. patents pending.

Call (800) BIKE USA for more information. www.cannondale.com

4. RECREATION/URBAN GEOMETRY

CHART 4 SPECIFICATIONS	
A*	Measured Size (cm)*
A	Seat Tube Length Overall (cm)
B	Seat Tube Angle
C	Head Tube Angle
D	Horizontal Top Tube Length (cm)
E	Chain Stay Length (cm)
F	Fork Rake (cm)
G	Bottom Bracket Height (cm)
H	Wheelbase (cm)
I	Trail (cm)
J	Standover Height (cm)
K	Bottom Bracket Drop (cm)
L	Front Center (cm)
M	Head Tube Length (cm)

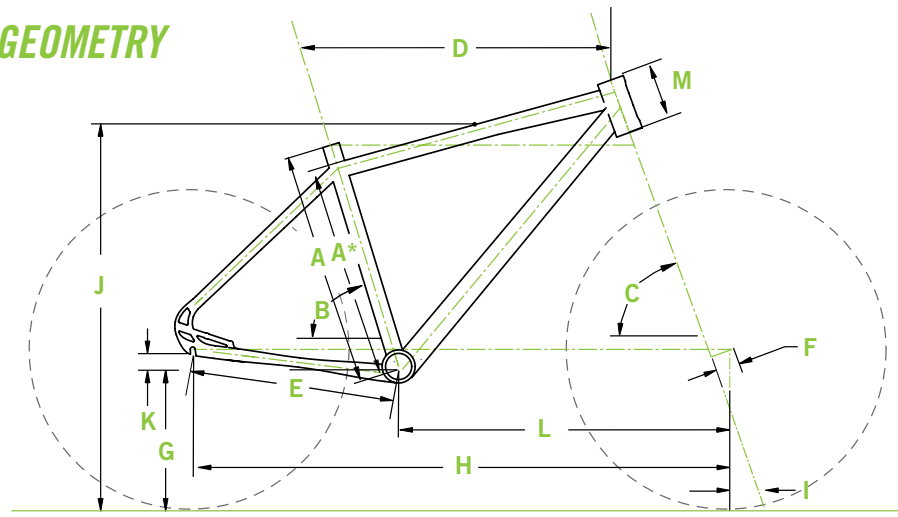


CHART 4	QUICK FULL CARBON					QUICK ALLOY/CARBON					QUICK ALLOY				
	Size	Small	Medium	Large	X-Large	Jumbo	Small	Medium	Large	X-Large	Jumbo	Small	Medium	Large	X-Large
A*	38.5/15.2	41/16.1	46/18.1	51/20.1	57/22.4	38.5/15.2	41/16.1	46/18.1	51/20.1	57/22.4	34.5/13.5	38.5/15	43/17	49/19	56/22
B	75	76	74.5	73	72.5	75	76	74.5	73	72.5	76.0	74.5	73.5	72.5	72.0
C	71	71	71.5	72	72.5	71	71	71.5	72	72.5	71.0	71.5	71.5	72.0	72.5
D	53.5	53.5	56	58.5	62	53.5	53.5	56	58.5	62	53.0	55.0	57.0	59.0	62.0
E	43	43	★	★	★	43	43	★	★	★	44.5	★	★	★	★
F	5.0	5.0	★	★	★	5.0	5.0	★	★	★	5.0	★	★	★	★
G	27.4	27.4	27.4	27.4	27.4	26.9	26.9	27.4	★	★	27.8	27.8	28.3	28.3	28.3
H	101.4	102.3	103.9	104.8	107.5	101.4	102.3	103.9	104.8	107.5	105.4	105.3	106.5	106.8	108.6
I	6.6	6.5	6.2	5.9	5.6	6.6	6.5	6.2	5.9	5.6	6.7	6.4	6.4	6.1	5.7
J	74.3	75.0	78.7	82.8	87.0	74.3	75.0	78.7	82.8	87.0	73.8	75.8	79.0	82.6	87.0
K	7.0	★	★	★	★	7.5	7.5	7.0	★	★	7.0	7.0	6.5	★	★
L	59.5	60.4	61.9	62.8	65.4	59.5	60.4	61.9	62.8	65.4	61.8	61.8	62.8	63.1	64.9
M	14	13	16	19	22	15	14	17	20	23	15.6	17.1	18.7	20.4	23.0

*Measured size is from the center of the bottom bracket to the top of the top tube, measured along the seat tube axis.

*Measured size is from the center of the bottom bracket to the top of the top tube, measured along the seat tube axis.

*Measured size is from the center of the bottom bracket to the top of the top tube, measured along the seat tube axis.

CHART 4	QUICK CX HEADSHOK FS					QUICK CX RIGID				
	Size	Small	Medium	Large	X-Large	Jumbo	Small	Medium	Large	X-Large
A*	44/17.3	48/18.9	52/20.5	56/22.0	60/23.6	44/17.3	48/18.9	52/20.5	56/22.0	60/23.6
B	74	73.5	73	73	72.5	74	73.5	73	73	72.5
C	70	70.5	71	71.5	72	70	70.5	71	71.5	72
D	54	55	56.5	58	60.5	54	55	56.5	58	60.5
E	44	★	★	★	★	44	★	★	★	★
F	4.5	4.5	4.5	4.5	4.5	4.5	4.5	★	★	★
G	28.0	28.0	28.0	28.0	28.0	28.0	★	★	★	★
H	103.1	103.6	104.4	105.5	107.1	103.1	103.6	104.4	105.5	107.1
I	7.8	7.5	7.2	6.8	6.5	7.8	7.5	7.2	6.8	6.5
J	77.5	79.5	81.4	83.3	85.1	77.5	77.9	80.3	82.5	85.0
K	6.7	★	★	★	★	6.7	★	★	★	★
L	60.0	60.4	61.2	62.4	64.0	60.0	60.4	61.2	62.4	64.0
M	11.4	★	★	★	★	14	15	16	17	18

*Measured size is from the center of the bottom bracket to the top of the top tube, measured along the seat tube axis.

*Measured size is from the center of the bottom bracket to the top of the top tube, measured along the seat tube axis.

CHART 4	TOURING					ADVENTURE					COMFORT				
	Size	Small	Medium	Large	X-Large	Jumbo	Small	Medium	Large	X-Large	Jumbo	Small	Medium	Large	X-Large
A	17/43.2	19/48.3	21/53.3	23/58.4	25/63.5	35.6/14.0	40.6/16.0	45.7/18.0	53.3/21.0	61.0/24.0	35.6/14.0	40.6/16.0	45.7/18.0	53.3/21.0	61.0/24.0
B	74.5	74	73	73	72.5	70	★	★	★	★	70	★	★	★	★
C	70	71	71	71.5	72	69	★	★	★	★	69	★	★	★	★
D	21/53.3	21.5/54.6	22/55.9	22.7/57.7	23.5/59.7	56.5	57.2	58	59	60	55	55.7	56.5	58	59.5
E	18/45.7	18/45.7	18/45.7	18/45.7	18/45.7	46.5	★	★	★	★	45.7	★	★	★	★
F	1.97/5	★	★	★	★	4.5	★	★	★	★	4.5	★	★	★	★
G	11.1/28.2	★	★	★	★	28.0	★	★	★	★	30.3	★	★	★	★
H	41.4/105.1	41.6/105.7	41.8/106.2	42.4/107.7	42.8/122.4	105.4	106.2	107.1	108.2	109.4	104.2	105.0	105.9	107.6	109.2
I	2.8/7.1	2.4/6.1	2.5/6.3	2.4/6.1	2.3/5.8	8.5	★	★	★	★	8.5	★	★	★	★
J	29.1/73.9	30.1/76.4	31.5/80	33.1/84	34.6/87.9	70	73.2	77.2	82.2	86.3	70.8	73.9	77.8	82.7	86.7
K	2.6/6.6	★	★	★	★	6.8	★	★	★	★	4.5	★	★	★	★
L	23.787	24.046	24.178	24.753	25.164	59.8	60.6	61.4	62.3	63.7	59.8	60.6	61.4	62.3	63.7
M	4.5/11.4	4.5/11.4	5.5/14	6.5/16.5	8/20.3	13.6	13.6	15.6	17.1	17.1	13.6	13.6	15.6	17.1	17.1

5. TANDEM GEOMETRY

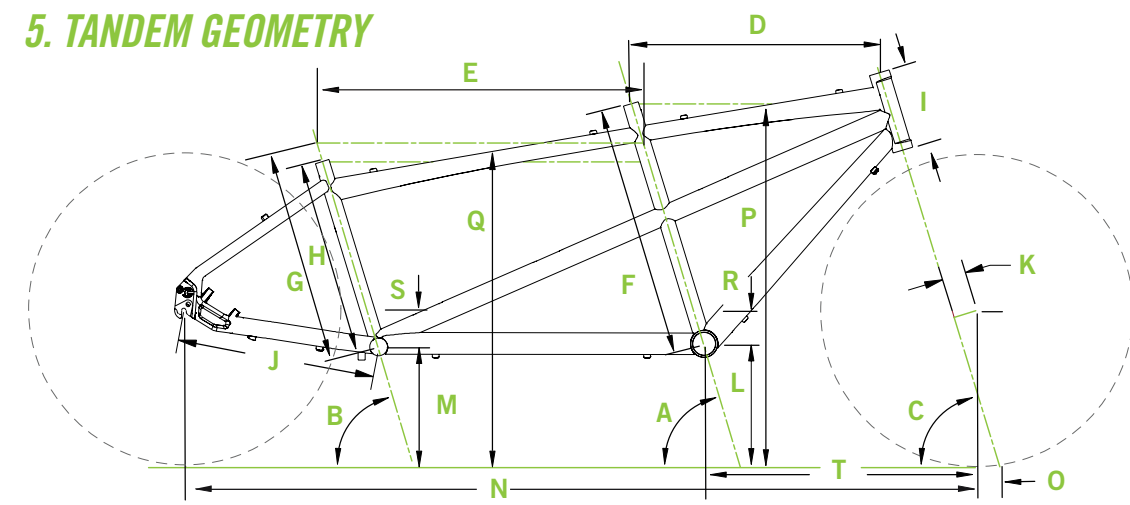


CHART 5	SPECIFICATIONS	ROAD TANDEM				STREET TANDEM				
		Size	M/S	L/S	X/S	J/M	M/S	L/S	X/S	J/M
A	Front Seat Tube Angle (degrees)	73	★	★	★	73	★	★	★	★
B	Rear Seat Tube Angle (degrees)	73	★	★	★	73	★	★	★	★
C	Head Tube Angle (degrees)	73	★	★	★	71	★	★	★	★
D	Horizontal Front Top Tube Length (in/cm)	21.5/54.5	22.0/56.0	22.6/57.5	23.6/60.0	22.5/57.1	23.0/58.5	23.6/60.0	24.6/62.5	★
E	Horizontal Rear Top Tube Length (in/cm)	28.6/72.6	★	★	29.1/73.9	28.6/72.6	★	★	29.1/73.9	★
F	Front Seat Tube Overall Length (in/cm)	19.0/48.3	20.0/50.8	22.0/55.9	23.0/58.4	18.0/45.7	19.0/48.3	21.0/53.3	22.0/55.9	★
G	Rear Seat Tube Overall Length (in/cm)	17.0/43.2	★	★	19.0/48.3	17.0/43.2	★	★	19.0/48.3	★
H	Rear Seat Tube Measured Length (in/cm)	15.6/39.7	15.6/39.7	17.0/43.2	19.0/48.3	15.6/39.7	★	★	19.0/48.3	★
I	Head Tube Length (in/cm)	5.9/15.0	6.5/16.5	7.1/18.0	7.9/20.0	5.9/15.0	6.5/16.5	7.1/18.0	7.9/20.0	★
J	Chain Stay Length (in/cm)	17.4/44.2	★	★	★	17.4/44.2	★	★	★	★
K	Fork Rake (in/cm)	2.1/5.3	★	★	★	2.1/5.3	★	★	★	★
L	Front Bottom Bracket Height (in/cm)	10.8/27.4	★	★	★	11.5/29.2	★	★	★	★
M	Rear Bottom Bracket Height (in/cm)	10.5/26.7	★	★	★	11.2/28.5	★	★	★	★
N	Wheelbase (in/cm)	68.4/173.6	69.0/175.1	69.5/176.6	71.0/180.4	70.7/179.6	71.3/181.1	72.0/182.7	73.5/186.6	★
O	Trail (in/cm)	2.0/5.1	★	★	★	2.3/5.8	★	★	★	★
P	Front Standover at Top Tube midpoint (in/cm)	28.2/71.7	30.6/77.7	31.6/80.3	32.5/82.6	27.6/70.2	29.8/75.8	30.9/78.6	31.8/80.8	★
Q	Rear Standover at Top Tube midpoint (in/cm)	25.4/64.6	26.3/66.8	27.6/70.2	29.5/74.0	25.7/65.2	26.4/67.3	27.8/70.6	29.3/74.4	★
R	Front Bottom Bracket Drop (in/cm)	2.9/7.4	★	★	★	1.5/3.8	★	★	★	★
S	Rear Bottom Bracket Drop (in/cm)	3.2/8.1	★	★	★	1.8/4.6	★	★	★	★
T	Front Center Distance (in/cm)	22.9/58.3	23.5/59.7	24.1/61.2	25.1/63.7	24.9/63.2	25.5/64.7	26.1/66.4	27.2/69.0	★

REFER TO ILLUSTRATION CHART 1 ON PAGE 123

CHART 1	SPECIFICATIONS	CAPO - CAAD5 TRACK							
		Size	48	50	52	54	56	58	60
A	Horizontal Top Tube Length (cm)	51.5	52.5	53.5	54.5	56.0	57.5	59.0	60.0
B	Measured Size (cm)*	47	49	51	53	56	58	60	63
C	Seat Tube Angle (degrees)	75.5	75.5	75	75	74.5	74.5	74	74
D	Head Tube Angle (degrees)	72.5	72.5	73	★	★	★	73.5	73.5
E	Chain Stay Length (cm)	40.5	★	★	★	★	★	★	★
F	Fork Rake (cm)	4.5	★	★	★	★	★	★	★
G	Bottom Bracket Height (cm)	28.2	28.2	28.2	28.2	★	★	★	★
H	Wheelbase (cm)	97.1	98.1	98.4	99.5	100.6	102.1	102.6	103.7
I	Trail (cm)	6.0	6.0	5.7	★	★	★	★	★
J	Standover at Top Tube Midpoint (cm)	75.4	76.6	78.4	80.3	82.1	84.1	85.8	88.7
K	Bottom Bracket Drop (cm)	5.8	★	★	★	★	★	★	★
L	Front Center Distance (cm)	57.3	58.4	58.6	59.7	60.7	62.3	62.8	63.8
M	Head Tube Length (cm)	11.4	11.9	13.6	15.6	16.8	18.8	20.5	23.5
N	Stack (CM)	50.5	51.0	52.8	54.7	55.8	57.7	59.6	62.4
O	Reach (CM)	38.2	39.1	39.2	39.7	40.5	41.4	41.9	42.1

*For proper fit, sizes 48-54 have a seat tube that is lowered 1 cm and a head tube that is raised 1 cm. This results in a slightly sloping top tube. The measured size is from the center of the bottom bracket to the top of the top tube along the seat tube axis.

FÉMININE GEOMETRY: REFER TO PREVIOUS ILLUSTRATIONS

Size	SYNAPSE HI-MOD CARBON FÉMININE SYNAPSE CARBON FÉMININE SYNAPSE ALLOY FÉMININE				SIX ALLOY FÉMININE				CAAD9 FÉMININE				CAAD8 S FÉMININE			
	44	48	51	54	44	48	51	54	44	48	51	54	44	48	51	54
A	50	51	52.5	53.5	50	51	51.8	54.5	50	51.5	52.0	53.5	50	51	51.8	54.5
B	38	42	45	49	42	46	48	52	42	46	49	52	40	45	48	52
C	76	74.5	74	74	76	75	74.5	73.5	76	74.5	74.5	73.5	76	75	74.5	73.5
D	70.5	71	72	72.5	70.5	72	72.5	73	70.5	72	72.5	73	70.5	72	72.5	73
E	41	★	★	★	40.8	★	★	★	40.5	★	★	★	40.8	40.8	40.8	40.8
F	5.0	★	★	★	5.0	★	★	4.5	5	★	★	★	5	★	★	4.5
G	26.5	★	★	★	26.5	★	★	26.2	26.5	★	★	★	26.5	26.5	26.5	26.8
H	97.2	97.0	97.5	98.2	97.2	96.6	96.7	97.8	96.9	96.4	96.6	96.8	97.2	96.6	96.7	97.8
I	6.6	6.3	5.7	5.4	6.6	5.7	5.3	5.6	6.6	5.7	5.4	5.1	6.6	5.7	5.3	5.6
J	69.8	72.1	74.4	77.0	72.9	74.6	76.4	79.2	71	74	76	78	72.9	74.6	76.4	79.2
K	7.2	★	★	★	7.2	★	★	6.9	7.2	★	★	★	7.2	★	★	6.9
L	57.3	57.1	57.6	58.3	57.5	56.9	57.0	58.0	57.5	57.0	57.2	57.5	57.5	56.9	57.0	58.0
M	12.5	13	14.5	16	12.5	12.5	14	15.5	10.5	11	13	15	12.5	12.5	14.0	15.5
N	52.4	53.0	54.8	56.4	52.4	52.9	54.5	56.6	50.3	51.7	53.4	55.7	52.4	52.9	54.5	56.0
O	35.3	35.5	36.3	37.1	35.7	36.3	36.4	37.7	36.5	36.8	36.8	37.0	35.5	36.3	36.4	37.9

* Measured size is from the center of the bottom bracket to the top of the top tube, measured along the seat tube axis.

* The measured size is from the center of the bottom bracket to the top of the top tube along the seat tube axis.

* The measured size is from the center of the bottom bracket to the top of the top tube along the seat tube axis.

CHART 2		SCALPEL ALLOY FÉMININE			RZ ONE TWENTY FÉMININE			CHART 3		FLASH ALLOY FÉMININE				TRAIL SL ALLOY FÉMININE				CO2 FÉMININE		
Size	Petite	Small	Medium	Petite	Small	Medium	Size	Petite	Small	Medium	Tall	Petite	Small	Medium	Tall	Petite	Small	Medium		
A	40.5/15.9	40.5/15.9	41.5/16.3	40.6/16.0	43.2/17.0	45.7/18.0	A	37.0/14.6	38.0/15	40.0/15.7	45.0/17.7	37.0/14.6	38.0/15	40.0/15.7	45.0/17.7	37.0/14.6	38.0/15	40.0/15.7		
B	52.9/20.8	56.0/22.0	57.2/22.5	53.0/20.9	56.0/22.0	57.5/22.6	B	52.2/20.6	55.0/21.7	57.0/22.4	58.9/23.2	52.2/20.6	55.0/21.7	57.0/22.4	58.9/23.2	52.3/20.6	55.1/21.7	57.1/22.5		
C	51.0/20.1	53.9/21.2	55.0/21.7	50.8/20.0	53.5/21.1	55.0/21.7	C	52.7/20.7	54.1/21.3	55.6/21.9	56.7/22.3	52.7/20.7	54.1/21.3	55.6/21.9	56.7/22.3	52.2/20.6	53.8/21.2	55.3/21.8		
D	69.5°	★	★	68.5°	69.0°	69.0°	D	70.0°	★	★	★	70.0°	★	★	★	70.0°	★	★		
E	74.0°	★	★	73.5°	★	★	E	75.0°	73.5°	★	★	75.0°	73.5°	★	★	75.0°	73.5°	73.5°		
F	73.3/28.9	★	★	72.9/28.7	73.1/28.8	75.9/29.9	F	74.4/29.3	74.9/29.5	75.9/29.9	78.3/30.8	74.4/29.3	74.9/29.5	75.9/29.9	78.3/30.8	73.4/28.9	73.8/29.1	74.8/29.4		
G	13.8/5.4	★	★	13.4/5.3	★	★	G	13.4/5.3	★	★	★	11.4/4.5	★	★	★	10.5/4.1	★	★		
H	104.8/41.3	107.9/42.5	109.2/43.0	105.2/41.4	107.6/42.4	109.1/43.0	H	103.6/40.8	104.7/41.2	106.8/42	108.7/42.8	103.6/40.8	104.7/41.2	106.8/42	108.7/42.8	103.6/40.8	104.7/41.2	106.8/42		
I	62.4/24.6	65.5/25.8	66.8/26.3	62.8/24.7	65.2/25.7	66.6/26.2	I	61.4/24.2	62.6/24.6	64.6/25.4	66.5/26.2	61.4/24.2	62.6/24.6	64.6/25.4	66.5/26.2	61.4/24.2	62.6/24.6	64.6/25.4		
J	42.4/16.7	★	★	42.5/16.7	★	★	J	42.4/16.7	★	★	★	42.4/16.7	★	★	★	42.4/16.7	★	★		
K	0.5/0.2	★	★	0.0/0.0	★	★	K	3.5/1.4	★	★	★	3.5/1.4	★	★	★	3.5/1.4	★	★		
L	32.5/12.8	★	★	33.0/13.0	★	★	L	29.0/11.4	★	★	★	29.0/11.4	★	★	★	29.0/11.4	★	★		
M	4.5/1.8	★	★	4.5/1.8	★	★	M	4.5/1.8	★	★	★	4.5/1.8	★	★	★	4.5/1.8	★	★		
N	7.5/3.0	★	★	8.2/3.2	7.8/3.1	7.8/3.1	N	7.0/2.8	★	★	★	7.0/2.8	★	★	★	7.0/2.8	★	★		

CHART 4		QUICK FULL CARBON FÉMININE		QUICK ALLOY/ CARBON FÉMININE		QUICK ALLOY FÉMININE	
Size	Small	Medium	Small	Medium	Petite	Small	Medium
A*	38.5/15.2	43.5/17.1	38.5	43.5	33/13	36/14	39/15.5
B	75	74	75	74	76	74.5	73.5
C	71	71.5	71	71.5	70.5	70.5	71
D	53.5	56	53.5	56	52	53.5	55.5
E	43	★	43	★	44.5	★	★
F	5.0	★	5.0	★	★	★	★
G	27.4	27.4	26.9	★	27.8	27.8	28.3
H	101.4	102.8	101.4	102.8	104.6	104.7	105.5
I	6.6	5.9	6.6	5.9	7.0	7.0	6.7
J	74.3	78.3	74.3	78.3	70.9	73.6	76.9
K	7.0	7.0	7.5	7.5	7.0	7.0	6.5
L	59.5	60.8	59.5	60.8	61	61.2	61.8
M	14	17	15	18	12.5	15.6	18.5

* Measured size is from the center of the bottom bracket to the top of the top tube, measured along the seat tube axis.

* Measured size is from the center of the bottom bracket to the top of the top tube, measured along the seat tube axis.

* Measured size is from the center of the bottom bracket to the top of the top tube, measured along the seat tube axis.

CHART 4		ADVENTURE FÉMININE		COMFORT FÉMININE	
Size	Small	Tall	Small	Tall	
A	36.8/14.5	45.7/18.0	36.8/14.5	45.7/18.0	
B	70	★	★	★	
C	69	★	★	★	
D	55.5	56.5	54	55.5	
E	46.5	★	45.7	★	
F	4.5	★	★	★	
G	28.0	★	30.3	★	
H	104.4	105.6	103.3	104.9	
I	8.5	★	★	★	
J	54.7	★	53.7	★	
K	6.8	★	4.5	★	
L	58.8	60.0	58.0	59.6	
M	13.6	15.6	13.6	15.6	