

XC3 SI STEM-STEERER

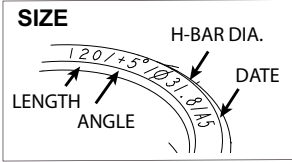
Installation

1. Make sure both the upper and lower Lefty clamp bolts are loose.
2. Make sure the headset parts are assembled as shown (next page).
3. Position the Lefty clamps onto the headtube as shown.
4. Insert Cannondale specific tool KT020/ through the bottom clamp, into the head tube, and out the upper clamp.
5. Make sure the plastic ring (6) is on the stem. Insert the bottom of the stem-steerer onto the top of the tool.
6. Remove the cap (1) from the top of the steerer. Use a rubber mallet to drive the stem-steerer into the head tube until it stops. Return the cap (1).
7. Clean and apply grease to the steerer bolt threads and install into the bottom of the stem-steerer. Align handlebar and tighten the bolt to 9 N•m.
- 8.. Tighten the upper and lower clamp bolts to 9 N•m.

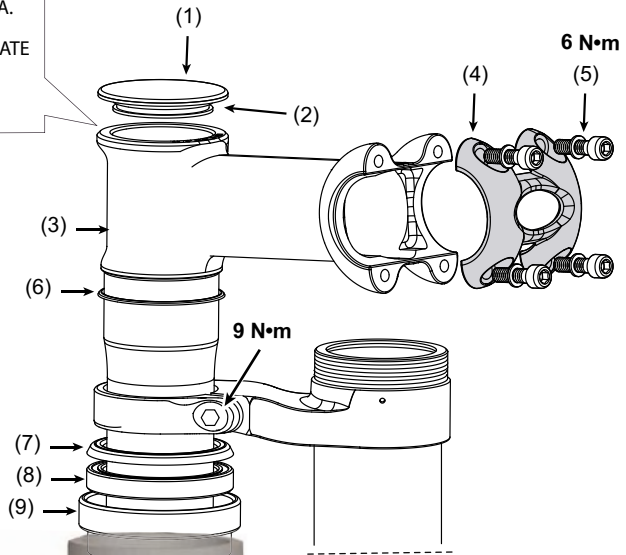
Removal

- 1 Loosen upper and lower clamp bolts.
2. Remove steerer bolt (10).
3. Insert the small end of KT020/ into the bottom of the stem-steerer and drive the stem-steerer up out of the head tube.





- 1 Cap
- 2 O-Ring (lubricate)
- 3 Stem
- 4 Handlebar clamp
- 5 Clamp bolts
- 6 Plastic ring
- 7 Seal
- 8 Upper Bearing
- 9 Bearing cup
- 10 Steerer bolt



Notes:

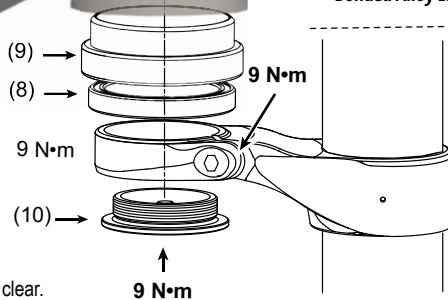
1. Ensure that the plastic ring (6) is on the stem before inserting into head tube.
2. When you tighten or loosen the steerer bolt (10), be sure to loosen the lower clamp bolt and insert the 5mm Allen key completely to avoid stripping the steerer bolt.
3. The XC3 SI stem is only compatible with Carbon and Bonded Alloy Lefties.



WARNING

The steerer bolt (10) is a structural part and must be installed. Follow installation instructions.

HEADTUBE



Keep the drain hole in (10) clear.